

MWPS-72427

Beef Layout Outside Feeding

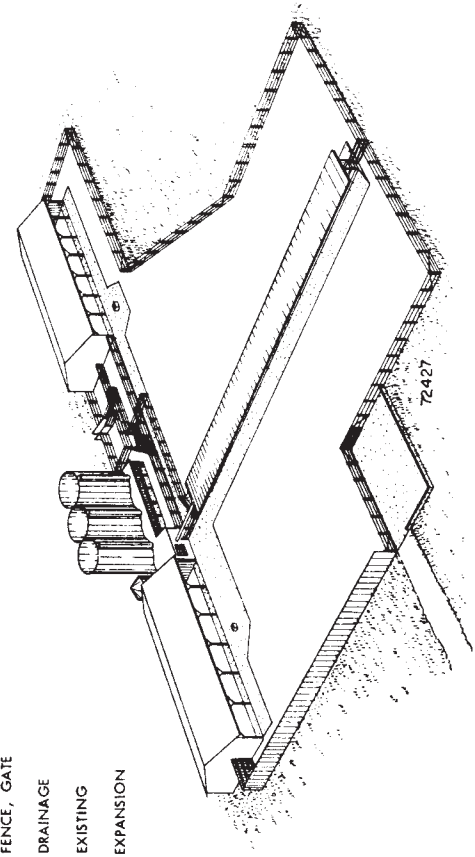
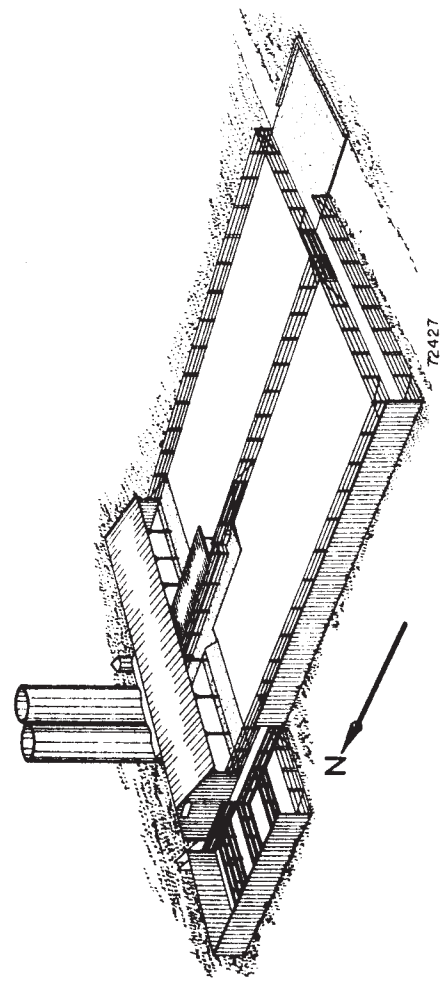
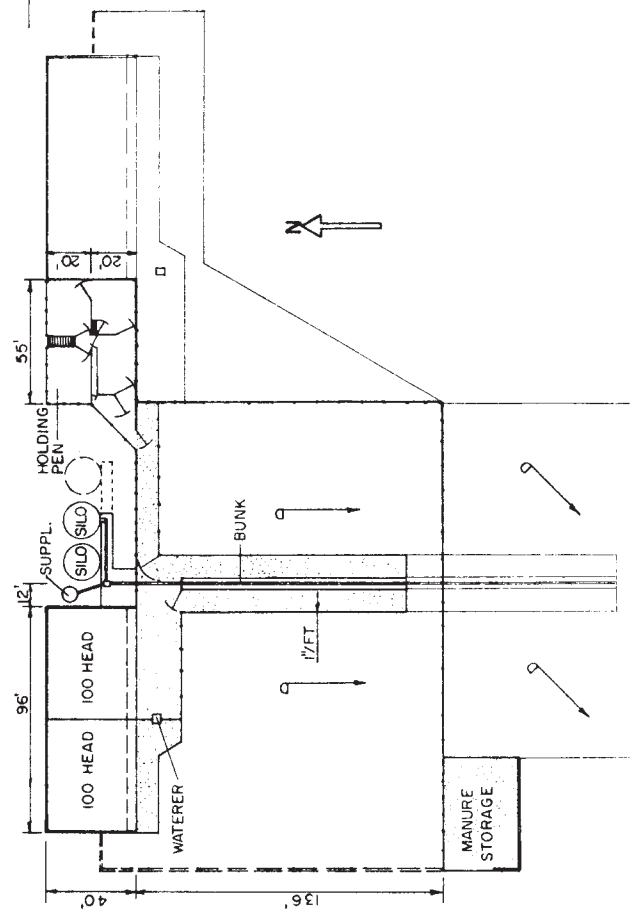
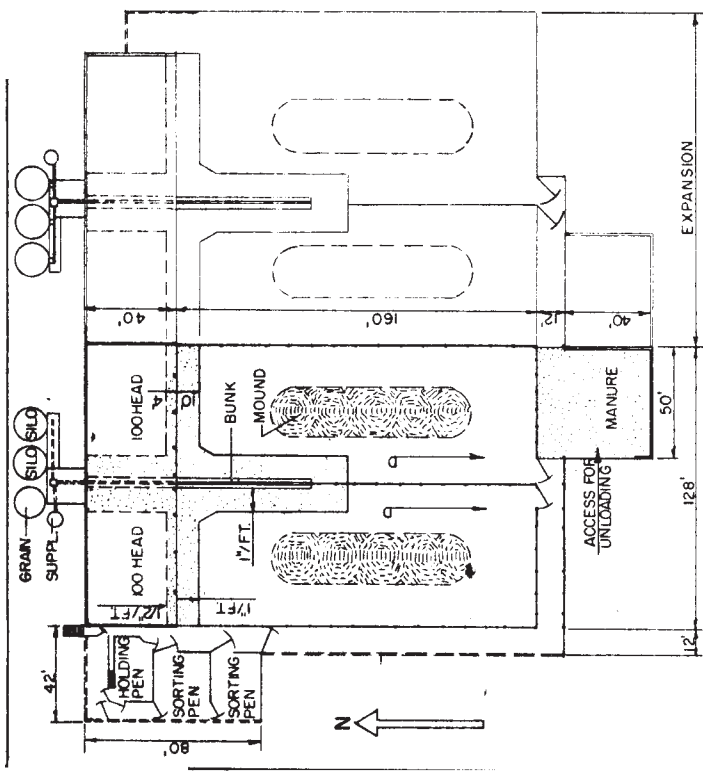
CAUTION!

Additional professional services will be required to tailor this plan to your situation, including but not limited to: assurance of compliance with codes and regulations; review of specifications for materials and equipment; supervision of site selection, bid letting and construction; and provision for utilities, waste management, roads or other access. **Furthermore, any deviation from the given specifications may result in structural failure, property damage, and personal injury including loss of life.**

WARRANTY DISCLAIMER

This plan provides conceptual information only. **Neither midwest plan service nor any of the cooperating land-grant universities, or their respective agents or employees, have made, and do not hereby make, any representation, warranty or covenant with respect to the specifications in this plan.** Additional professional services will be required to tailor this plan to your situation, including but not limited to: assurance of compliance with codes and regulations; review of specifications for materials and equipment; supervision of site selection, bid letting and construction; and provision for utilities, waste management, roads or other access.

MIDWEST PLAN SERVICE
Cooperative Extension Work in Agriculture and Home Economics and Agricultural Experiment Stations of North Central Region - USDA Cooperating
Beef Layout Outside Feeding
Title Page
MIDWEST PLAN NO. 72427



- WINDBREAK
- PAYEMENT
- SHED
- FENCE, GATE
- DRAINAGE
- EXISTING
- EXPANSION

SHEET 4: 40' SPAN TRUSSES

MIDWEST PLAN SERVICE
 Cooperative Extension Work in
 Agriculture and Home Economics
 and Agricultural Experiment Stations
 of North Central Region - USDA, Cooperating

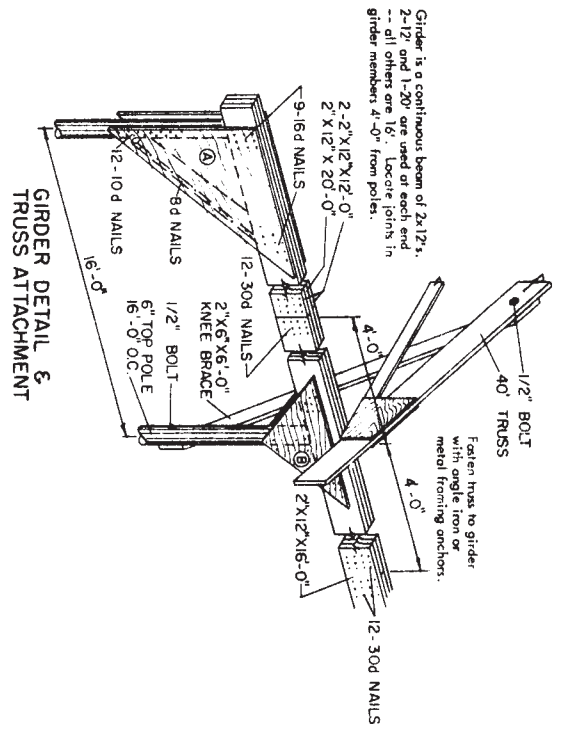
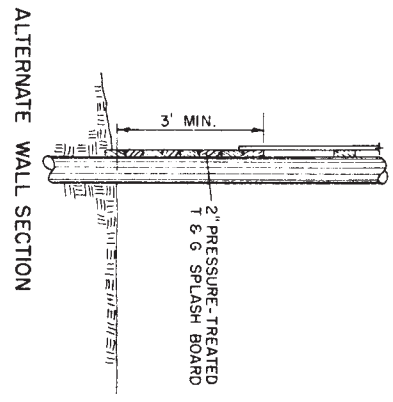
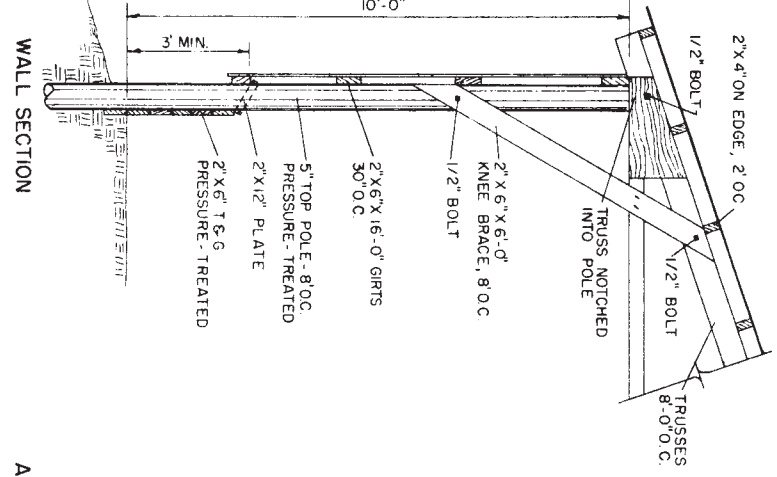
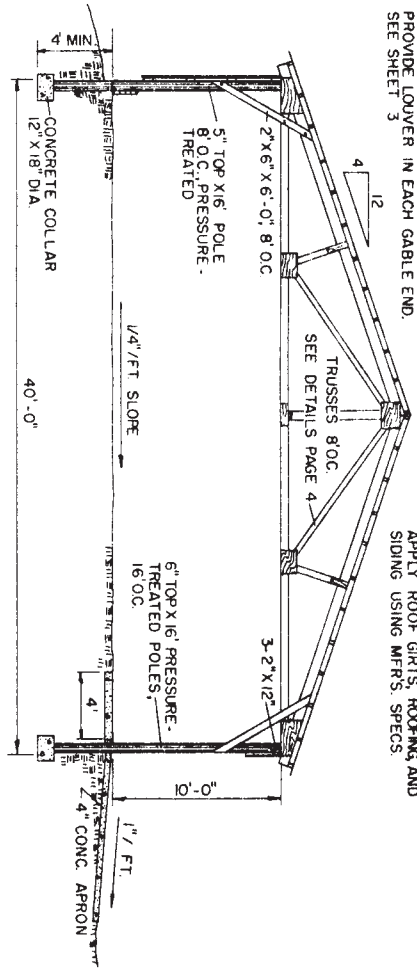
BEEF LAYOUT
OUTSIDE FEEDING

Sheet 1 of 4 Sheets
 MIDWEST PLAN NO. 72427

Copyright © 1964 Midwest Plan Service

LEAVE EAVES OPEN FOR VENTILATION.
PROVIDE LOUVER IN EACH GABLE END.
SEE SHEET 3

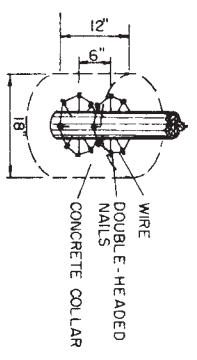
APPLY ROOF GIRTS, ROOFING AND
SIDING USING M.F.R.'S. SPECS.



GIRDER DETAIL & TRUSS ATTACHMENT

BILL OF MATERIALS FOR 72427

ITEM	DESCRIPTION	NO.	FBM
FOUNDATION & FLOOR	Concrete Foundation - 14'-128'	22	
	Pole Collars - 35 poles	14	
SIDEWALLS & ENDWALLS	Poles	25	
	5" Top x 16'	10	
	6" Top x 16'	22	132
	2" x 6' x 6'	16	256
	2" x 12" x 8'	1670	
	54'-ft. Siding	78	
	2" x 6" T & G Splashboard	78	
	2" x 6" x 16' Girts	52	
	Louvers	2	832
TRUSSES --- See Sheet 4			
ROOF & CEILING	2" x 4" on Edge Girts	5720	Consult mfgs.
	Roofing	54'-ft.	
EQUIPMENT	Bunk	See Sheet 3	



POLE CONCRETE COLLAR

SHEET 4. 40' SPAN TRUSSES

MIDWEST PLAN SERVICE

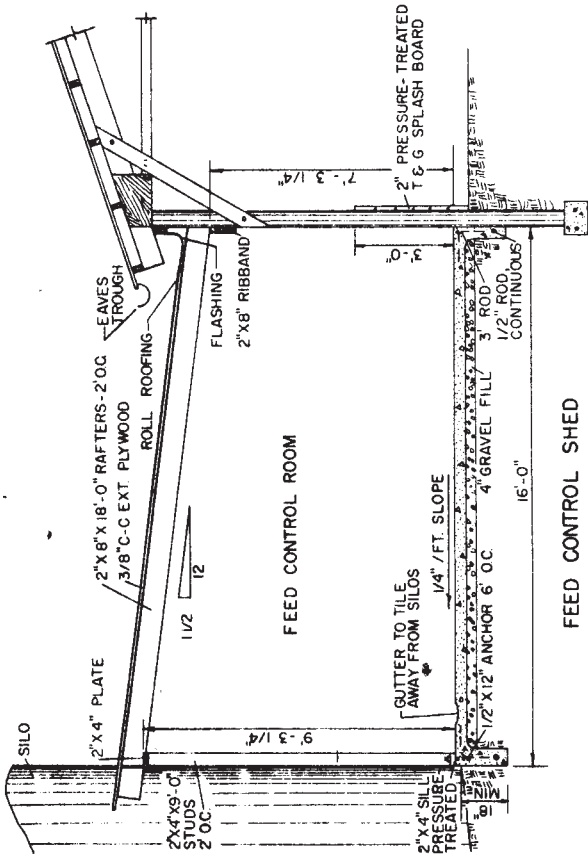
Cooperative Extension Work in
Agriculture and Home Economics
and Agricultural Experiment Stations
of North Central Region - USDA Cooperating

**BEEF LAYOUT
OUTSIDE FEEDING**

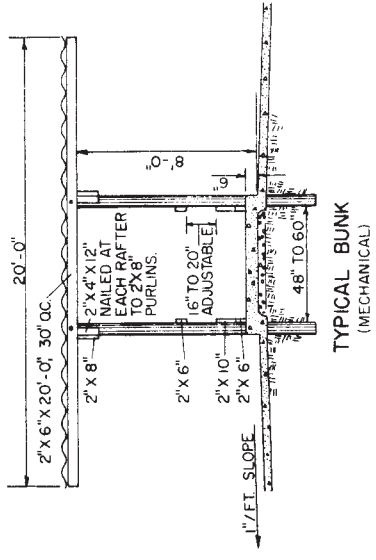
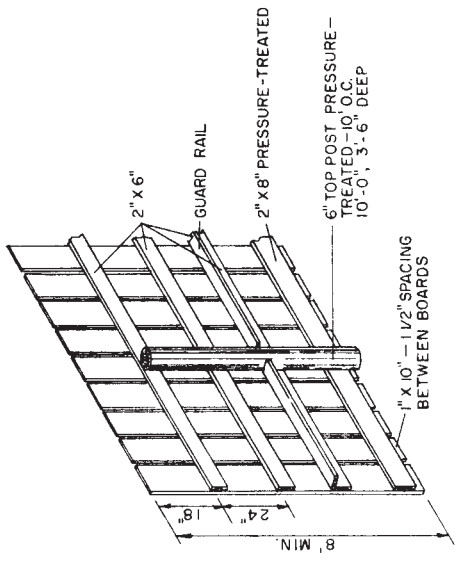
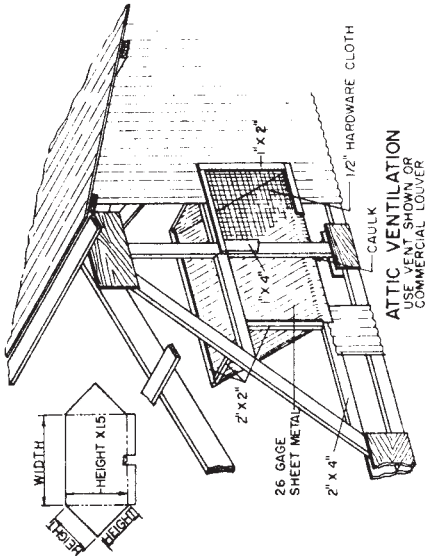
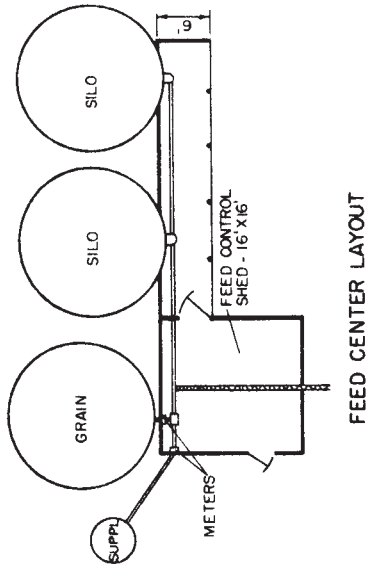
Sheet 2 of 4 Sheets

MIDWEST PLAN NO. **72427**

Copyright © 1964 Midwest Plan Service



FEED CONTROL SHED



SHEET 4 - 40' SPAN TRUSSES
MIDWEST PLAN SERVICE
 Cooperative Extension Work in
 Agriculture and Home Economics
 and Agricultural Experiment Stations
 of North Central Region - USDA, Cooperative
BEEF LAYOUT
OUTSIDE FEEDING
 Sheet 3 of 4 Sheets
 MIDWEST PLAN NO. 72427
 Copyright © 1964 Midwest Plan Service

80% SOLID WINDBREAK