

MWPS-72508

12' x 16' Portable Lambing Feeding Shed

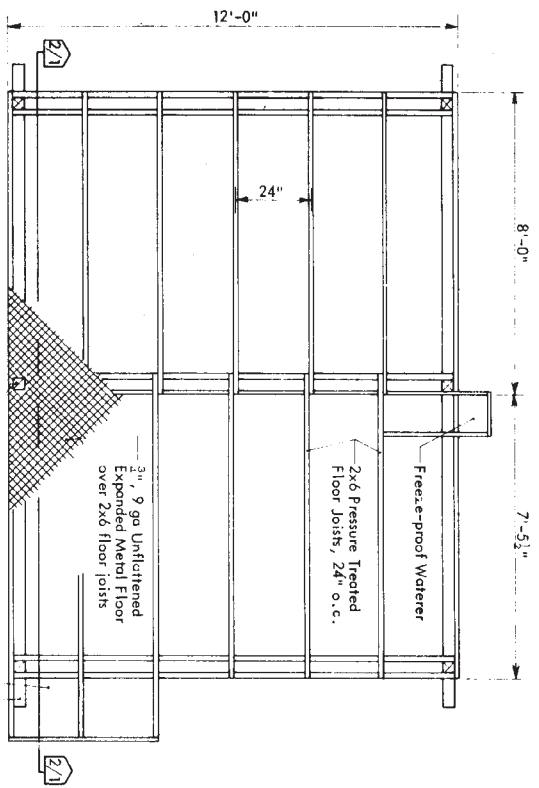
CAUTION!

Additional professional services will be required to tailor this plan to your situation, including but not limited to: assurance of compliance with codes and regulations; review of specifications for materials and equipment; supervision of site selection, bid letting and construction; and provision for utilities, waste management, roads or other access. **Furthermore, any deviation from the given specifications may result in structural failure, property damage, and personal injury including loss of life.**

WARRANTY DISCLAIMER

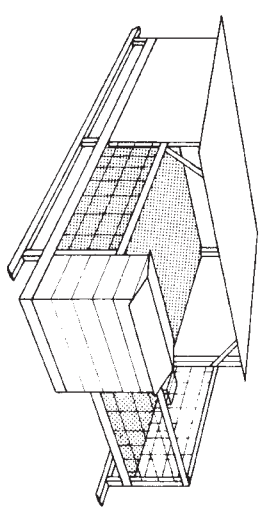
This plan provides conceptual information only. **Neither midwest plan service nor any of the cooperating land-grant universities, or their respective agents or employees, have made, and do not hereby make, any representation, warranty or covenant with respect to the specifications in this plan.** Additional professional services will be required to tailor this plan to your situation, including but not limited to: assurance of compliance with codes and regulations; review of specifications for materials and equipment; supervision of site selection, bid letting and construction; and provision for utilities, waste management, roads or other access.

MIDWEST PLAN SERVICE
Cooperative Extension Work in Agriculture and Home Economics and Agricultural Experiment Stations of North Central Region - USDA Cooperating
12'x16' Portable Lamb Feeding Shed
Title Page
MIDWEST PLAN NO. 72508

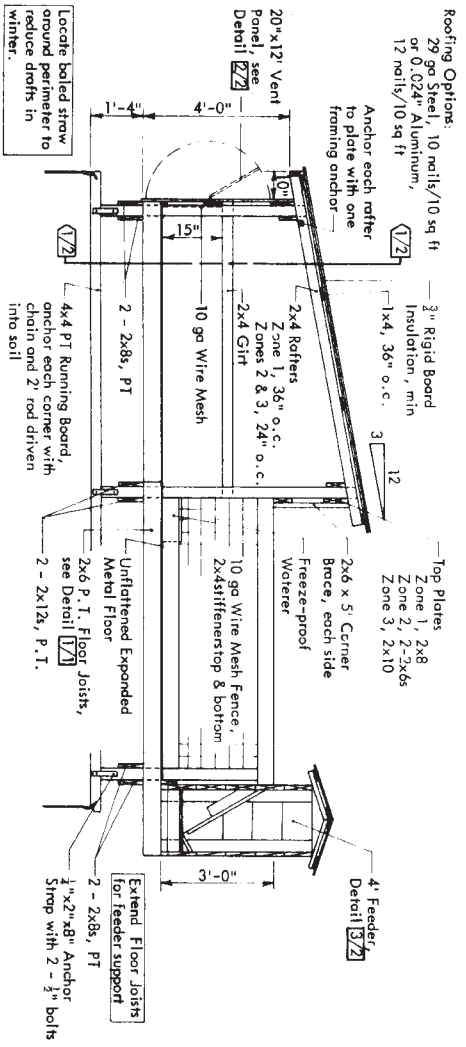


FLOOR FRAMING—1/1

Orient building away from prevailing winter winds to reduce drafts and snow blow-in.



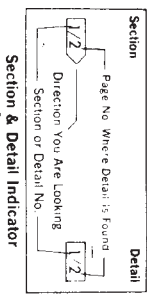
See **MMP3-3, Sheep Housing and Equipment Handbook**, for additional information.



LONGITUDINAL SECTION—2/1

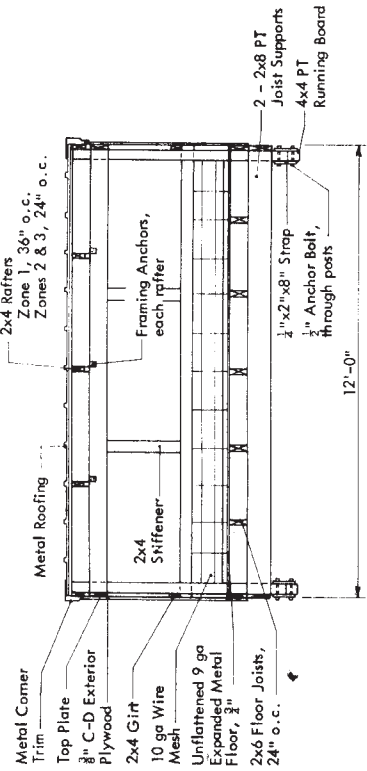
MMP3 MIDWEST PLAN SERVICE			
Cooperative Extension & Research in Agriculture & Home Economics in the 12 North Central Universities—USDA Cooperating			
12' x 16' Portable Lamb Feeding Shed			
24 Feeder Lambs			
2 Pages	Plan No. 72508	Page	1 of 2

Copyright © 1978 Midwest Plan Service, Ames, IA 50011

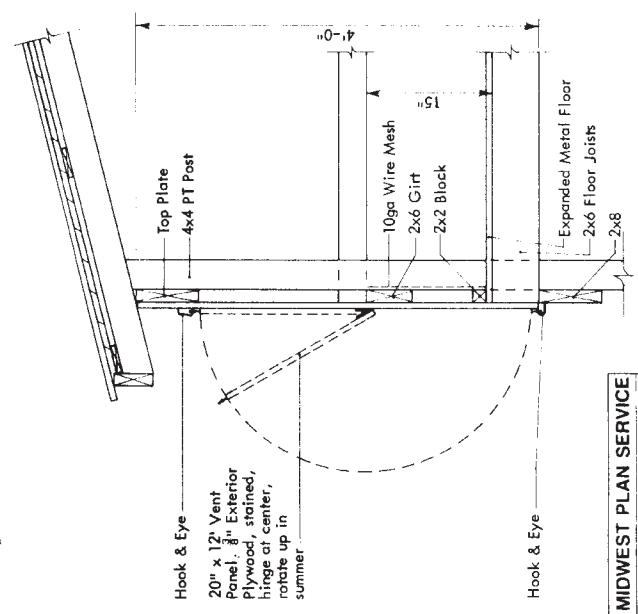


Section Page No. Where Detail is Found
Detail Direction You Are Looking
 Section or Detail No.

Lumber Specifications
 Roof/Purlins and Wall Girts
 Pressure-Treated Lumber (Douglas Fir or Southern Pine)
 Rafters and Top Plates
 No. 1 or 1500F machine rated (Douglas Fir or Southern Pine)
 Posts, Floor Joists and Supports
 Pressure Preservative Treated (Southern Pine or equivalent) Creosote—10 pct.
 Penix—0.50 pct. ACA or CCA (Type A or B)—0.40 pct.



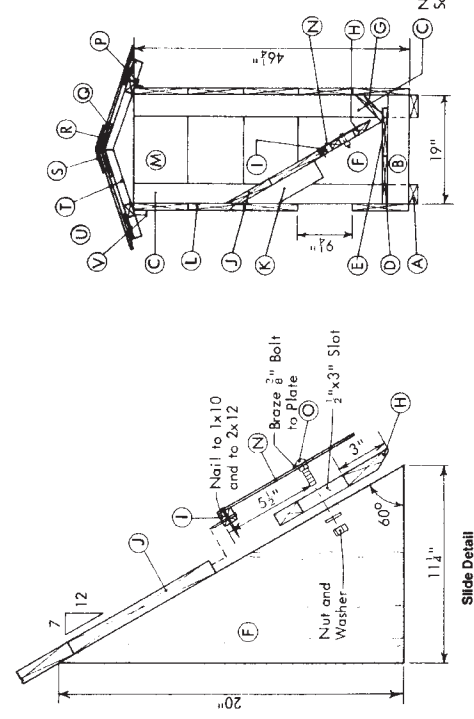
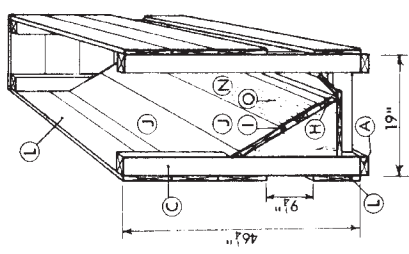
BUILDING CROSS SECTION—1/2



REAR VENT PANEL DETAIL—2/2

CUTTING LIST

Item	No.	Description
A	2	2x4 x 4'-0"
B	3	2x4 x 19"
C	4	2x4 x 3'-10 1/2"
D	1	1x10 x 4'-0"
E	2	1x8 x 4'-0"
F	2	2x12 x 20" cut
G	1	1x6 x 4'-0"
H	1	1x8 x 4'-0"
I	1	1x1 x 4'-0"
J	2	1x10 x 4'-0"
K	2	1x4 x 16"
L	9	1x10 x 4'-0"
M	10	1x10 x 20 1/2"
N	1	10" x 22ga x 4'-0"
O	4	3/8" x 1 1/4" Carriage Bolt
P	2	2" x 2" Hinge
Q	4	1x4 x 4'-0"
R	1	Metal Cover
S	1	Cap & Closure Strip
T	6	2x2 x 16"
U	2	2x2 x 48"
V	2	Hook & Eye



SINGLE SIDED FEEDER DETAILS—3/2