

MWPS-73258

10,000 Bu. Gable Grain Storage

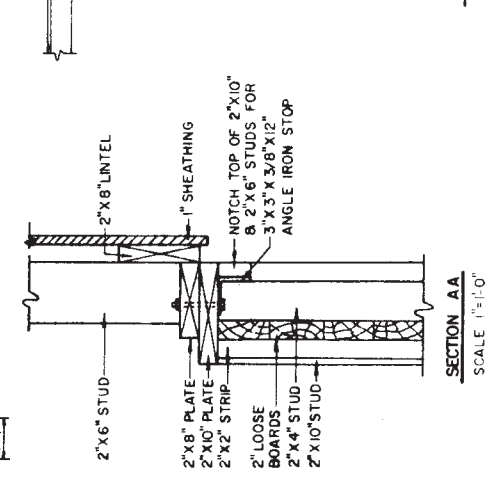
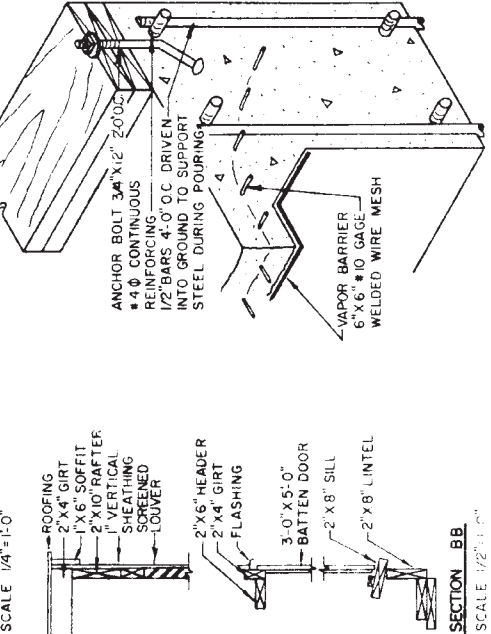
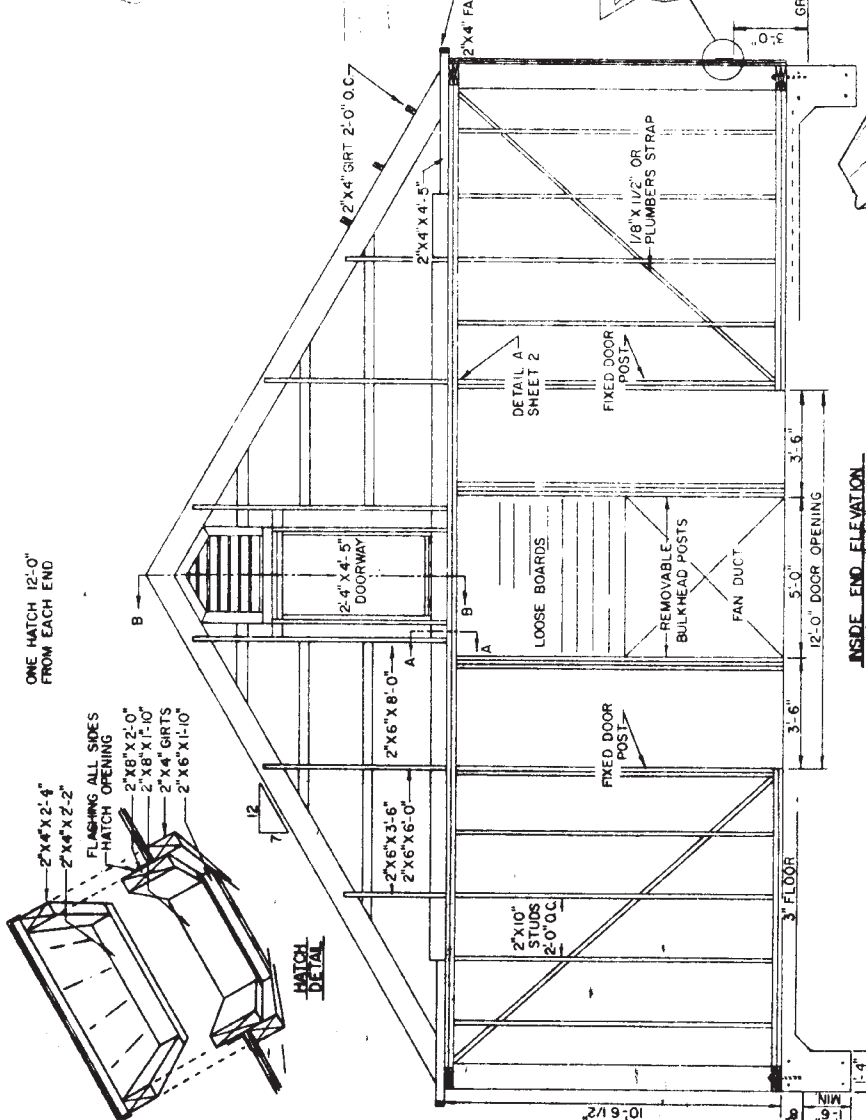
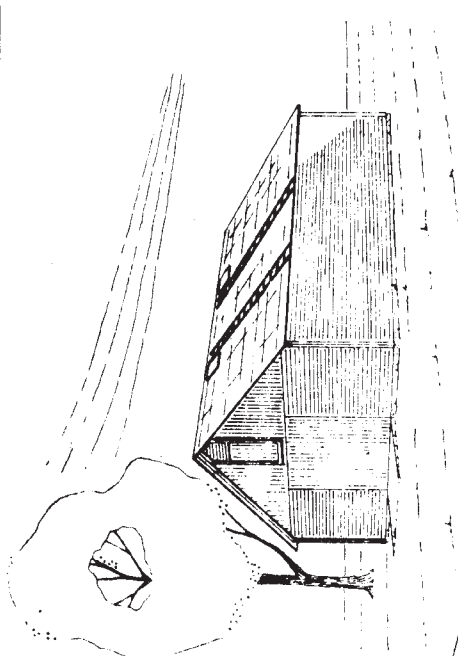
CAUTION!

Additional professional services will be required to tailor this plan to your situation, including but not limited to: assurance of compliance with codes and regulations; review of specifications for materials and equipment; supervision of site selection, bid letting and construction; and provision for utilities, waste management, roads or other access. **Furthermore, any deviation from the given specifications may result in structural failure, property damage, and personal injury including loss of life.**

WARRANTY DISCLAIMER

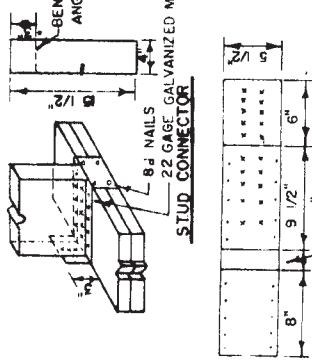
This plan provides conceptual information only. **Neither midwest plan service nor any of the cooperating land-grant universities, or their respective agents or employees, have made, and do not hereby make, any representation, warranty or covenant with respect to the specifications in this plan.** Additional professional services will be required to tailor this plan to your situation, including but not limited to: assurance of compliance with codes and regulations; review of specifications for materials and equipment; supervision of site selection, bid letting and construction; and provision for utilities, waste management, roads or other access.

MIDWEST PLAN SERVICE
Cooperative Extension Work in Agriculture and Home Economics and Agricultural Experiment Stations of North Central Region - USDA Cooperating
10,000 Bu. Gable Grain Storage
Title Page
MIDWEST PLAN NO. 73258

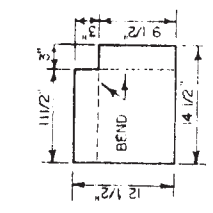


NOTES
 1. IN AREAS WHERE PROOF LEAKING IS KNOWN TO BE PREVALENT, EX-
 TENSIVE PROOFING MATERIALS SHOULD BE USED.
 2. PLUMBERS STRAP BRACES AND FIXED SHEATHING MAY BE REPLACED
 WITH 1/2" PLYWOOD SHEATHING IF BOARD BORIZONTAL SIDING
 IS USED.
 3. ROOFING AND SIDING TYPES OPTIONAL. APPLY TO MRS. GIBBS.
 4. ROOFING: SHEET ALL GUTTERS 4-INCHES WIDE AND
 ROOFING: PLACE 1/4" MIN. 3/4" HARDWARE CLOTH OVER
 SHEATHING AND SIDING AND 2" WIDE 20 GAUGE GALVANIZED METAL
 SHIELD 3" ABOVE GRADE CONTIGUOUS AROUND BUILDING. THE
 AND SHIELD MAY BE OBTAINED BY ORDERING TO ROOFER/ROOF.
 5. LENGTH OF BUILDING MAY BE INCREASED BY 2' INCREMENTS. 2000
 BU. CAPACITY PER INCREMENT. DESIGN SYSTEMS AND AUGMENT
 PER SIZE SHOWN.

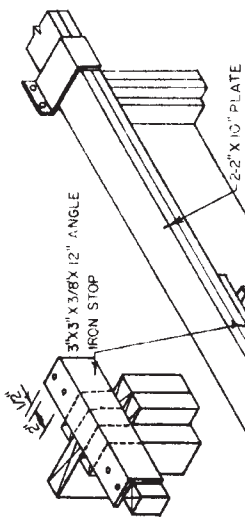
MIDWEST PLAN SERVICE	
COOPERATIVE EXTENSION WORK IN AGRICULTURE AND HOME ECONOMICS UNIVERSITY OF NEBRASKA NORTH CENTRAL REGION USDA COOPERATING	
5028	10,000 BU. GABLE GRAIN STORAGE
SHEET 1 OF 4 SHEETS	
MIDWEST PLAN NO. 73258	
CLAYTON, ILL. MIDWEST PLAN SERVICE	



STUD CONNECTOR

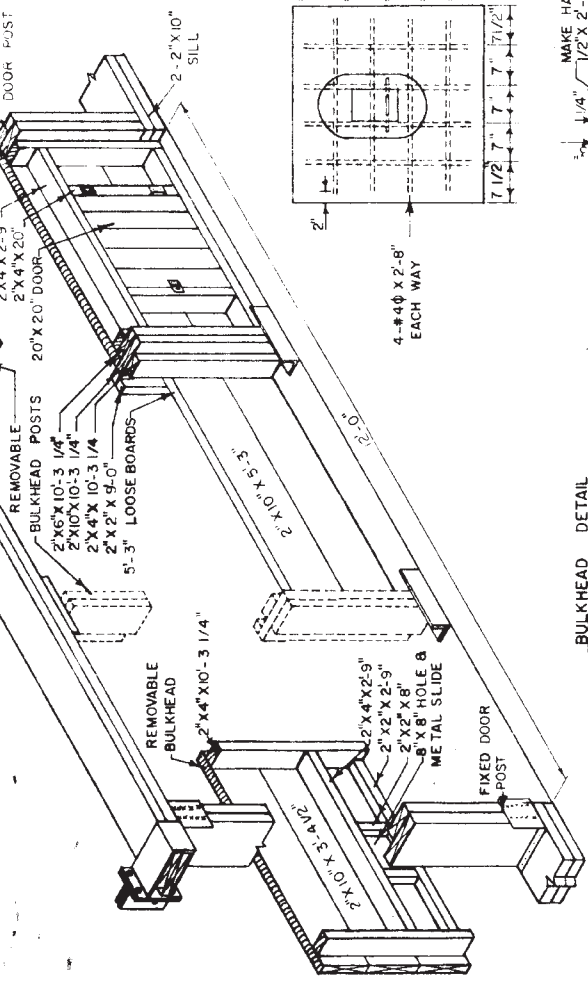


BEND AT RIGHT ANGLE

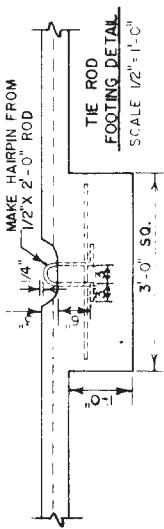


FIXED DOOR POST CONNECTOR DETAIL

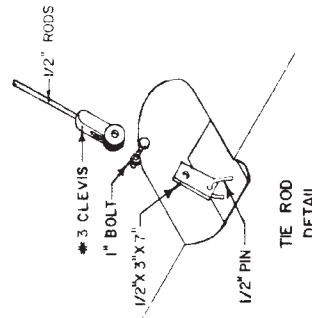
NOTE: BEND CONNECTORS AT RIGHT ANGLES AS SHOWN. NAIL TO EACH END AND OUTSIDE EDGES OF STUDS SHOWN BY X'S. NAIL CONNECTORS TO SILL & PLATE AS SHOWN BY DOTS.



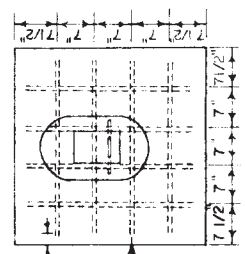
BULKHEAD DETAIL



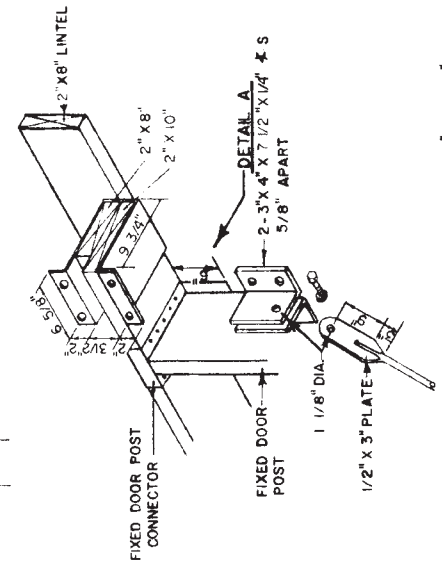
TIE ROD FOOTING DETAIL



TIE ROD DETAIL



DOOR DETAIL



FIXED DOOR POST CONNECTOR

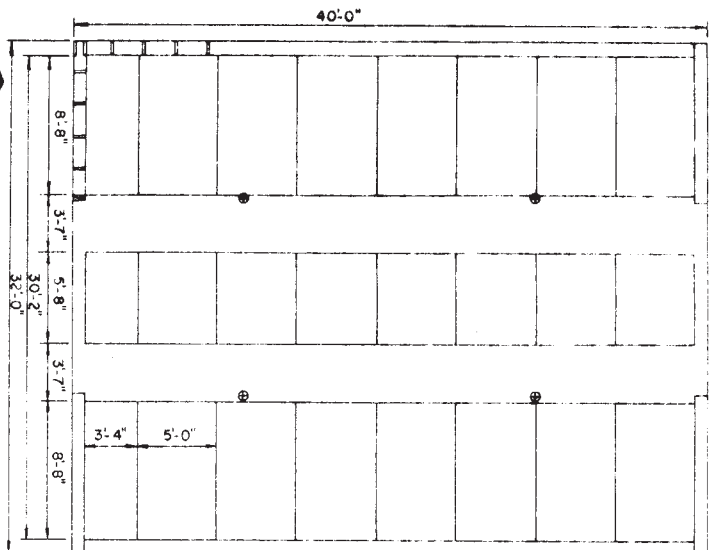
SLOT IN FLOOR 3" DEEP, 6" WIDE, 9" LONG, HAIR PIN 2" FROM END, 1/4" BELOW FINISH FLOOR.

ITEM	DESCRIPTION	QTY	UNIT
1	CONCRETE	1	CU YD
2	STEEL	1	TON
3	BRICK	1	1000
4	CEMENT	1	TON
5	ROOFING	1	SQ YD
6	INSULATION	1	CUBIC FT
7	GLASS	1	SQ FT
8	PAINT	1	QUART
9	WATER	1	TON
10	ELECTRICITY	1	MONTH
11	LABOR	1	DAY
12	TRUCK	1	TRIP
13	SALES TAX	1	PERCENT
14	PROFIT	1	PERCENT
15	TOTAL		

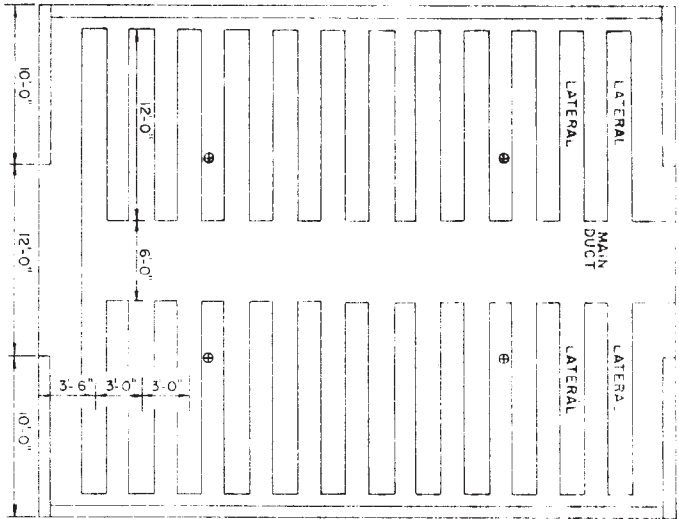
MIDWEST PLAN SERVICE
 COOPERATIVE EXTENSION WORK IN
 AGRICULTURE AND HOME ECONOMICS
 AND AGRICULTURAL EXPERIMENT STATIONS
 OF NORTH CENTRAL REGION, U.S.D.A. COOPERATING

**10,000 BU., GABLE
 GRAIN STORAGE**

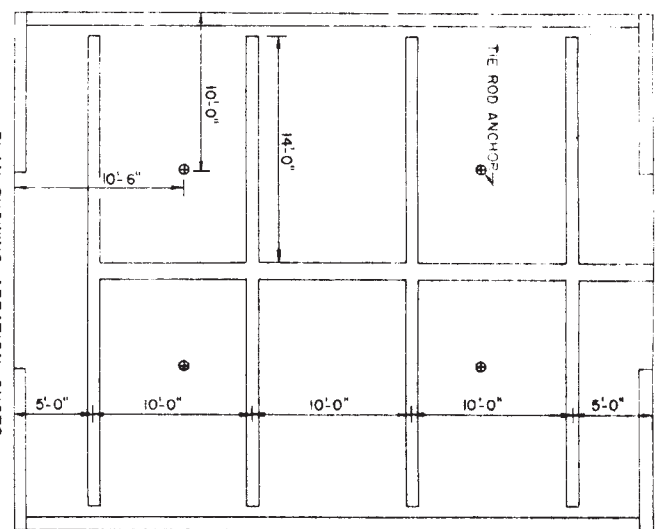
Sheet 2 of 4 Sheets
 MIDWEST PLAN NO. 73258



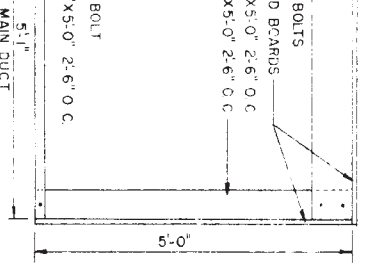
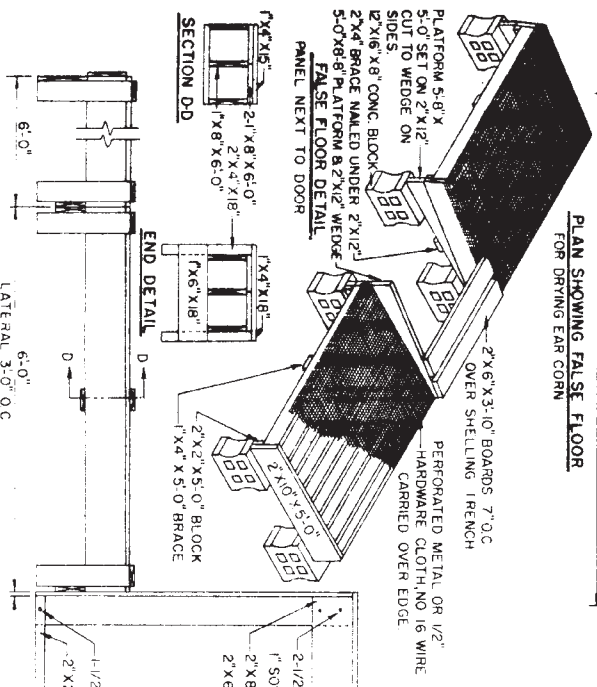
PLAN SHOWING FALSE FLOOR FOR DRYING EAR CORN



PLAN SHOWING DRYING DUCTS FOR DRYING EAR OR SHELL-ED CORN OR SMALL GRAINS

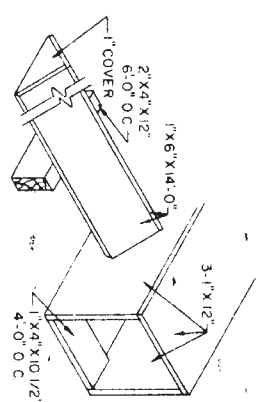


PLAN SHOWING AERATION DUCTS IF OTHER DRYING IS NOT INSTALLED



GRAIN REQUIREMENTS
UNDETERMINED A.M., 10,000 BU.

GRAIN	DEPTH FT.	AIR C.M.	MIN. WATER	APPROX. H.P.
WHEAT & SORGHUM	4	12000	1.2	5
18	4	18000	2.3	15
16	4	18000	2.3	3
15	5	10000	1.5	12
14	5	10000	2.5	7
13	5	12000	2.5	1 1/2
12	5	12000	2.5	3
11	5	12000	1.7	10
10	5	12000	1.5	19
9	5	12000	1.5	7 1/2
8	5	12000	1.5	2
7	5	12000	1.5	2
6	5	12000	1.5	2
5	5	12000	1.5	2
4	5	12000	1.5	2
3	5	12000	1.5	2
2	5	12000	1.5	2
1	5	12000	1.5	2



MIDWEST PLAN SERVICE
COOPERATIVE EXTENSION WORK IN
AGRICULTURE AND HOME ECONOMICS
OF NORTH CENTRAL REGION USDA COOPERATING

10000 BU. GABLE
GRAIN STORAGE

5028 SHEET 3 OF 4 SHEETS
MIDWEST PLAN NO. 73258

DRYING DUCTS
SCALE 1/2" = 1'-0"

5028 SHEET 3 OF 4 SHEETS
MIDWEST PLAN NO. 73258