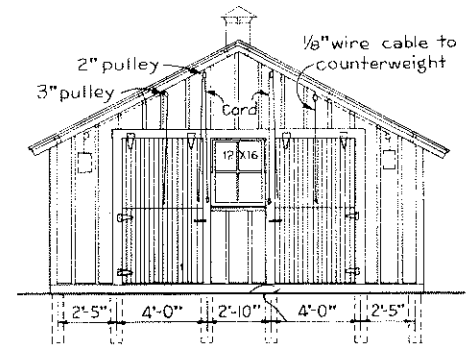
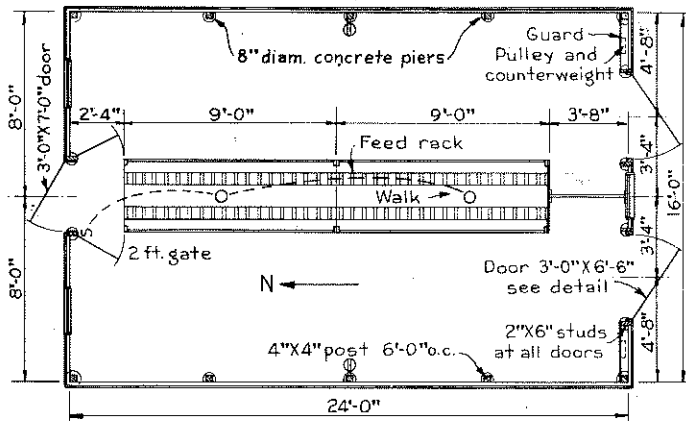


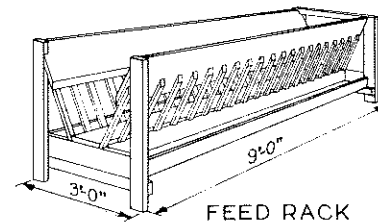
PERSPECTIVE



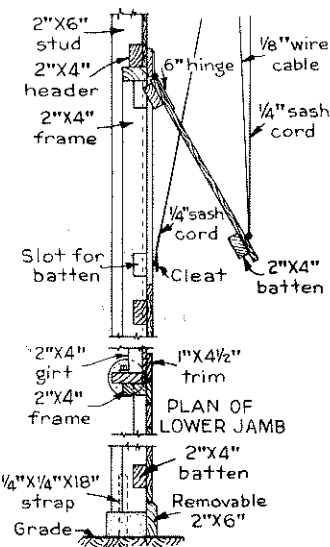
SOUTH ELEVATION
Scale 1/4" = 1'-0"



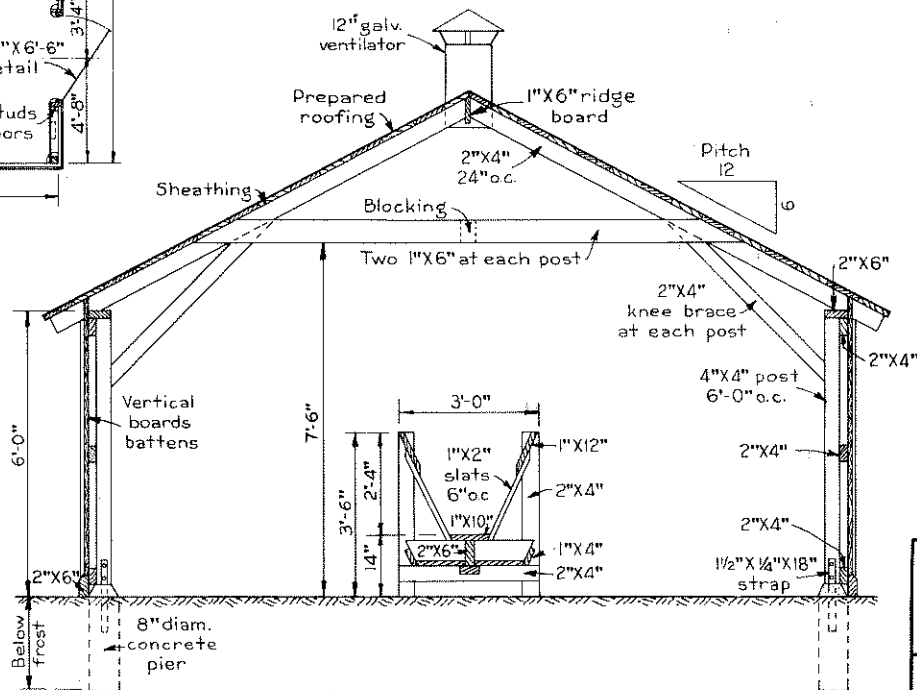
PLAN
Scale 1/4" = 1'-0"



FEED RACK



SECTION OF SOUTH DOOR
Scale 3/4" = 1'-0"



CROSS SECTION
Scale 1/2" = 1'-0"

BILL OF MATERIALS

CONCRETE

3 sacks cement 9 cu. ft. sand 15 cu. ft. gravel

LUMBER

5-4"X4"X12'-0" 8-2"X6"X10'-0" 5-2"X6"X12'-0"
 5-2"X6"X14'-0" 2-2"X4"X12'-0" 32-2"X4"X10'-0"
 24-2"X4"X14'-0" 2-2"X4"X16'-0" 8-1"X12"X10'-0"
 26-1"X12"X12'-0" 16-1"X12"X16'-0" 2-1"X10"X10'-0"
 8-1"X6"X12'-0" 40-1"X3"X12'-0" 16-1"X3"X16'-0"
 5-1"X4"X10'-0" 4-1"X4"X14'-0" 2-1"X4"X16'-0"

220-lin. ft. 1"X2" 620-ft. BM sheathing (roof)

200-ft. BM 1"X4" T & G flooring (doors)

MISCELLANEOUS

6-squares roofing 2-sash 4 lights 10"X12"
 32-bolts 1/2"X4 1/2" 1-sash 4 lights 12"X16"
 5-hasps 5 1/2 pairs 6" T hinges
 8-2" pulleys, with hooks 1-12" galv. ventilator hood
 2-20 lb. counterweights.
 30-lin. ft. 1/8" wire cable 25-lin. ft. 1/4" sash cord.
 16-pieces strap iron 1 1/2"X 1/4"X18"
 8-lbs. 6d nails 50-lbs. 8d nails 12-lbs 16d nails.

COOPERATIVE EXTENSION WORK IN
AGRICULTURE AND HOME ECONOMICS
 STATE OF NORTH DAKOTA
 NORTH DAKOTA AGRICULTURAL COLLEGE
 AND
 UNITED STATES DEPARTMENT OF AGRICULTURE COOPERATING

SHEEP SHED

USDA EX. 5019 SHEET 1 OF 1