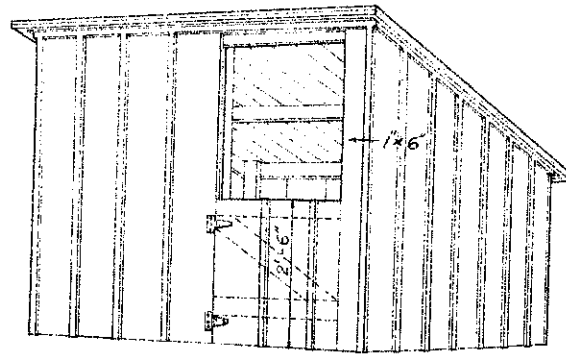
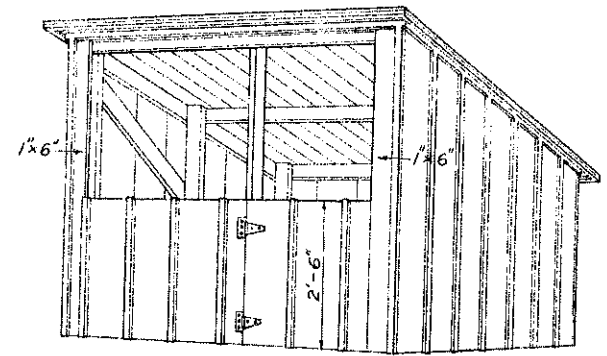


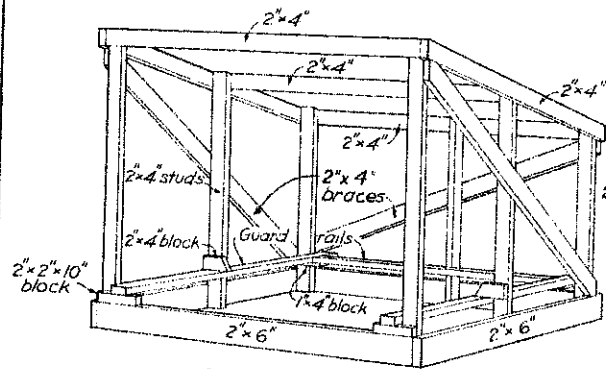
OPEN FRONT



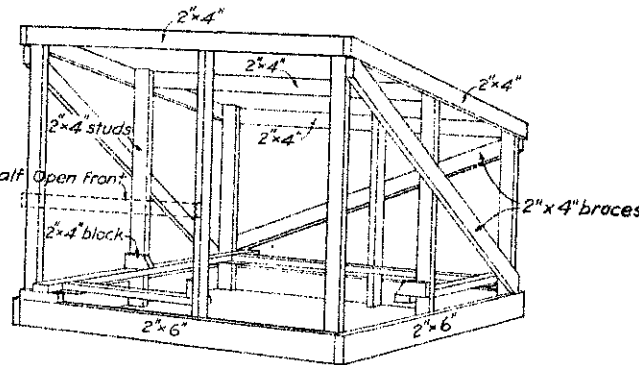
CLOSED FRONT
HALF HEIGHT DOOR



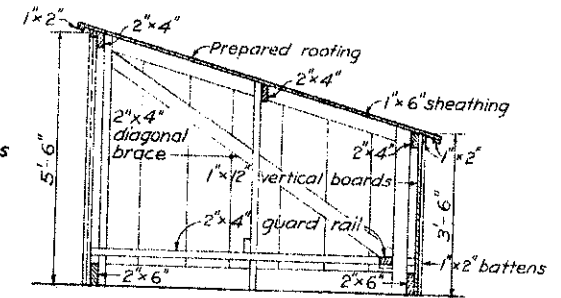
HALF OPEN FRONT
HALF HEIGHT DOOR



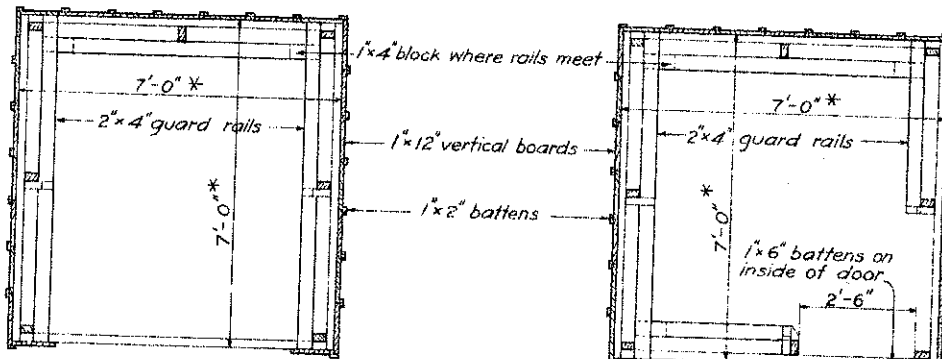
FRAMING
OPEN FRONT



FRAMING
CLOSED FRONT



SECTION A-A



PLAN
OPEN FRONT

PLAN
CLOSED FRONT

Scale: 1/2" = 1'-0"

NOTES: All framing members in contact with ground to be treated with creosote or other wood preservative.
Nail siding to all diagonal braces.
* For sows weighing more than 325 lbs. increase size of house to 8'-0" x 8'-0".

| | | |
|---------------------------------------------------------------------------------------------------------------------------------------------------------------------------------------------|----------|--------------|
| COOPERATIVE EXTENSION WORK IN AGRICULTURE AND HOME ECONOMICS STATE OF NORTH DAKOTA NORTH DAKOTA AGRICULTURAL COLLEGE AND UNITED STATES DEPARTMENT OF AGRICULTURE COOPERATING | | |
| INDIVIDUAL PORTABLE HOG HOUSE | | |
| USDA | EX. 5127 | SHEET 1 OF 1 |