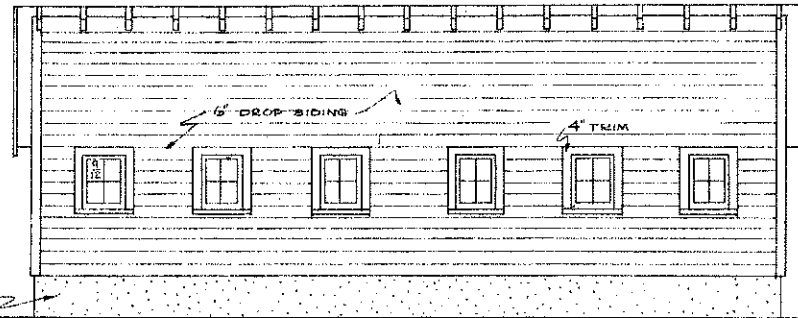


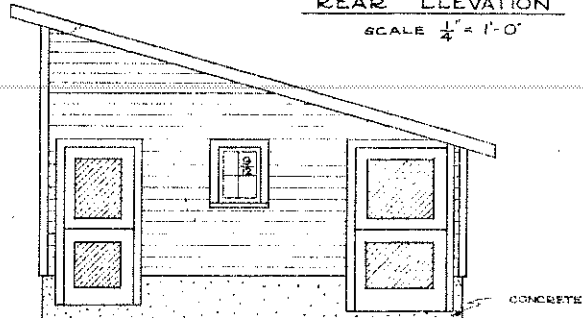
REAR ELEVATION

SCALE $\frac{1}{4}'' = 1'-0''$



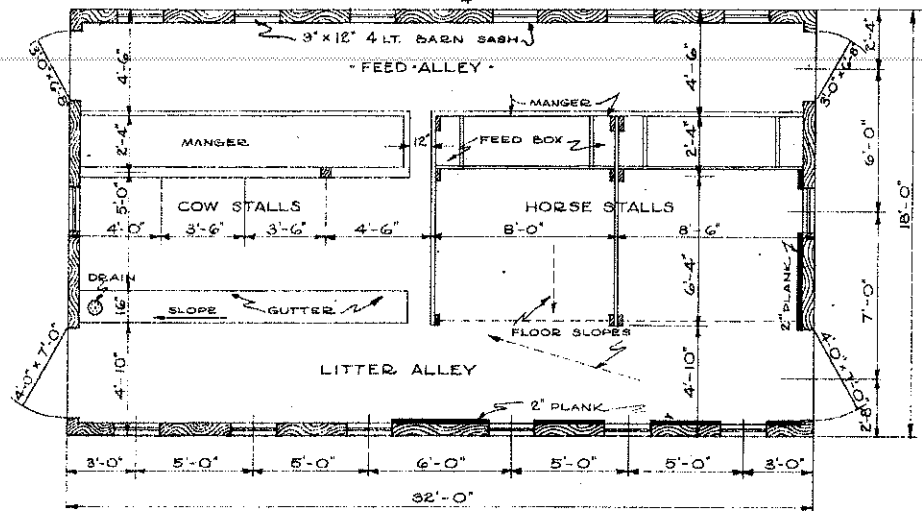
FRONT ELEVATION

SCALE $\frac{1}{4}'' = 1'-0''$



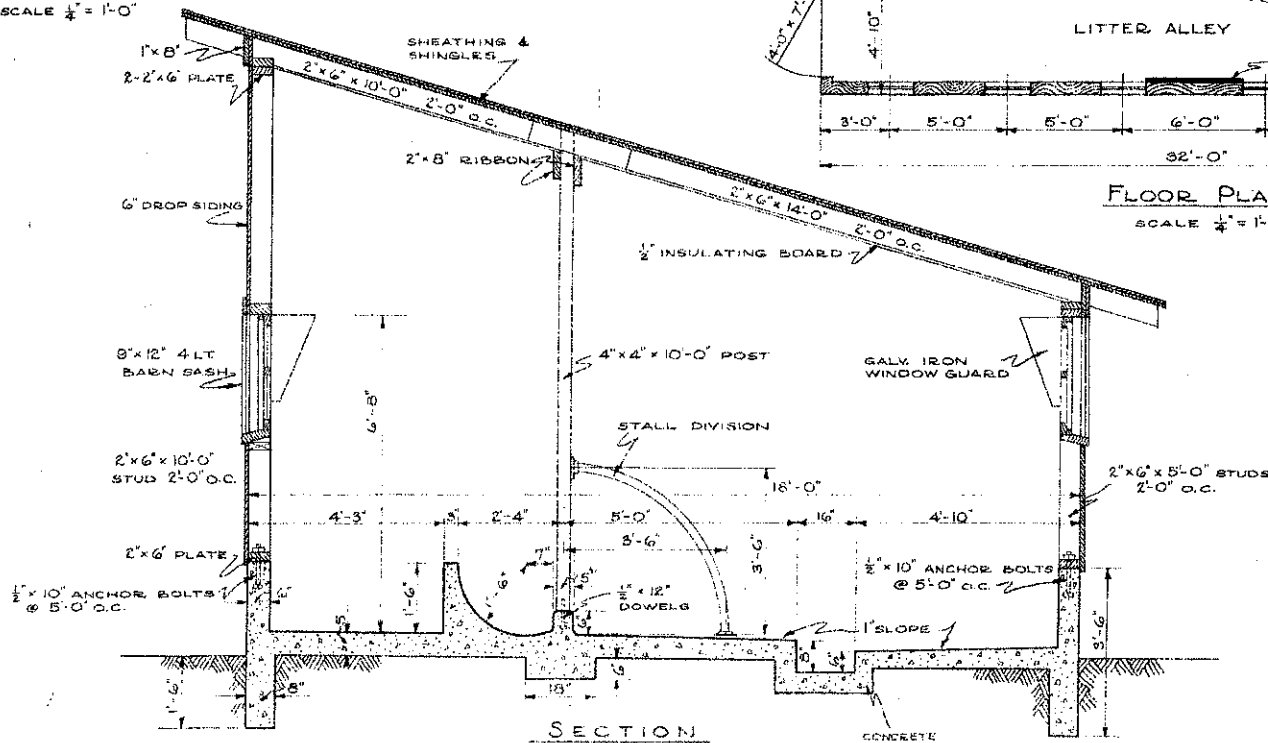
END ELEVATION

SCALE $\frac{1}{4}'' = 1'-0''$



FLOOR PLAN

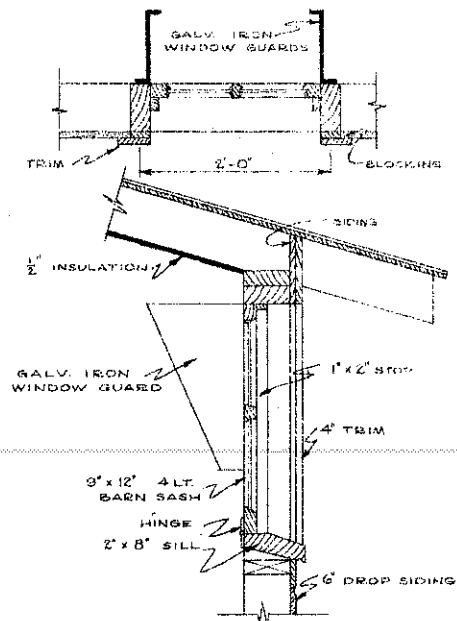
SCALE $\frac{1}{4}'' = 1'-0''$



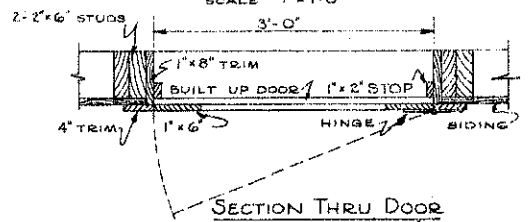
SECTION

SCALE $\frac{1}{2}'' = 1'-0''$

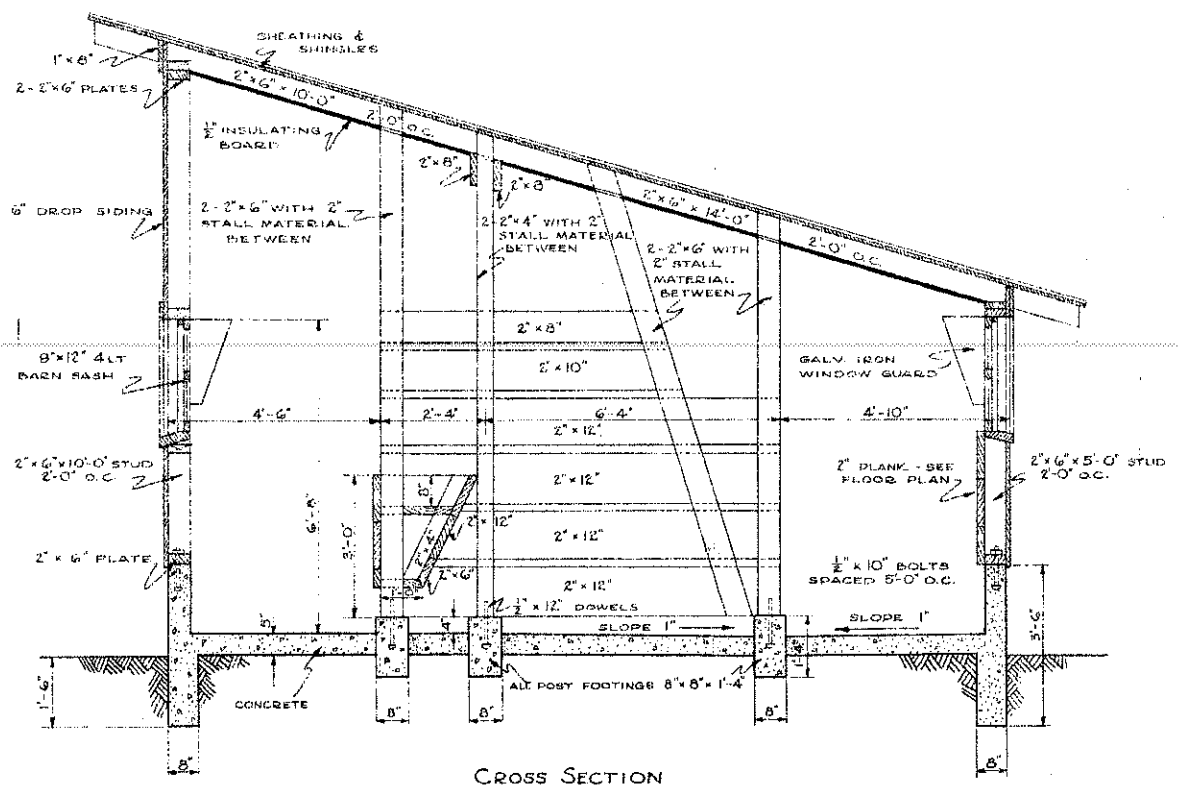
COOPERATIVE EXTENSION WORK IN
 AGRICULTURE AND HOME ECONOMICS
 STATE OF NORTH DAKOTA
 NORTH DAKOTA AGRICULTURAL COLLEGE
 AND
 U.S. DEPT. OF AGRICULTURE COOPERATING
 EXT. AGR'L. ENGINEER—FARGO, N. DAK.
GENERAL PURPOSE BARN
 MIDWEST 72102-33 EX. 5227 SHEET 1 of 2



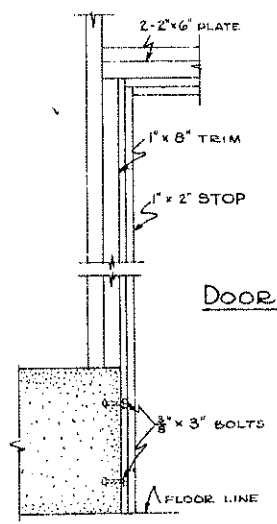
WINDOW DETAILS
SCALE 1" = 1'-0"



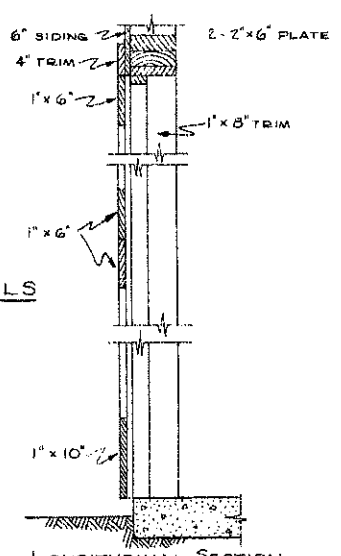
SECTION THRU DOOR
SCALE 1" = 1'-0"



CROSS SECTION
SCALE 1/2" = 1'-0"



FRONT VIEW OF FRAMING
SCALE 1" = 1'-0"



LONGITUDINAL SECTION
SCALE 1" = 1'-0"

COOPERATIVE EXTENSION WORK IN
 AGRICULTURE AND HOME ECONOMICS
 STATE OF NORTH DAKOTA
 NORTH DAKOTA AGRICULTURAL COLLEGE
 AND
 U. S. DEPT. OF AGRICULTURE COOPERATING
 EXT. AGR'L. ENGINEER - FARGO, N. DAK.
GENERAL PURPOSE BARN
 MIDWEST 72102-33 EX. 5228 SHEET 2 OF 2