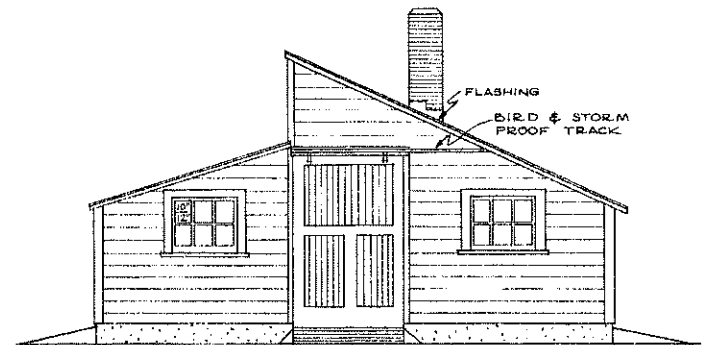
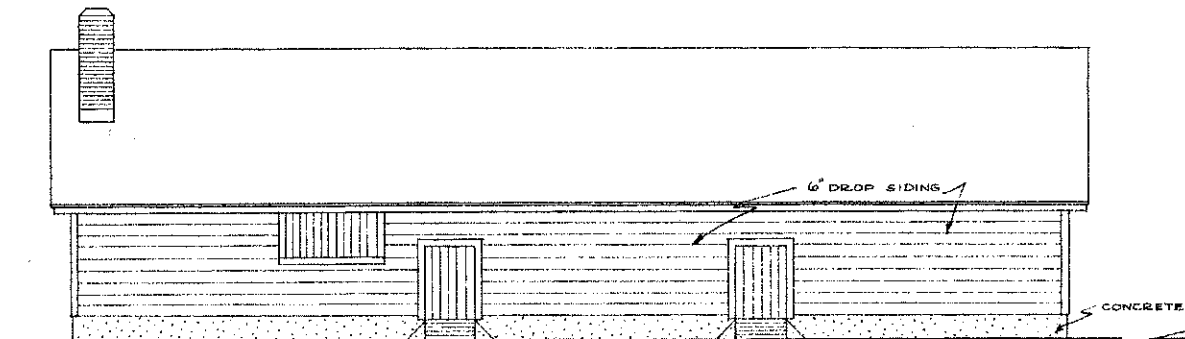




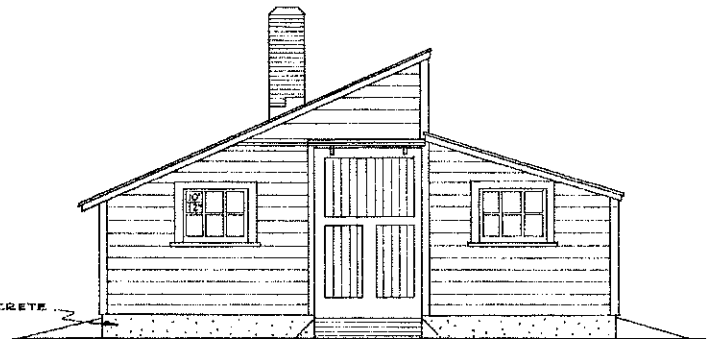
SOUTH ELEVATION  
SCALE  $\frac{1}{4}'' = 1'-0''$



EAST ELEVATION  
SCALE  $\frac{1}{4}'' = 1'-0''$

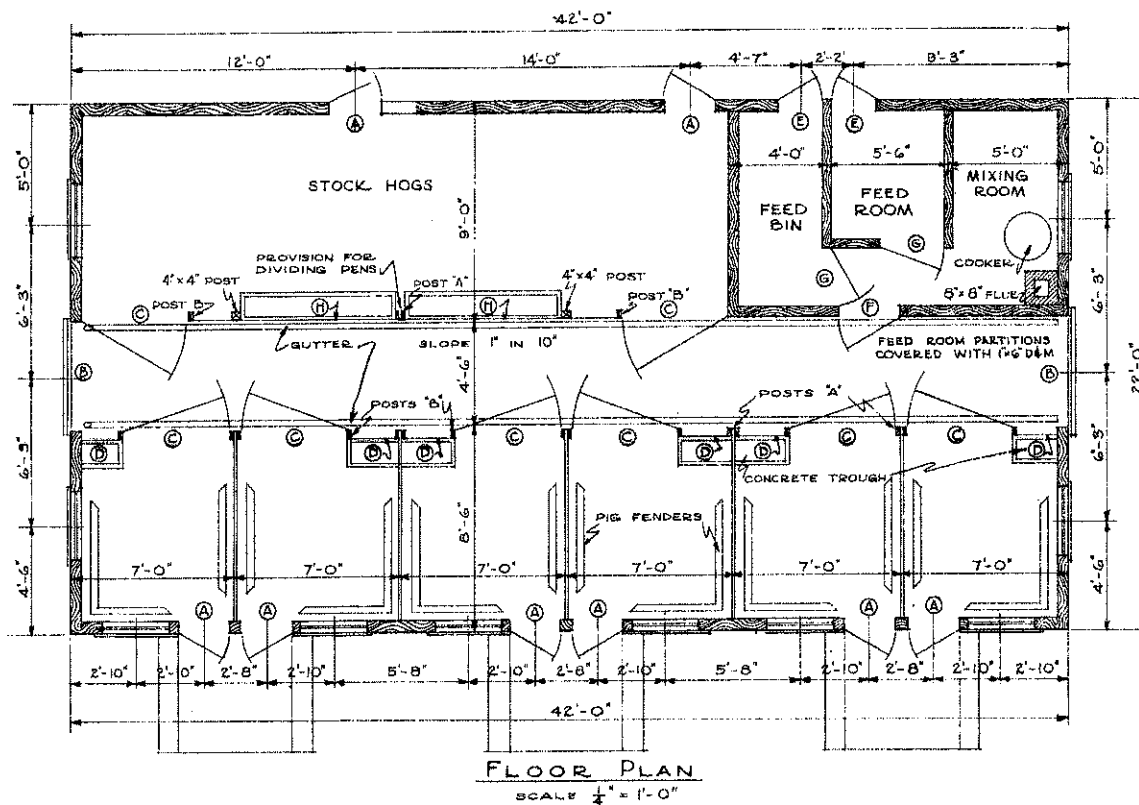


NORTH ELEVATION  
SCALE  $\frac{1}{4}'' = 1'-0''$

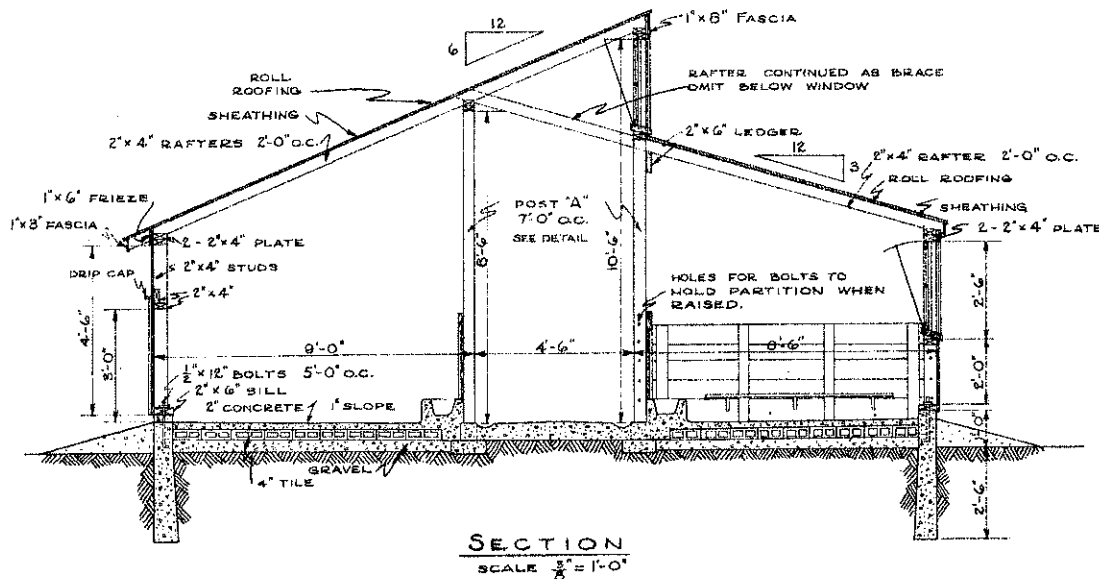
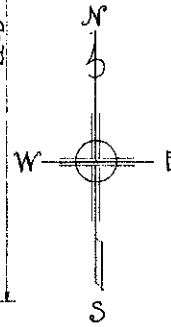


WEST ELEVATION  
SCALE  $\frac{1}{4}'' = 1'-0''$

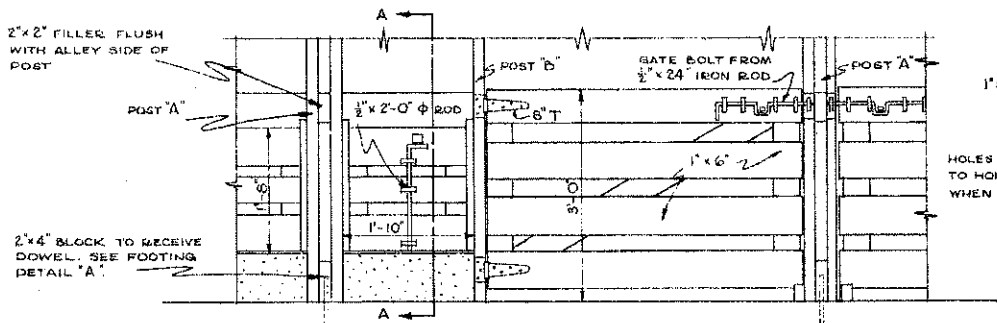
COOPERATIVE EXTENSION WORK IN  
 AGRICULTURE AND HOME ECONOMICS  
 STATE OF NORTH DAKOTA  
 NORTH DAKOTA AGRICULTURAL COLLEGE  
 AND  
 U. S. DEPT. OF AGRICULTURE COOPERATING  
 EXT. AGR'L. ENGINEER - FARGO, N. DAK.  
**HALF MONITOR HOG HOUSE.**  
 MIDWEST 72612-73 EX 3276 SHEET 1069



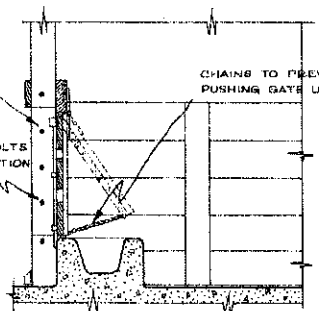
DOOR SCHEDULE		
DOOR	SIZE OF OPENING	DESCRIPTION
A	2'-4" x 3'-0"	HINGED
B	4'-6" x 7'-0"	SLIDING
C	4'-6" x —	GATE - HINGED AT SIDE
D	1'-10" x 1'-8"	GATE - HINGED AT TOP
E	1'-10" x 2'-0"	HINGED
F	2'-8" x 6'-6"	HINGED
G	2'-4" x 6'-8"	HINGED
H	6'-6" x 1'-8"	GATE - HINGED AT TOP



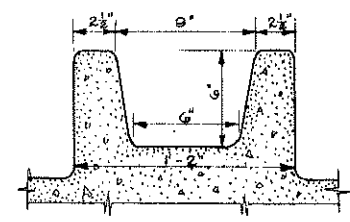
COOPERATIVE EXTENSION WORK IN  
 AGRICULTURE AND HOME ECONOMICS  
 STATE OF NORTH DAKOTA  
 NORTH DAKOTA AGRICULTURAL COLLEGE  
 AND  
 U. S. DEPT. OF AGRICULTURE COOPERATING  
 EXT. AGR'L. ENGINEER - FARGO, N. DAK.  
**HALF MONITOR HOG HOUSE**  
 MIDWEST 72-12-33 EX 5279 SHEET 2 OF 4



**ELEVATION OF PEN FROM ALLEY**  
SCALE 3/4" = 1'-0"



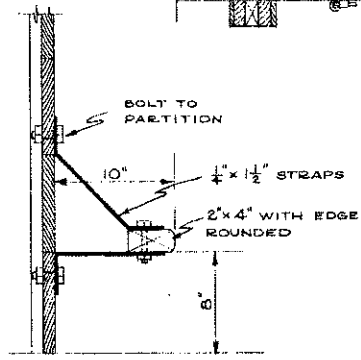
**SECTION A-A**  
SCALE 3/4" = 1'-0"



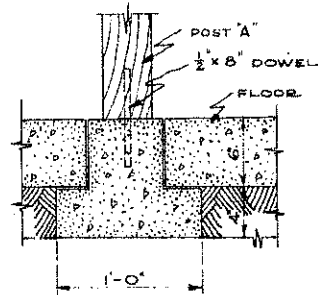
**TROUGH SECTION**  
SCALE - 2" = 1'-0"



**PLAN OF PEN FRONT**  
SCALE 3/4" = 1'-0"

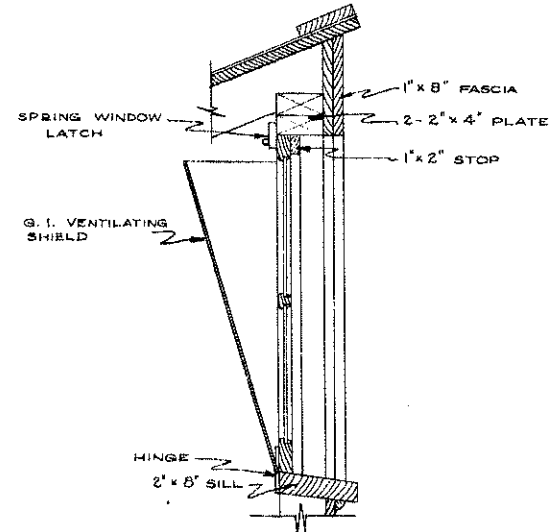


**PIG FENDER DETAILS**  
SCALE 1 1/2" = 1'-0"

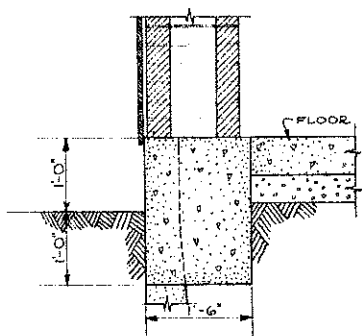


**POST "A" FOOTING**  
SCALE 1 1/2" = 1'-0"

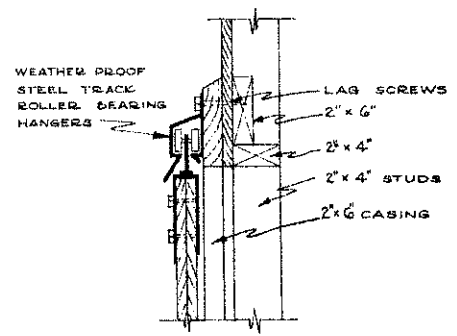
POSTS "B" HAVE NO FOOTINGS BUT HAVE 1/2" x 6" DOWEL SET IN FLOOR.



**MONITOR WINDOW & CORNICE DETAILS**  
SCALE 1 1/2" = 1'-0"

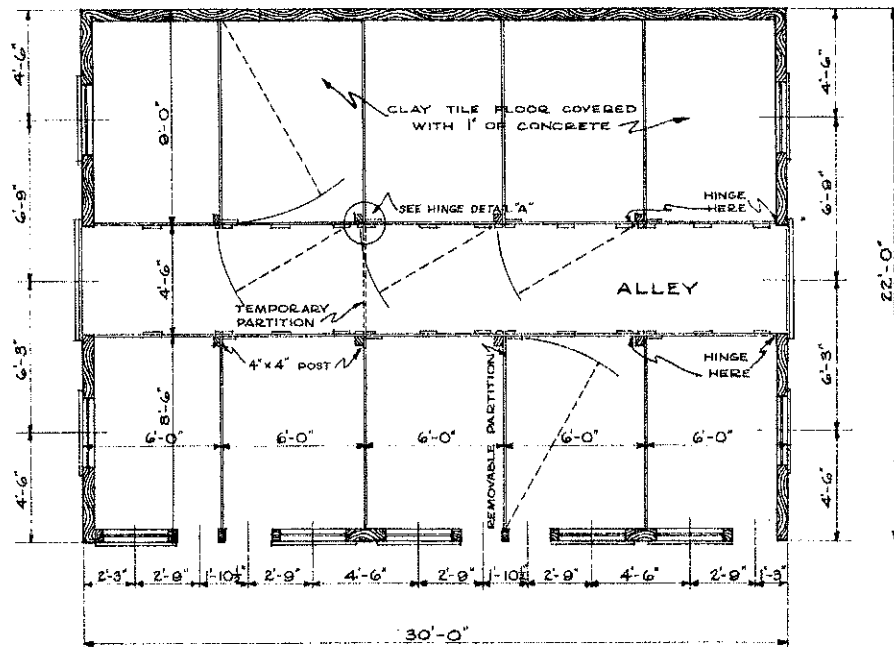


**CHIMNEY FOOTING DETAILS**  
SCALE 3/4" = 1'-0"



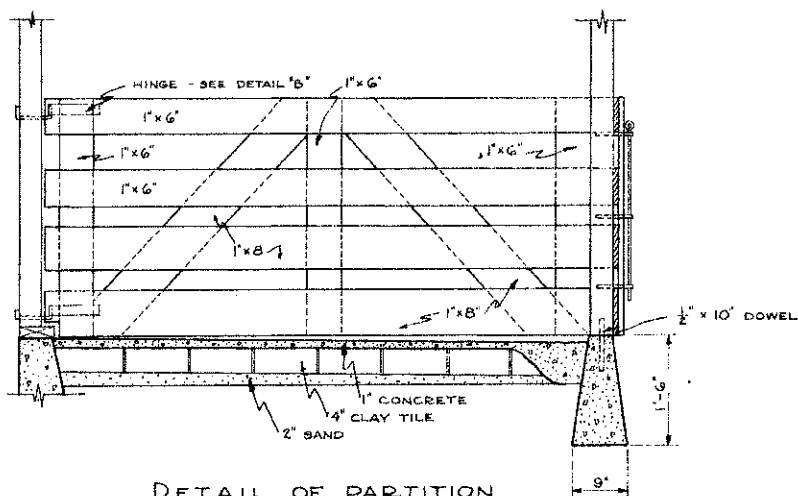
**DETAIL OF SLIDING DOOR LINTEL**  
SCALE 1 1/2" = 1'-0"

COOPERATIVE EXTENSION WORK IN  
 AGRICULTURE AND HOME ECONOMICS  
 STATE OF NORTH DAKOTA  
 NORTH DAKOTA AGRICULTURAL COLLEGE  
 AND  
 U. S. DEPT. OF AGRICULTURE COOPERATING  
 EXT. AGR'L ENGINEER - FARGO, N. DAK.  
**HALF MONITOR HOG HOUSE**  
 MIDWEST 72612-35 EX. 5280 SHEET 3 OF 4



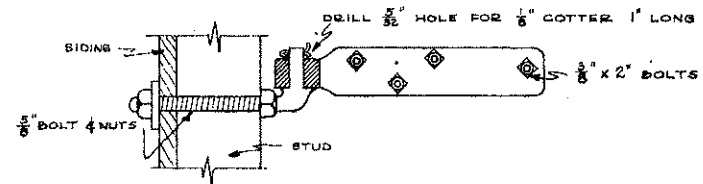
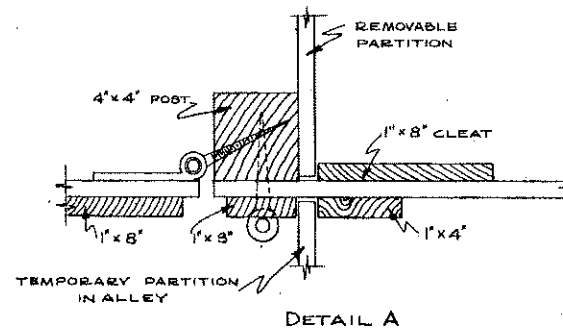
ALTERNATE FLOOR PLAN

SCALE  $\frac{1}{4}'' = 1'-0''$



DETAIL OF PARTITION

SCALE  $\frac{3}{4}'' = 1'-0''$



DETAILS OF HINGES

SCALE  $3'' = 1'-0''$

COOPERATIVE EXTENSION WORK IN  
 AGRICULTURE AND HOME ECONOMICS  
 STATE OF NORTH DAKOTA  
 NORTH DAKOTA AGRICULTURAL COLLEGE  
 AND  
 U. S. DEPT. OF AGRICULTURE COOPERATING  
 EXT. AGR'L. ENGINEER - FARGO, N. DAK.

HALF MONITOR HOG HOUSE

MIDWEST 72612 33 L X 32B1 SHEET 4 of 4