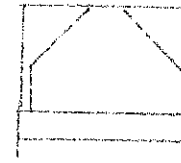
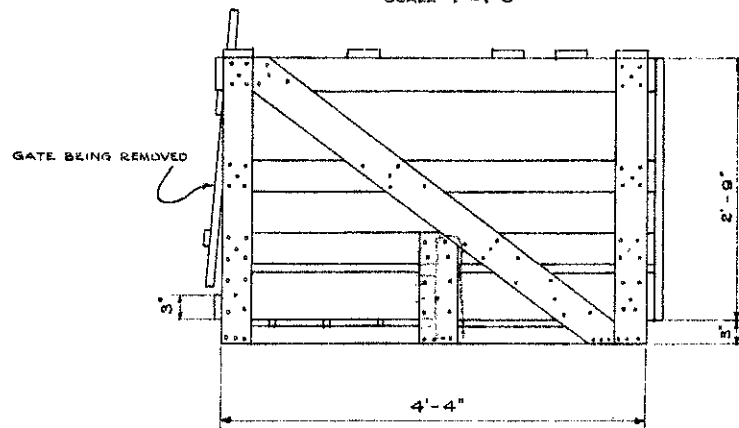


BRACE MAY BE EITHER INSIDE OR OUTSIDE.

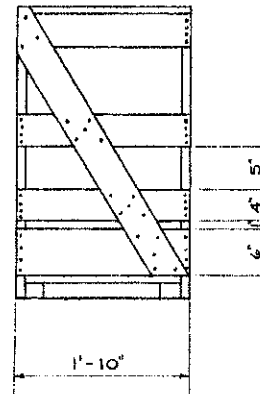


DETAIL OF STRAP IRON BRACE

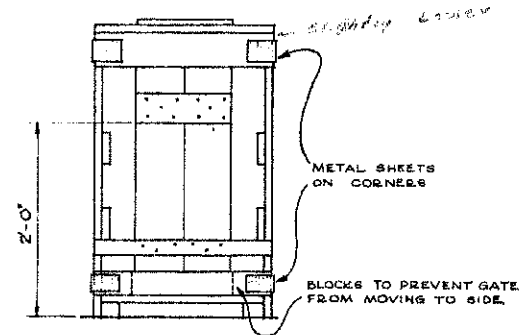
TOP
SCALE - 1" = 1'-0"



SIDE
SCALE 1" = 1'-0"



HEAD END
SCALE - 1" = 1'-0"



REAR END
SCALE 1" = 1'-0"

WEIGHT OF HOG		Up to 100 lbs.	100 To 225 lbs.	225 To 500 lbs.	600 To 800 lbs. <small>THE FOLLOWING ARE APPROXIMATE</small>
INSIDE DIMENSIONS	WIDTH	1'-0"	1'-6"	2'-0"	2'-2"
	HEIGHT	2'-0"	2'-9"	3'-4"	4'-0"
MATERIAL	LENGTH	3'-10"	4'-4"	6'-6"	7'-0"
	Ends	4 SLATS 1"x4" x 1'-4" 1 SLAT 1"x6" x 1'-4"	4 SLATS 1"x4" x 1'-10" 1 SLAT 1"x6" x 1'-10"	5 SLATS 1"x4" x 2'-4" 1 SLAT 1"x6" x 2'-4"	
Sides		1 SLAT 1"x3" x 1'-4" 4 UPRIGHTS 1"x4" x 2'-8" 6 SLATS 1"x4" x 3'-10" 2 SLATS 1"x6" x 3'-10" 2 DIAGONALS 1"x4" x 3'-11"	1 SLAT 1"x3" x 1'-10" 2 DIAGONAL 1"x4" x 4'-9" 4 UPRIGHTS 1"x4" x 3'-0" 6 SLATS 1"x4" x 4'-4" 2 SLATS 1"x6" x 4'-4"	1 SLAT, DIAGONAL, 1"x4" x 4'-0", 1"x3" x 2'-4" 4 UPRIGHTS 1"x4" x 3'-7" 6 SLATS, 2 UPRIGHTS, 1"x4" x 3'-3", 1"x4" x 6'-6" 2 SLATS, 2 DIAGONALS, 1"x4" x 6'-8", 1"x6" x 6'-6"	
	Floor	2 SKIDS 2"x2" x 3'-10" FLOORING IN 14' LENGTHS	2 SLATS 1"x4" x 1'-2" 1 DIAGONAL 1"x4" x 3'-3" 2 SKIDS 2"x2" x 4'-4" FLOORING IN 20' LENGTHS	2 SKIDS 2"x2" x 6'-6" FLOORING IN 26' LENGTHS	
TOP		TOTAL LENGTH OF FLOOR 3'-10" 4 SLATS 1"x4" x 1'-2" 1 SLAT 1"x4" x 1'-4" 1 DIAGONAL 1"x4" x 4'-0"	TOTAL LENGTH OF FLOOR 4'-4" 3 SLATS 1"x4" x 1'-8" 2 SLATS 1"x4" x 1'-10" 1 DIAGONAL 1"x4" x 4'-2"	TOTAL LENGTH OF FLOOR 6'-6" 3 SLATS 1"x4" x 2'-2" 2 SLATS, 1 DIAGONAL, 1"x4" x 6'-10", 1"x4" x 2'-4" 1-2" STRIP 2'-4" LONG	
	End GATE	1-2" STRIP 1'-4" LONG 2 BOARDS 1"x6" x 2'-2" 1 PIECE 1"x4" x 1'-0"	1-2" STRIP 1'-10" LONG 2 BOARDS 1"x6" x 2'-11" 1 PIECE 1"x4" x 1'-0"	2 BOARDS 1"x6" x 3'-6" 1 PIECE 1"x4" x 1'-0" 1 SMALL BLOCKS ON FLOOR TO PREVENT GATE FROM MOVING TO SIDE.	

SCHEDULE OF DIMENSIONS & MATERIAL FOR CRATES FOR DIFFERENT WEIGHT HOGS

COOPERATIVE EXTENSION WORK IN
AGRICULTURE AND HOME ECONOMICS
STATE OF NORTH DAKOTA
NORTH DAKOTA AGRICULTURAL COLLEGE
AND
U. S. DEPT. OF AGRICULTURE COOPERATING
EXT. AGR'L ENGINEER- FARGO, N. DAK.

HOG CRATE