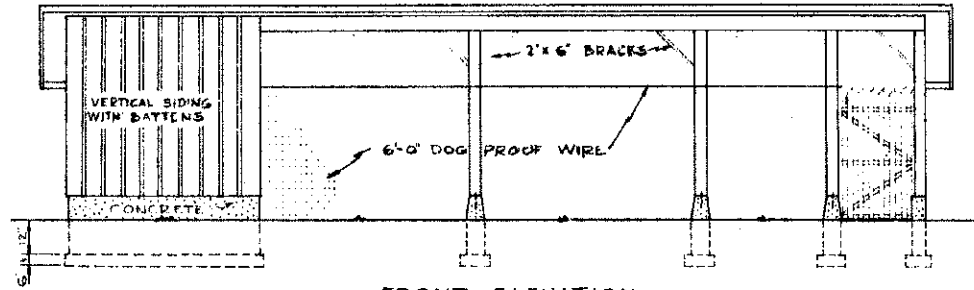
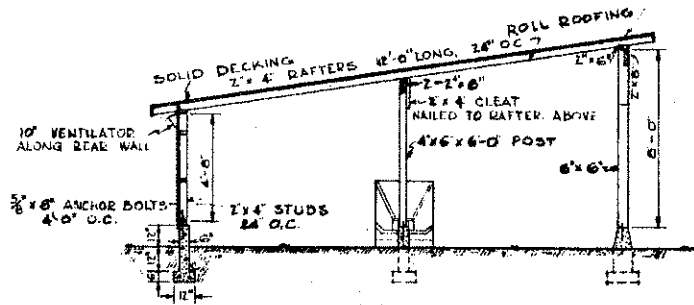


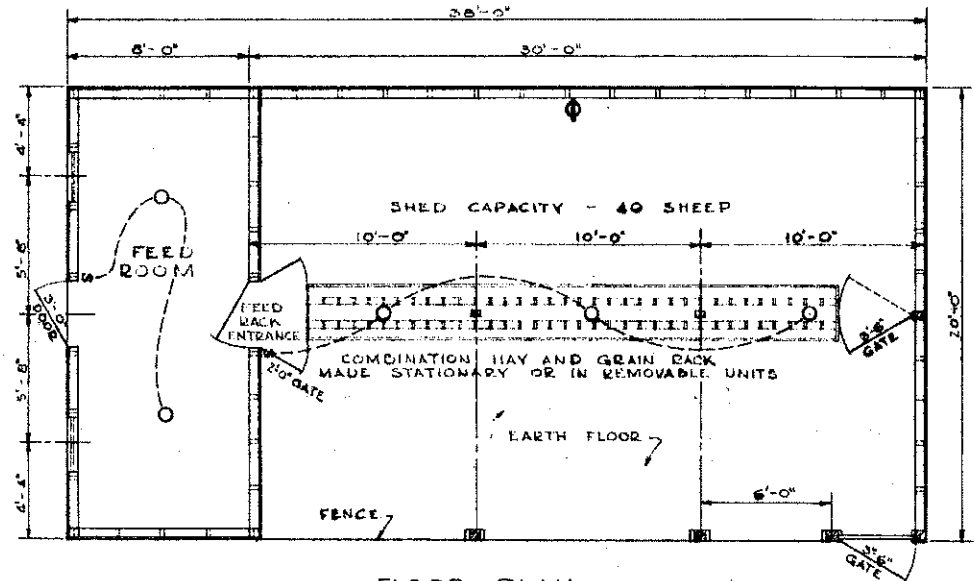
LEFT ELEVATION
SCALE: 1/4" = 1'-0"



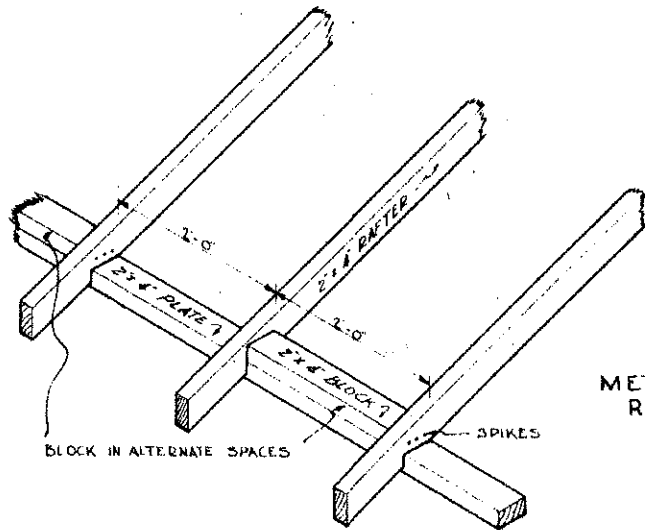
FRONT ELEVATION
SCALE: 1/4" = 1'-0"



SECTION
SCALE: 1/4" = 1'-0"

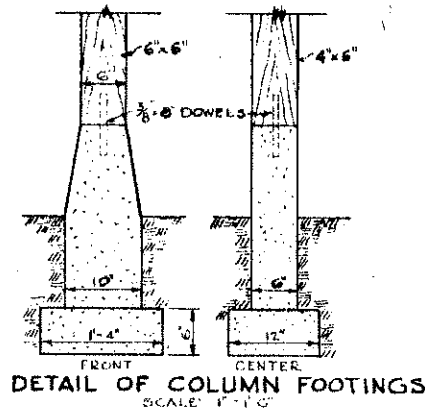


FLOOR PLAN
SCALE: 1/4" = 1'-0"



METHOD OF ANCHORING
RAFTERS TO PLATE

SCALE: 1" = 1'-0"



DETAIL OF COLUMN FOOTINGS
SCALE: 1" = 1'-0"

REVISED 1949

COOPERATIVE EXTENSION WORK IN
AGRICULTURE AND HOME ECONOMICS
STATE OF NORTH DAKOTA
NORTH DAKOTA STATE UNIVERSITY
OF AGRICULTURE AND APPLIED SCIENCE
AND
UNITED STATES DEPARTMENT OF AGRICULTURE COOPERATING

SHEEP SHED

GA. EX. 5672 SHEET 1 OF 1