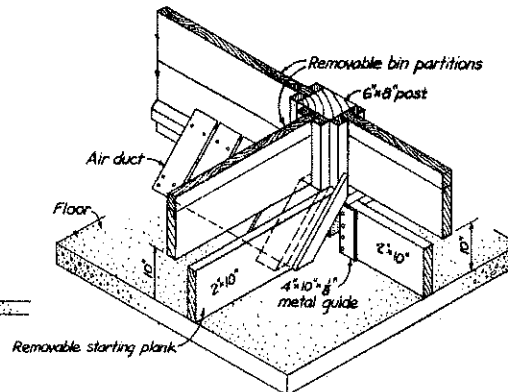
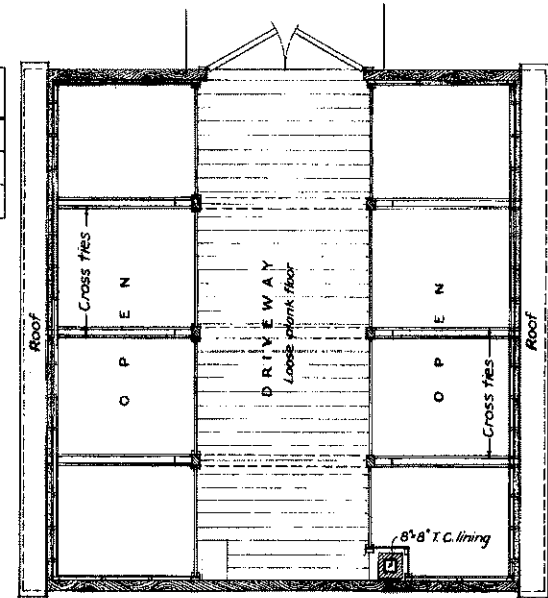


TYPICAL FIRST FLOOR PLAN

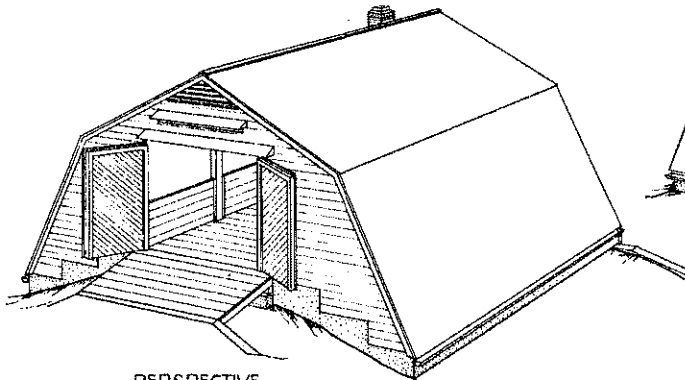
PLAN DIMENSION SCHEDULE					BUSHEL CAPACITY
A	B	C	D	E	
40'-0"	40'-0"	10'-0"	12'-0"	14'-0"	11,000
36'-0"	36'-0"	9'-0"	12'-0"	12'-0"	9,000
32'-0"	32'-0"	8'-0"	10'-8"	10'-8"	7,000



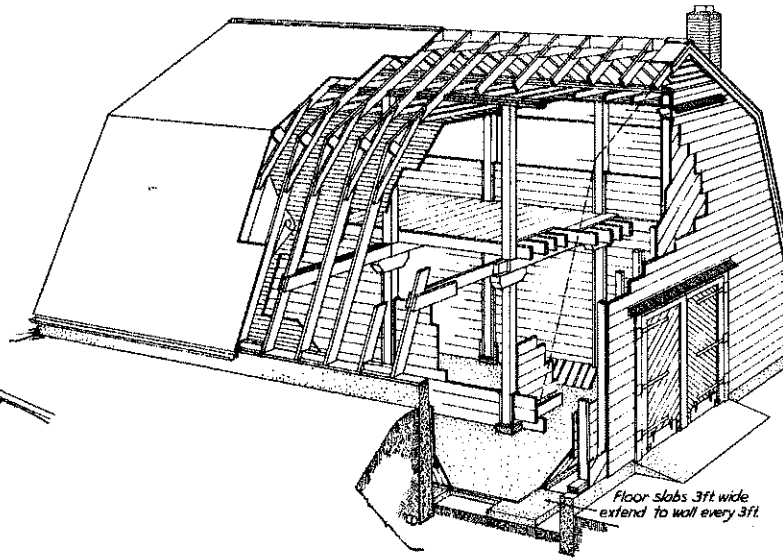
CENTER AIR DUCT DETAIL



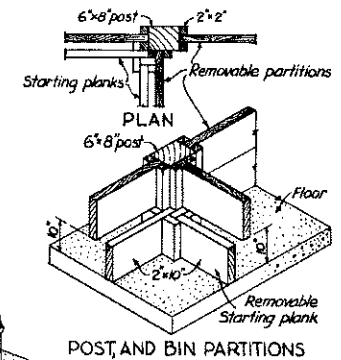
TYPICAL SECOND FLOOR PLAN



PERSPECTIVE
SHOWING SECOND FLOOR ENTRANCE



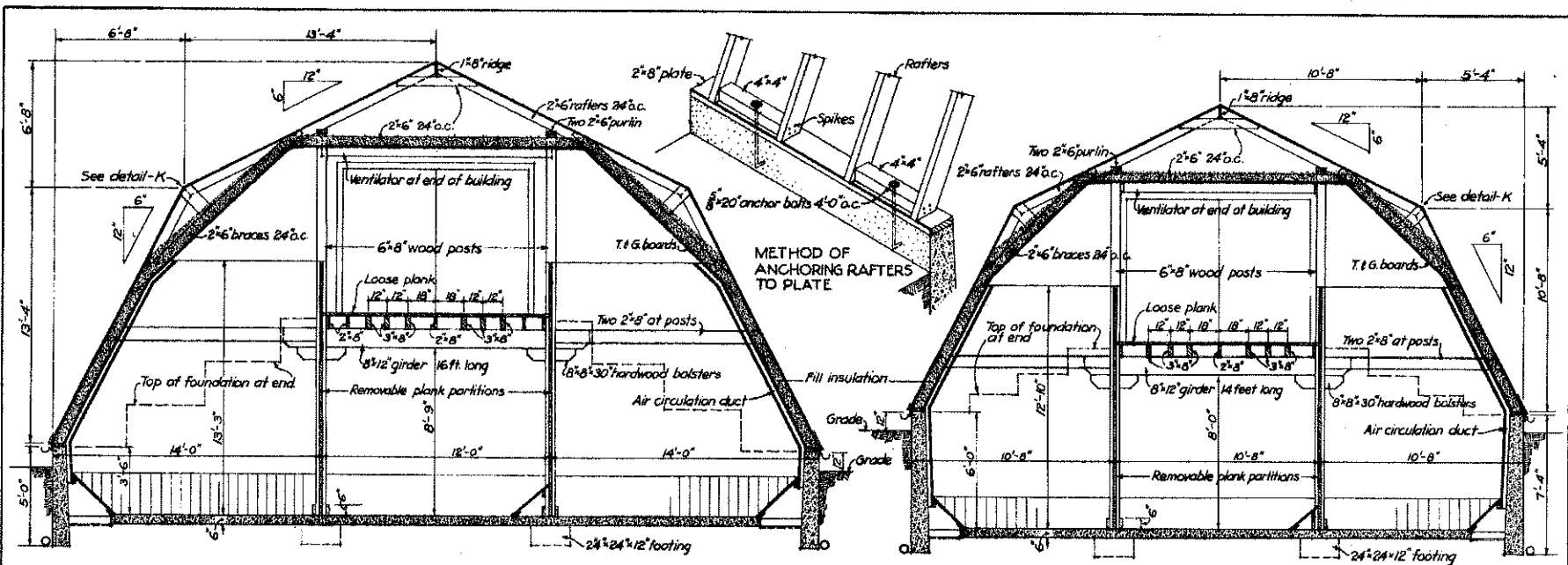
PERSPECTIVE
SHOWING FRAMING AND FIRST FLOOR ENTRANCE



POST AND BIN PARTITIONS

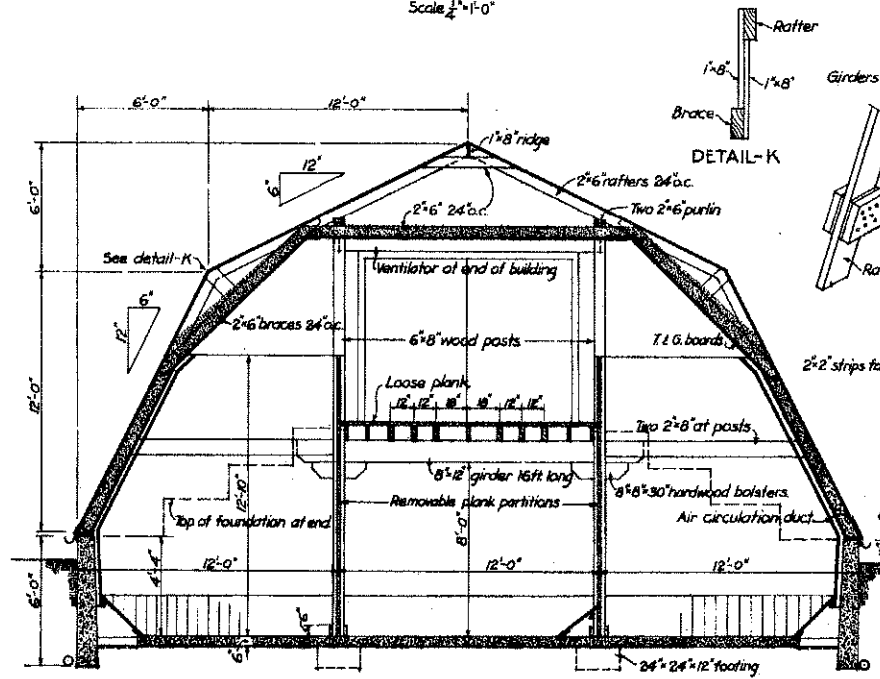
COOPERATIVE EXTENSION WORK IN
AGRICULTURE AND HOME ECONOMICS
STATE OF NORTH DAKOTA
NORTH DAKOTA AGRICULTURAL COLLEGE
AND
U. S. DEPT. OF AGRICULTURE COOPERATING

POTATO STORAGE HOUSES

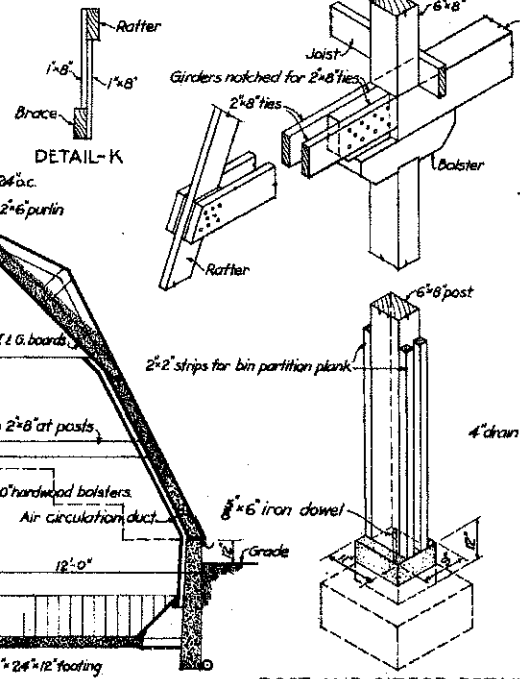


40 FT. CROSS SECTION
Scale $\frac{1}{4}''=1'-0''$

32 FT. CROSS SECTION
Scale $\frac{1}{4}''=1'-0''$



36 FT. CROSS SECTION
Scale $\frac{1}{4}''=1'-0''$

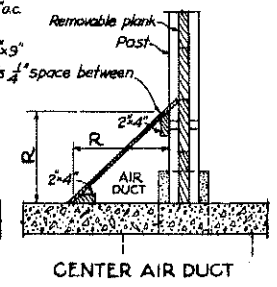


DETAIL-K

POST AND GIRDER DETAIL

WALL DETAIL
Scale $\frac{1}{4}''=1'-0''$

AIR DUCT SIZES		
BUILDING SIZE	N	R
32' x 32'	18"	12"
36' x 36'	21"	16"
40' x 40'	24"	18"

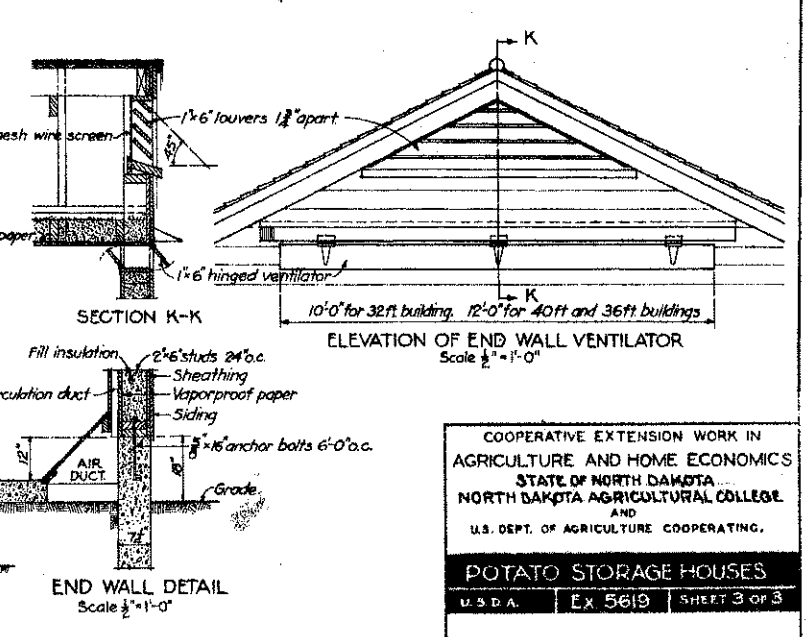
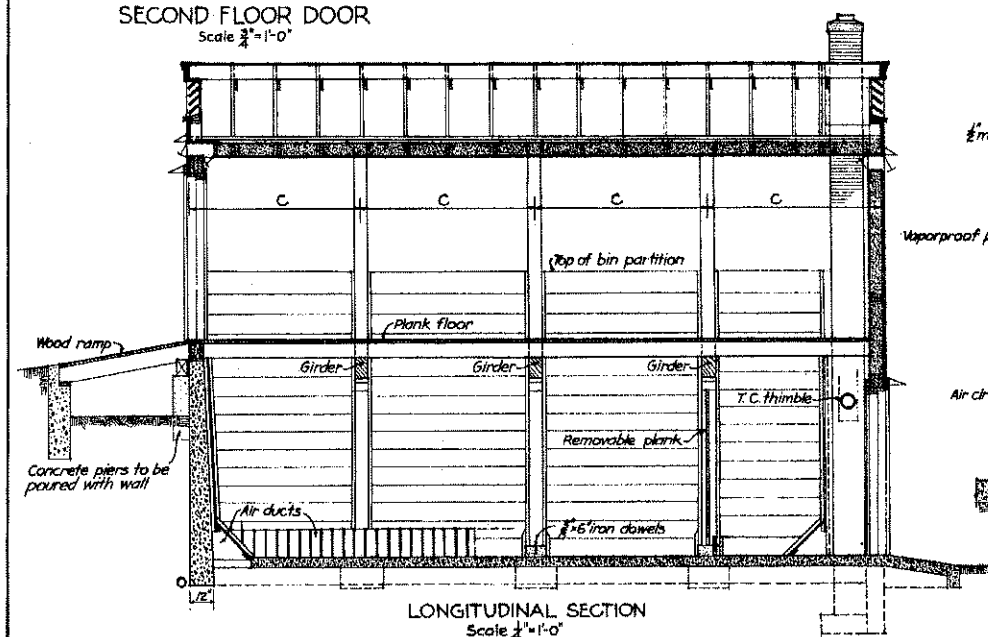
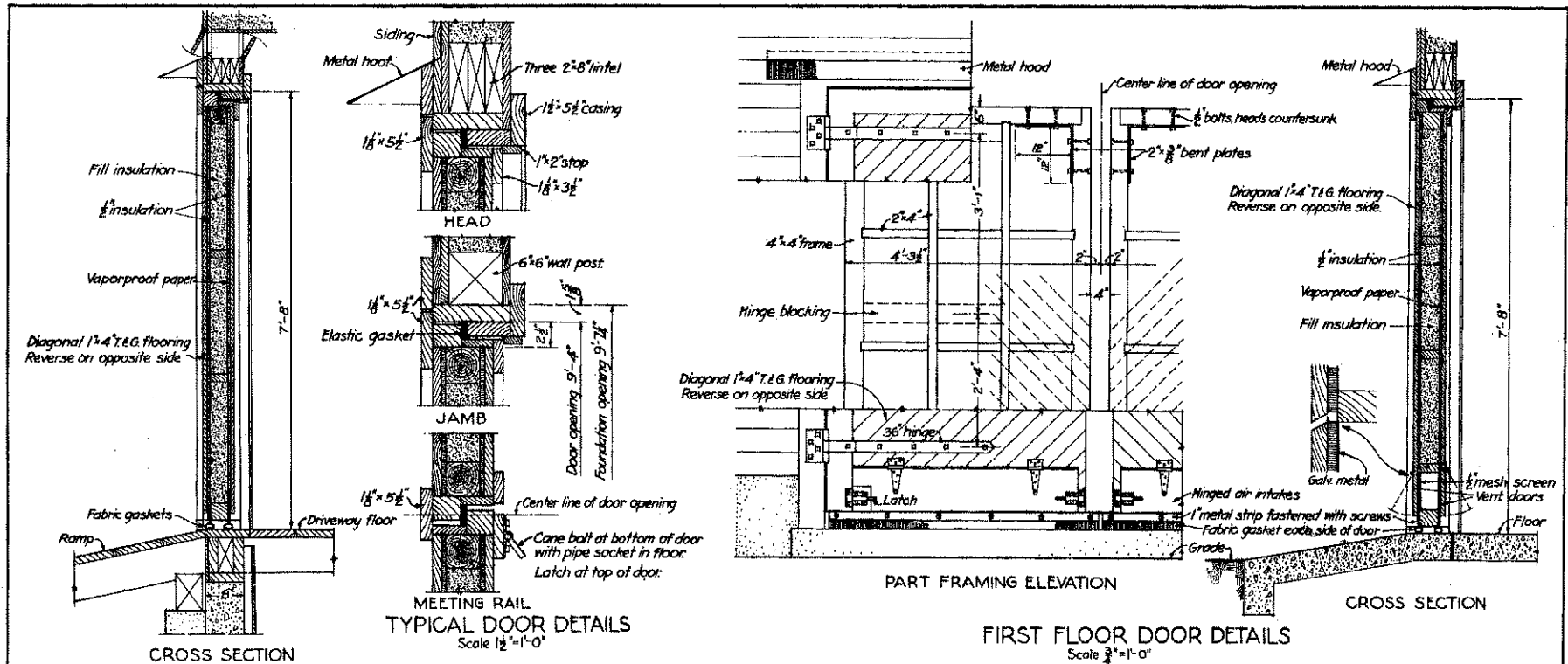


CENTER AIR DUCT

COOPERATIVE EXTENSION WORK IN
AGRICULTURE AND HOME ECONOMICS
STATE OF NORTH DAKOTA
NORTH DAKOTA AGRICULTURAL COLLEGE
AND
U.S. DEPT. OF AGRICULTURE COOPERATING.

POTATO STORAGE HOUSES

U.S.D.A. EX 16619 SHEET 2 OF 3



COOPERATIVE EXTENSION WORK IN
 AGRICULTURE AND HOME ECONOMICS
 STATE OF NORTH DAKOTA
 NORTH DAKOTA AGRICULTURAL COLLEGE
 AND
 U.S. DEPT. OF AGRICULTURE COOPERATING.

POTATO STORAGE HOUSES
 U.S.A. | EX 5619 | SHEET 3 OF 3