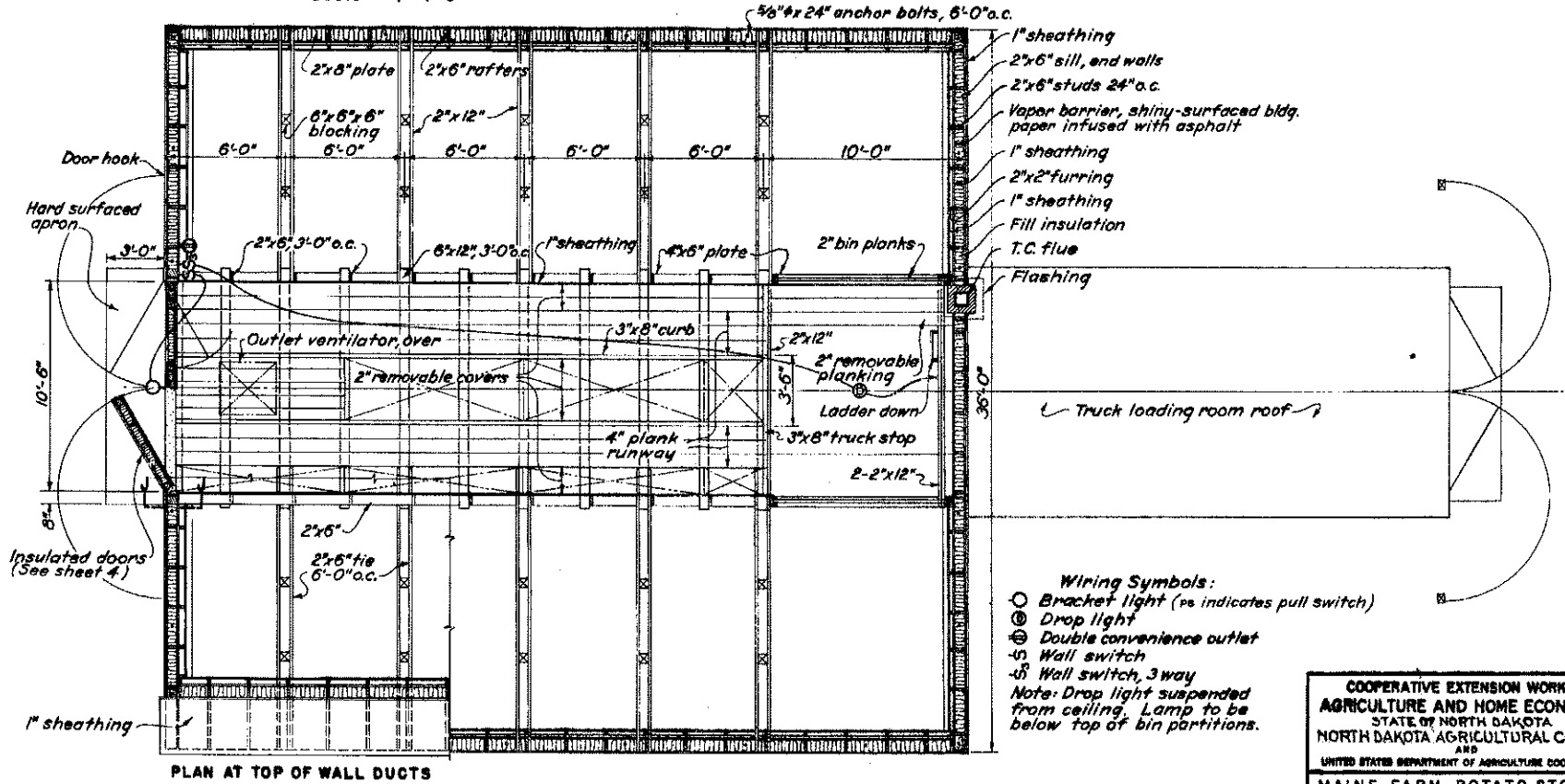
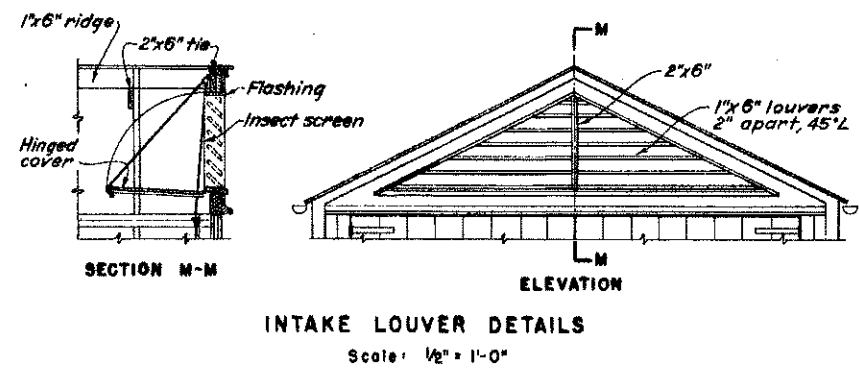
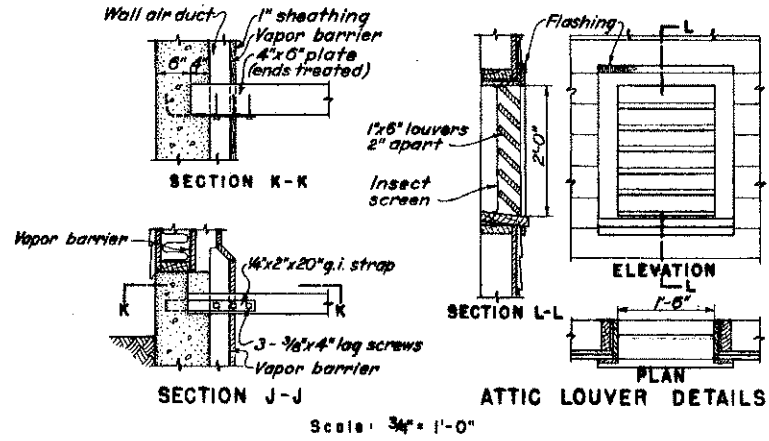
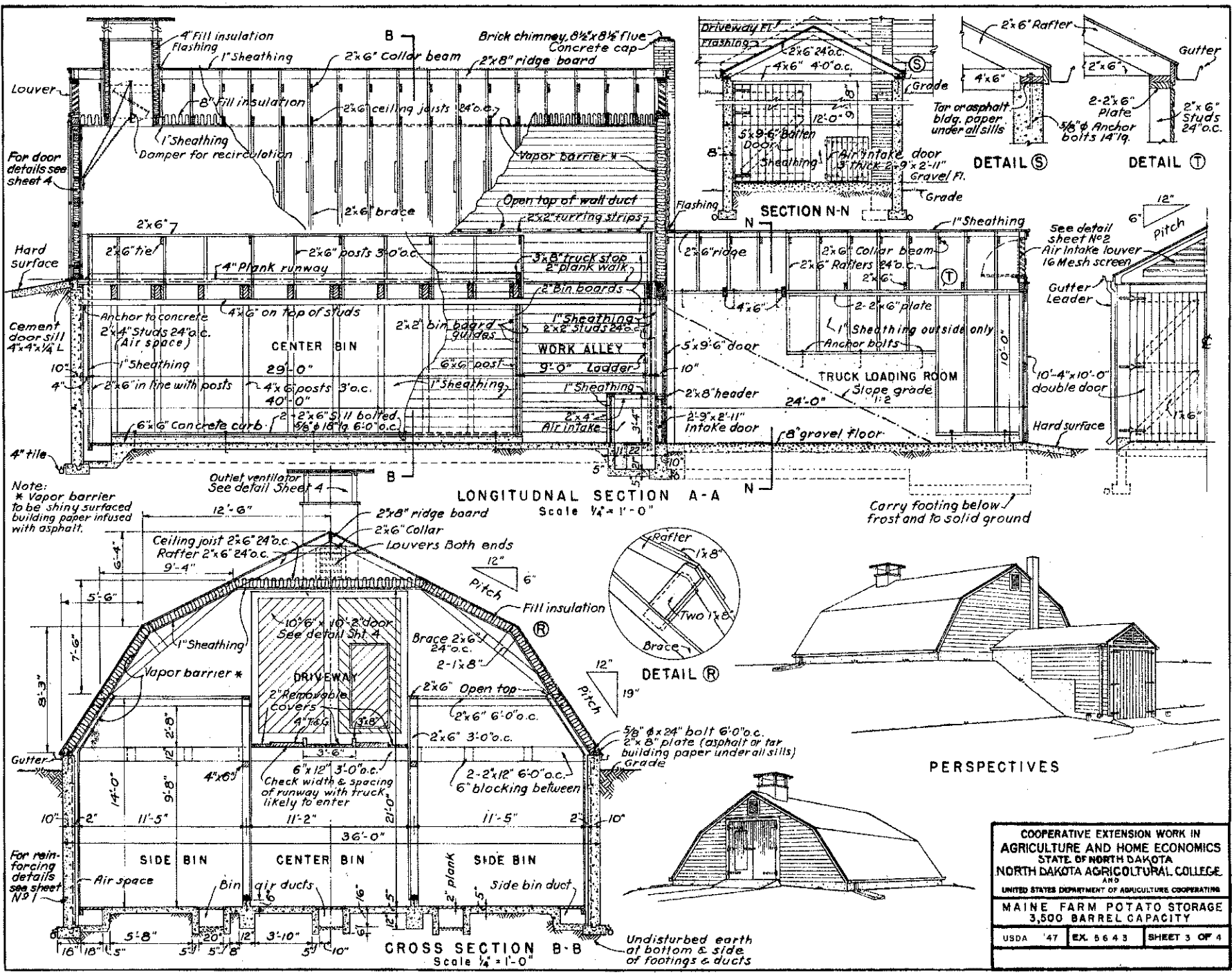


Note: Bracket light & convenience outlet in work alley are mounted 7'-0" above floor.

COOPERATIVE EXTENSION WORK IN AGRICULTURE AND HOME ECONOMICS			
STATE OF NORTH DAKOTA			
NORTH DAKOTA AGRICULTURAL COLLEGE			
AND			
UNITED STATES DEPARTMENT OF AGRICULTURE COOPERATING			
MAINE FARM POTATO STORAGE			
3,500 BARREL CAPACITY			
USDA	47	EX. 5643	SHEET 1 OF 4



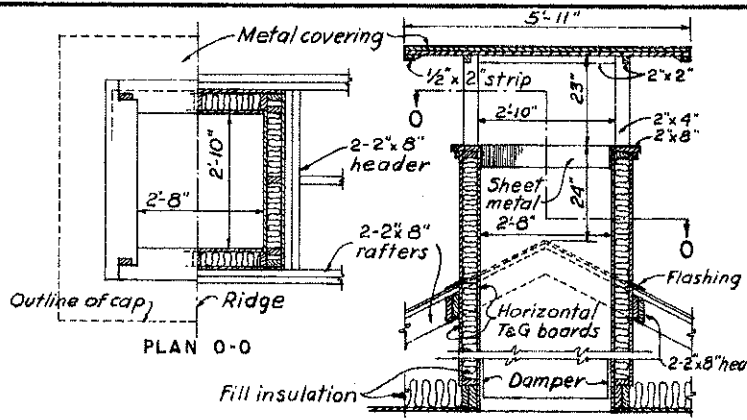
COOPERATIVE EXTENSION WORK IN
 AGRICULTURE AND HOME ECONOMICS
 STATE OF NORTH DAKOTA
 NORTH DAKOTA AGRICULTURAL COLLEGE
 AND
 UNITED STATES DEPARTMENT OF AGRICULTURE COOPERATING
MAINE FARM POTATO STORAGE
 3,500 BARREL CAPACITY
 USDA '47 EX. 5643 SHEET 2 OF 4



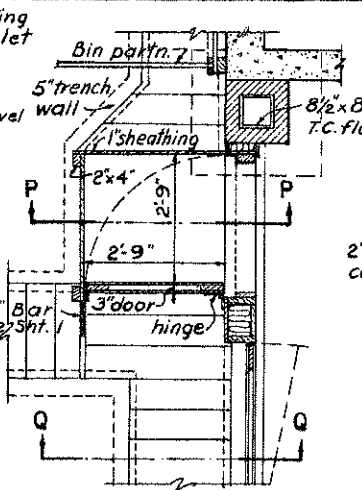
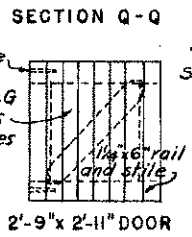
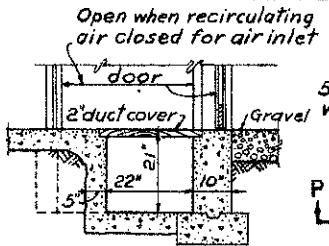
COOPERATIVE EXTENSION WORK IN
 AGRICULTURE AND HOME ECONOMICS
 STATE OF NORTH DAKOTA
 NORTH DAKOTA AGRICULTURAL COLLEGE
 A-13
 UNITED STATES DEPARTMENT OF AGRICULTURE COOPERATING

MAINE FARM POTATO STORAGE
 3,500 BARREL CAPACITY

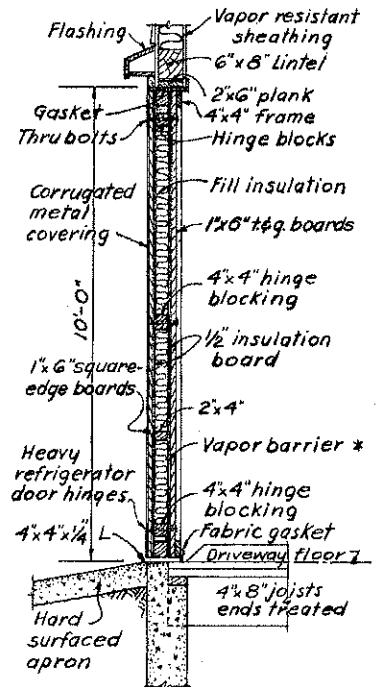
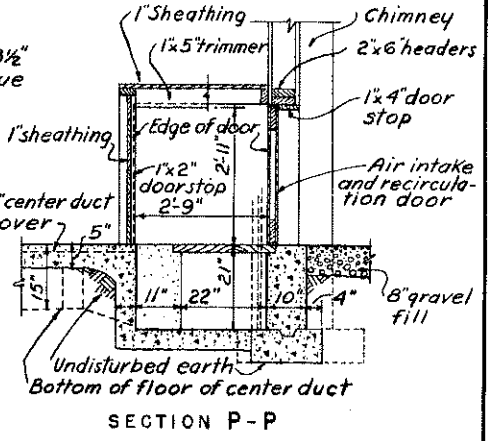
USDA '47	EX. 5643	SHEET 3 OF 4
----------	----------	--------------



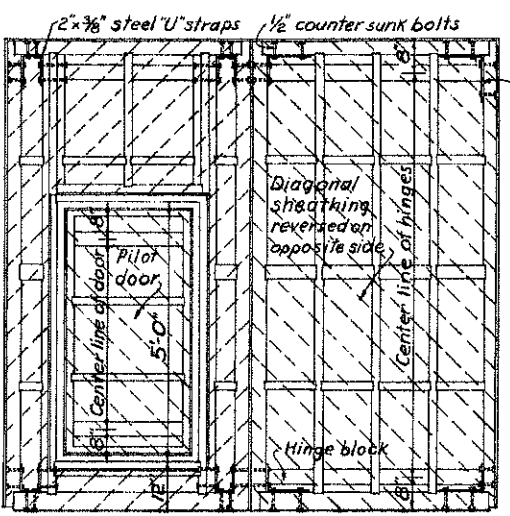
VENTILATOR DETAILS
SCALE 1/2" = 1'-0"



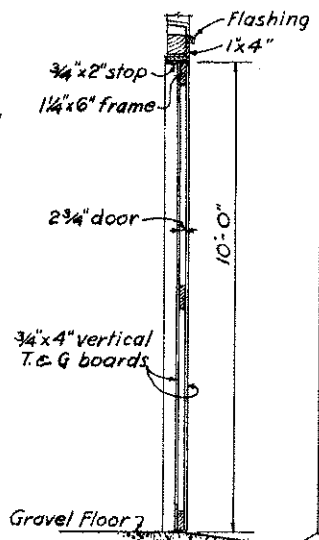
AIR INTAKE & RECIRCULATION BOX
SCALE 1/2" = 1'-0"



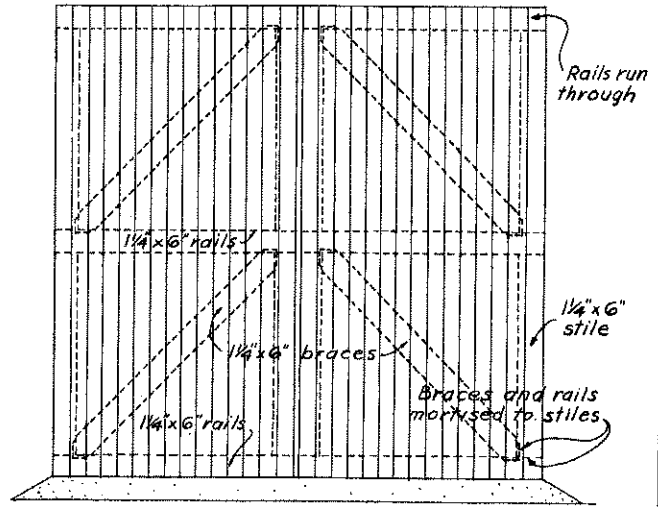
SECTION THRU DRIVEWAY DOOR



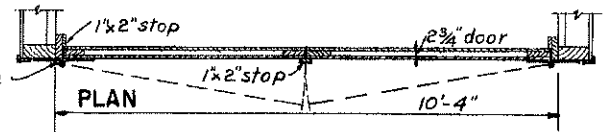
ELEVATION OF DOOR FRAMING



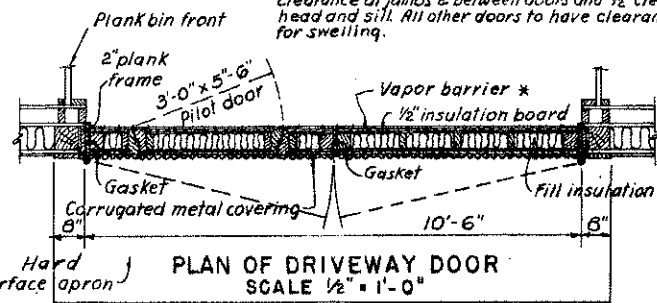
SECTION



ELEVATION



TRUCK LOADING ROOM DOOR
SCALE 1/2" = 1'-0"



PLAN OF DRIVEWAY DOOR
SCALE 1/2" = 1'-0"

Note: Dimensions for doors are for clear openings when constructing driveway doors allow 1/2" clearance on all four sides & between doors and 1/8" clearance on four sides at pilot door. Truck loading room doors to have 1/4" clearance at jambs & between doors and 1/2" clearance at head and sill. All other doors to have clearance to allow for swelling.

Note: Hinges to be fastened to door before corrugated metal covering is applied

* Vapor barrier shall be shiny surfaced bldg. paper infused with asphalt or metal foil.

Note: Alley Room Door is similar to Truck Loading Room Door. in construction. For dimensions see Section on Sheet N°3

COOPERATIVE EXTENSION WORK IN AGRICULTURE AND HOME ECONOMICS		
STATE OF NORTH DAKOTA		
NORTH DAKOTA AGRICULTURAL COLLEGE		
AND		
UNITED STATES DEPARTMENT OF AGRICULTURE COOPERATING		
MAIN FARM POTATO STORAGE		
3,500 BARREL CAPACITY		
USDA '47	EX. 5643	SHEET 4 OF 4