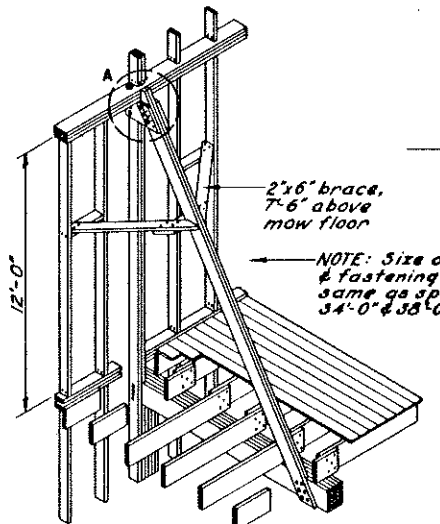


TYPICAL INSTALLATION
(34'-0" & 38'-0" WIDTH BARNs)



TYPICAL INSTALLATION
(36'-0" WIDTH BARNs)

END WALL BRACE
(4 REQUIRED)

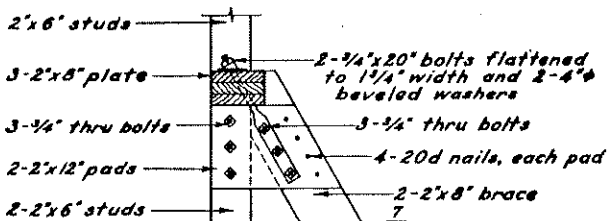
End rafter sections are same as for normal areas

2x4 pad at each joint between sections of end rafter

1/2 ELEVATION - WITH HAY DOOR

1/2 ELEVATION - WITHOUT HAY DOOR

TYPICAL END WALL FRAMING



DETAIL A

3-20d nails to each stud

Space studs 16" o.c. for at least 4'-0" each side of E

5-30d nails

2x8 corner brace with 5-30d nails at each end

Nail sheathing to 2-2x8 blocking with 6-10d nails

Nail sheathing to 2-2x8 blocking with 12-10d nails

4-20d toenails, each stud

30d nails, 12" o.c. staggered

5-20d toenails, each stud

2-10d nails to each stud

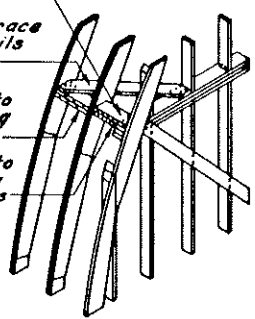
5-20d toenails, each stud

16d nails, 6" o.c. staggered

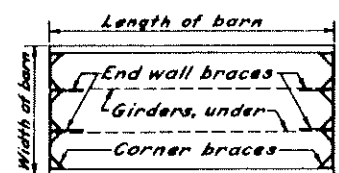
4-20d toenails, each stud

2-10d nails to each stud

4-20d toenails, each stud



DETAIL B



PLAN AT PLATE
ARRANGEMENT DIAGRAM

COOPERATIVE EXTENSION WORK IN AGRICULTURE AND HOME ECONOMICS		
SAND UNITED STATES DEPARTMENT OF AGRICULTURE COOPERATIVES		
END WALL BRACES - GOTHIC BARNs HURRICANE AREAS		
USDA '49	EX. 5590	SHEET 1 OF 1