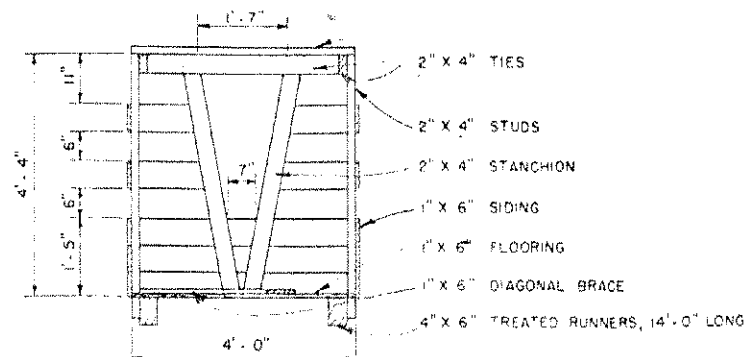
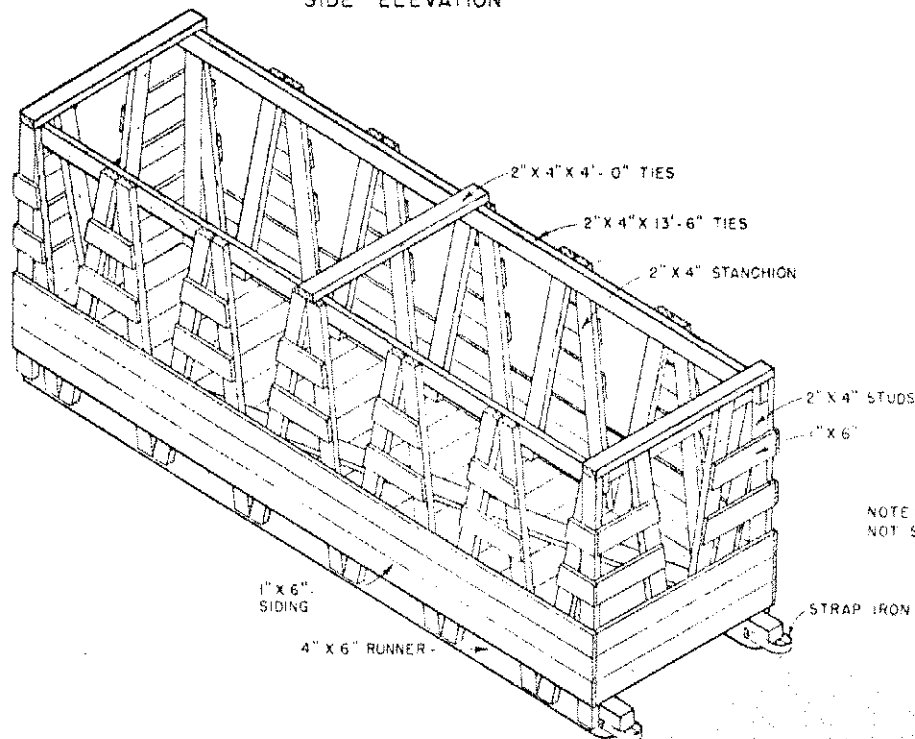


SIDE ELEVATION



SECTION



ISOMETRIC VIEW

BILL OF MATERIALS

2 PCS	4" x 6" x 14'-0"	RUNNERS
2 PCS	2" x 4" x 13'-6"	TIES
2 PCS	2" x 4" x 3'-5 1/2"	TIES
3 PCS	2" x 4" x 4'-0"	TOP CROSS TIES
4 PCS	2" x 4" x 4'-8 1/2"	CORNER STUDS
28 PCS	2" x 4" x 4'-10 1/2"	STANCHIONS
6 PCS	1" x 6" x 13'-7 1/2"	SIDING - SIDES
6 PCS	1" x 6" x 4'-0"	SIDING - ENDS
3 PCS	1" x 6" x 16'-0"	SIDING - BETWEEN STANCHIONS
29 PCS	1" x 6" x 4'-0"	FLOORING
1 PC	1" x 6" x 14'-0"	DIAGONAL BRACE
4 LB	16 d	NAILS
4 LB	8 d	NAILS
2 EA	6" x 3/8"	BOLTS
3 FT	1 1/2" x 3/8"	STRAP IRON

NOTE:
NOT SUITABLE FOR CATTLE WITH HORNS

COOPERATIVE EXTENSION WORK IN
AGRICULTURE AND HOME ECONOMICS
DEPARTMENT OF AGRICULTURAL ENGINEERING,
UNIVERSITY OF MARYLAND
AND
STATE COLLEGE OF AGRICULTURE AND MECHANICAL ARTS

CATTLE HAY RACK

TEX. 1951 EX. 5772 SHEET 1 OF 1