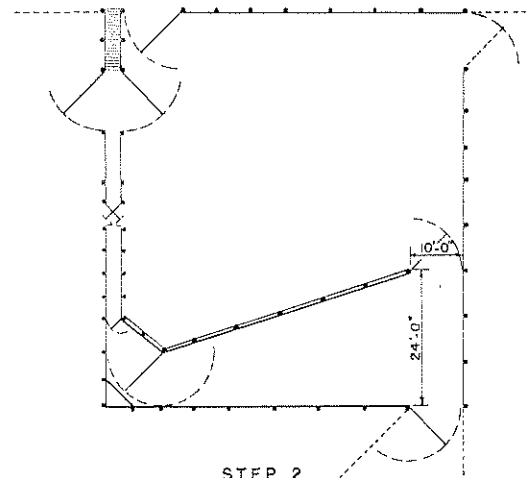
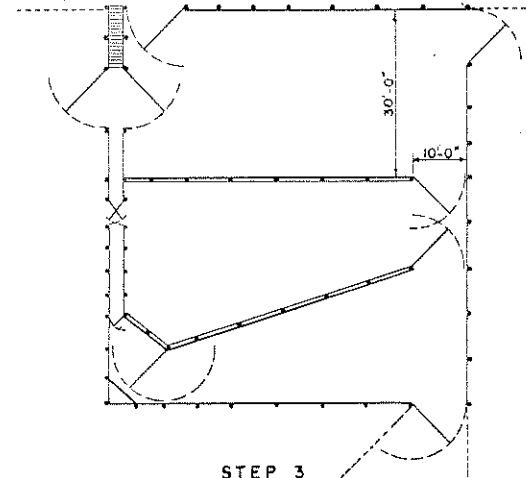


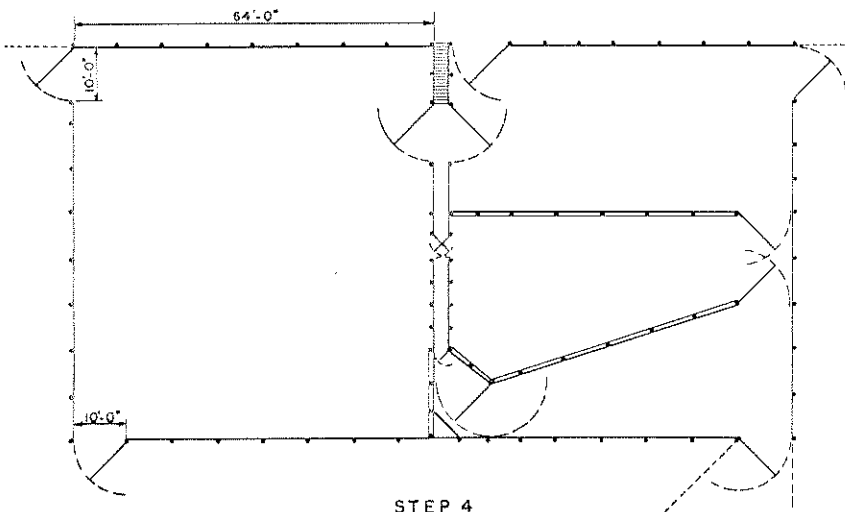
STEP 1



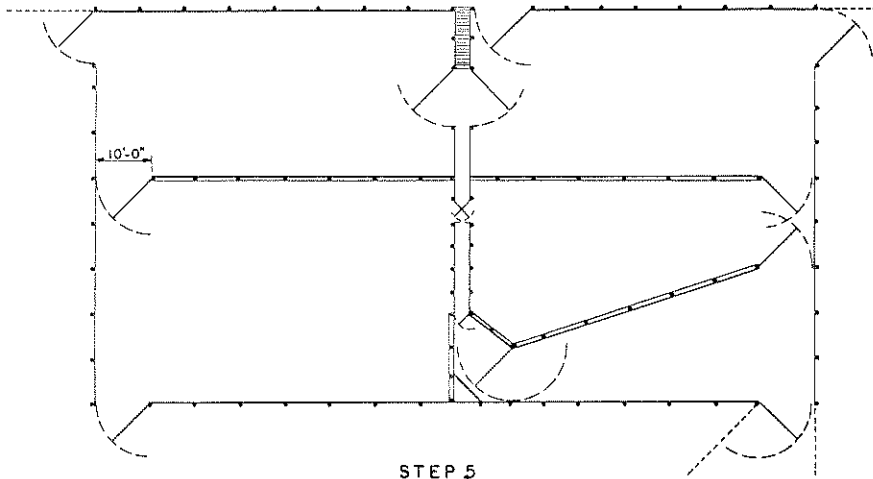
STEP 2



STEP 3



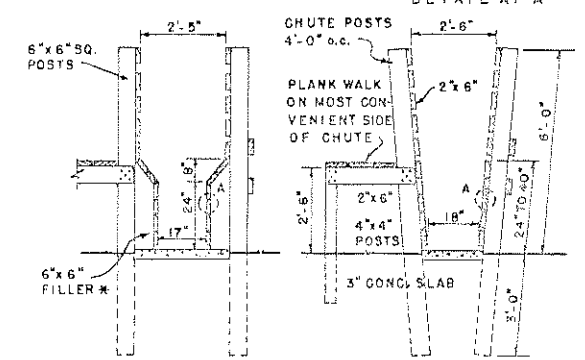
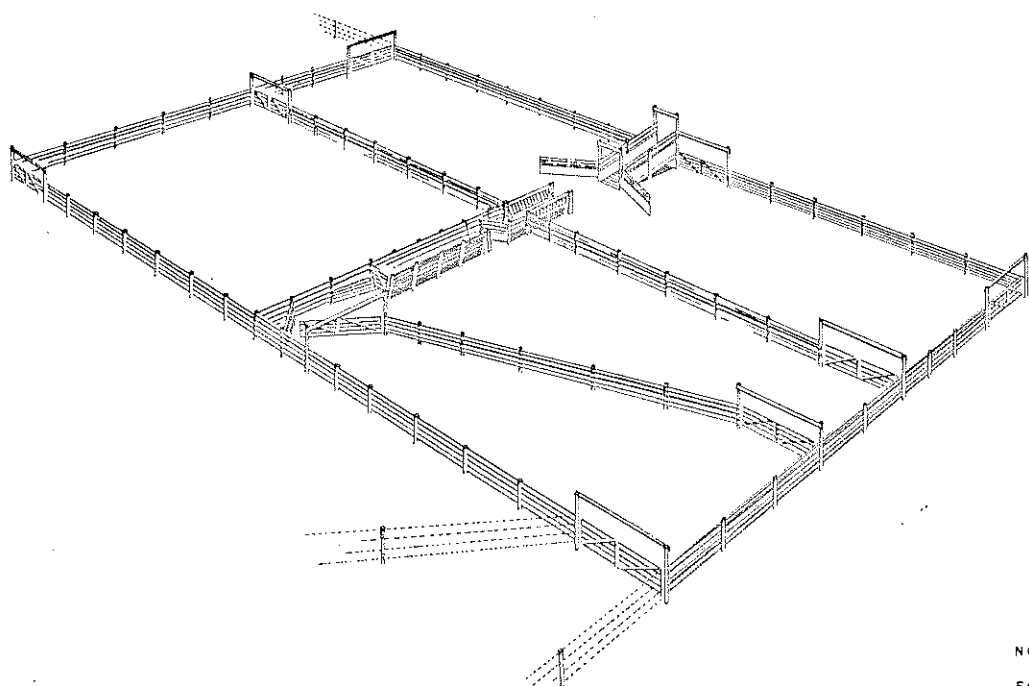
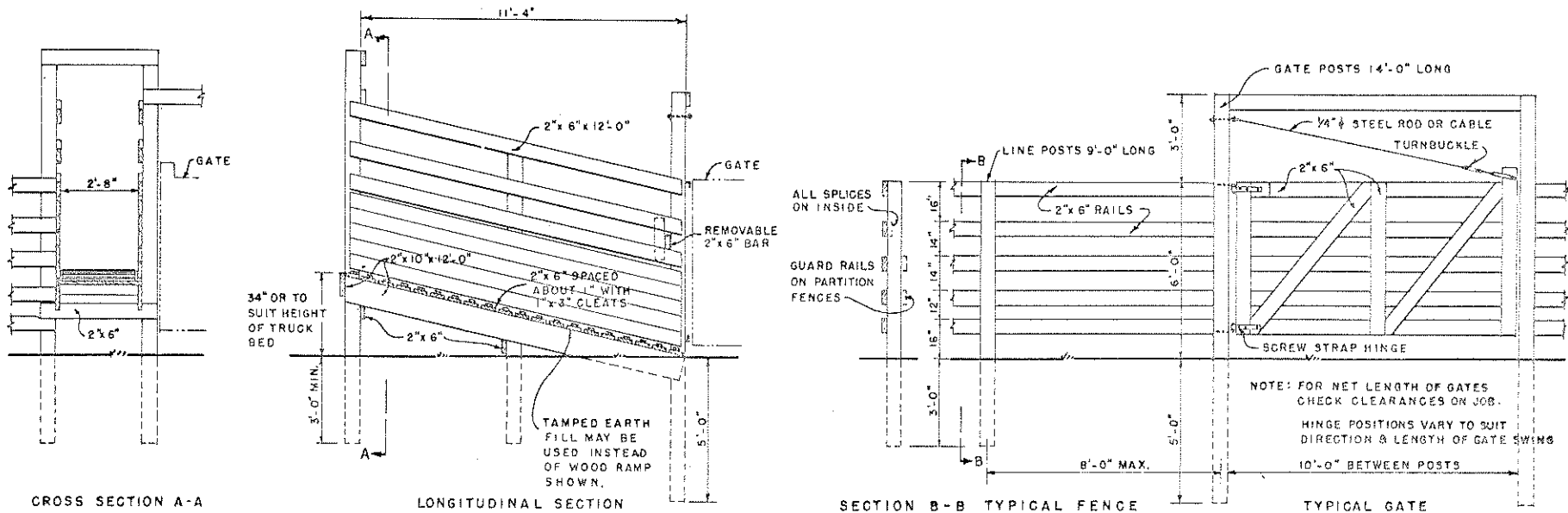
STEP 4



STEP 5

- NOTE:
1. STEP 1 INCLUDES NECESSARY EQUIPMENT. MAX. CAPACITY ABOUT 200 HEAD
 2. STEPS 2 B 3 PROVIDE ADDED CONVENIENCE WITH SAME CAPACITY.
 3. STEPS 4 B 5 SHOW COMPLETION OF CORRAL FOR DOUBLE THE ORIGINAL CAPACITY.

COOPERATIVE EXTENSION WORK IN AGRICULTURE AND HOME ECONOMICS DEPARTMENT OF AGRICULTURAL ENGINEERING UNIVERSITY OF MARYLAND AND UNITED STATES DEPARTMENT OF AGRICULTURE COOPERATING		
EXPANSIBLE CORRAL FOR THE GROWING HERD		
LA.	'54	EX. 5779
		SHEET 1 OF 2.



* IF DESIRED, NARROW SECTION OF CHUTE MAY BE MADE REMOVABLE

NOTE:
 ALL WOOD IN CONTACT WITH EARTH SHOULD BE PRESSURE TREATED WITH CREOSOTE OR OTHER PRESERVATIVE

COOPERATIVE EXTENSION WORK IN AGRICULTURE AND HOME ECONOMICS
 DEPARTMENT OF AGRICULTURAL ENGINEERING
 UNIVERSITY OF MARYLAND
 AND
 UNITED STATES DEPARTMENT OF AGRICULTURE COOPERATING

EXPANSIBLE CORRAL FOR THE GROWING HERD

L.A. '54 EX. 5779 SHEET 2 OF 2