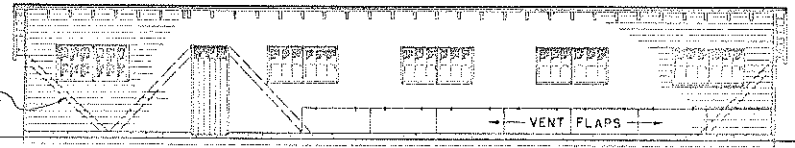


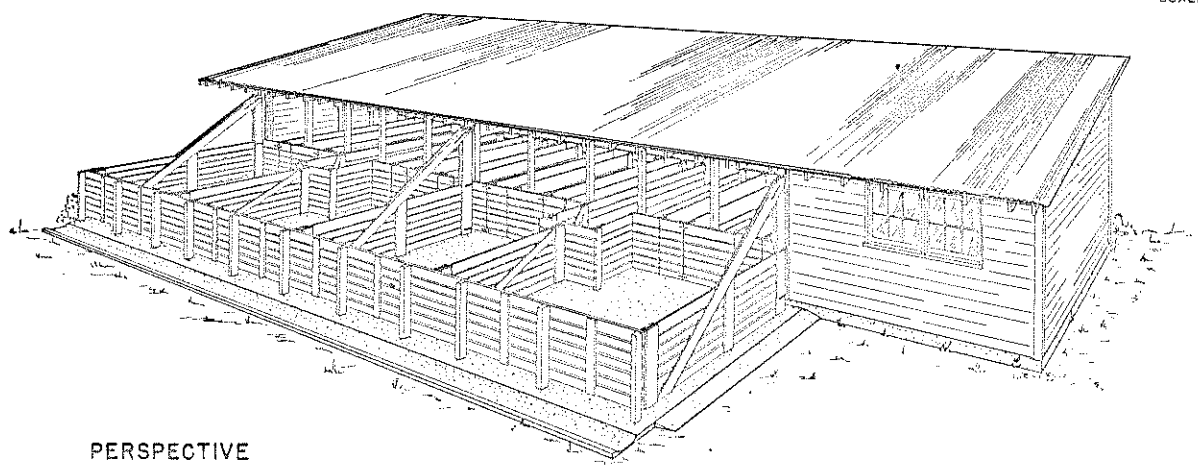
PLAN  
SCALE: 0 2 4 6 FT.

- WIRING LEGEND
- LIGHT OUTLET
  - ⊗ BROODER LAMP OUTLET
  - ⊕ DUPLEX OUTLET
  - ⊙ OUTDOOR FLOOD LIGHTS
  - S SWITCH
  - S<sub>3</sub> 3 WAY SWITCH

SIDING IS NAILED TO 1" X 8" DIAG. BRACES WITH 2-4d NAILS IN EACH BOARD. BRACES ARE NOTCHED INTO STUDS AND SILL.



NORTH ELEVATION  
SCALE: 0 4 8 12 FT.

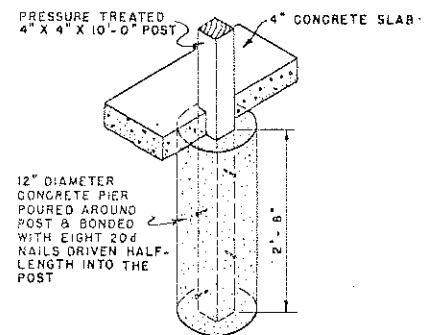
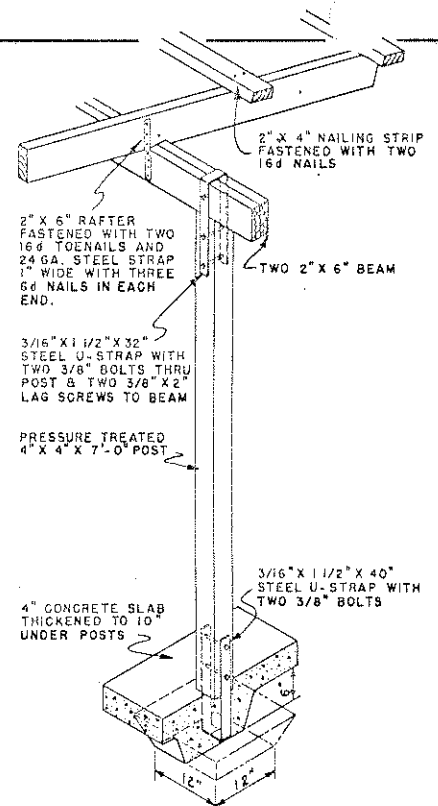
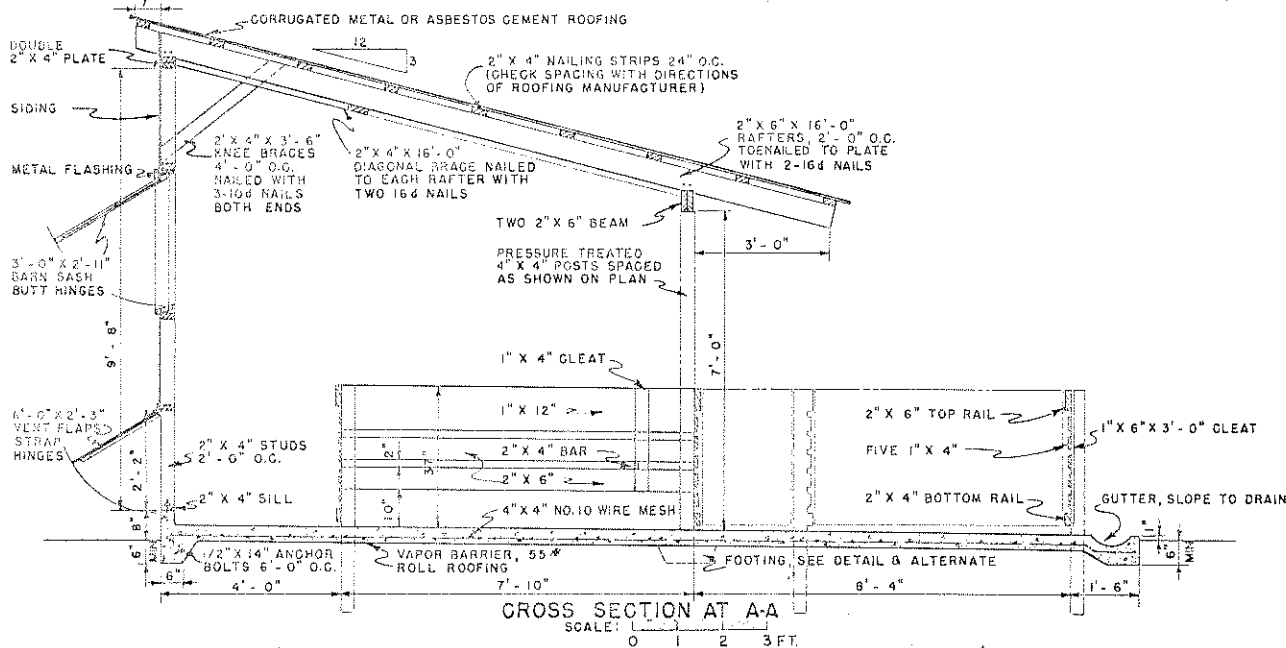


PERSPECTIVE

COOPERATIVE EXTENSION WORK IN  
 AGRICULTURE AND HOME ECONOMICS  
 DEPARTMENT OF AGRICULTURAL ENGINEERING  
 UNIVERSITY OF MARYLAND  
 AND  
 UNITED STATES DEPARTMENT OF AGRICULTURE COOPERATING

**CENTRAL FARROWING HOUSE**  
 STALL TYPE -- OPEN FRONT

L.A. '58 EX. 5795 SHEET 1 OF 2



NOTE:  
ALL WOOD IN CONTACT WITH CONCRETE OR EARTH TO BE PRESSURE TREATED WITH PRESERVATIVE

COOPERATIVE EXTENSION WORK IN AGRICULTURE AND HOME ECONOMICS		
DEPARTMENT OF AGRICULTURAL ENGINEERING		
UNIVERSITY OF MARYLAND		
AND UNITED STATES DEPARTMENT OF AGRICULTURE COOPERATING		
CENTRAL FARROWING HOUSE		
STALL TYPE - OPEN FRONT		
LA '56	EX. 5795	SHEET 2 OF 2

