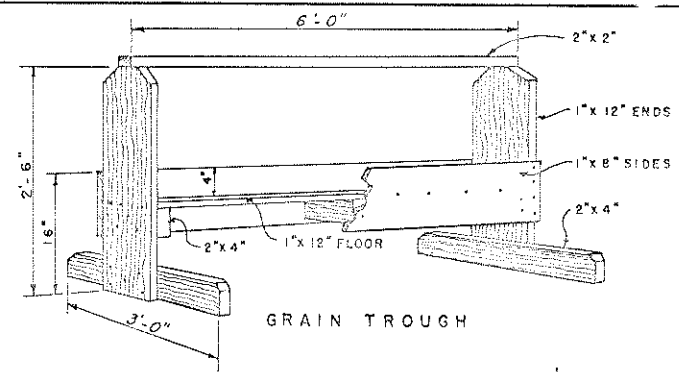
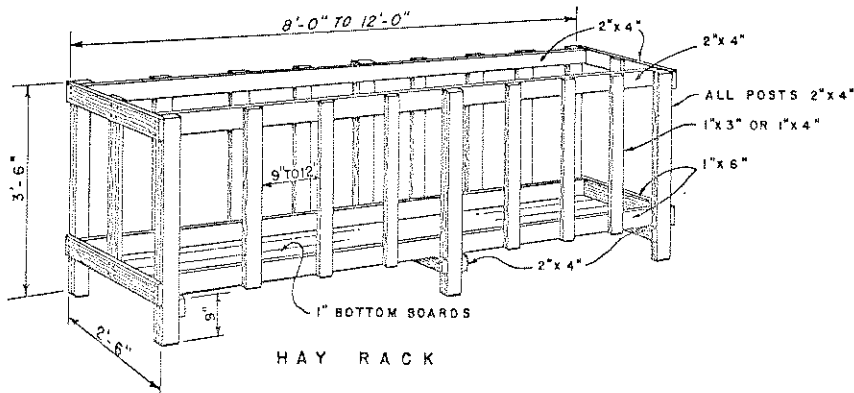


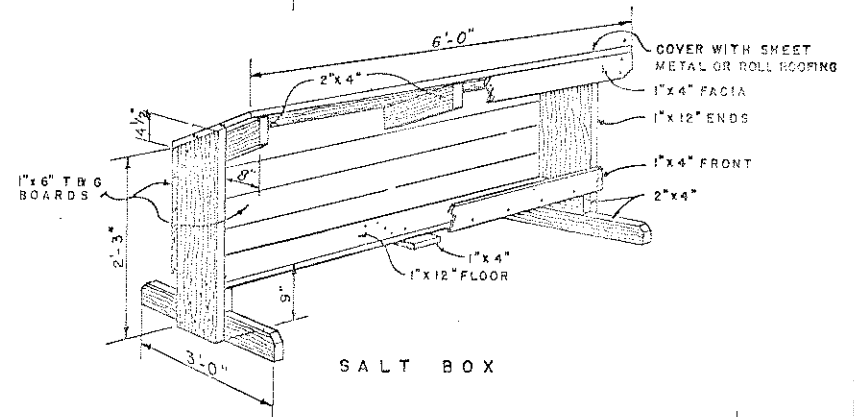
PANELS FOR TEMPORARY  
LAMBING PENS  
ALL PARTS 1" x 4" EXCEPT AS NOTED



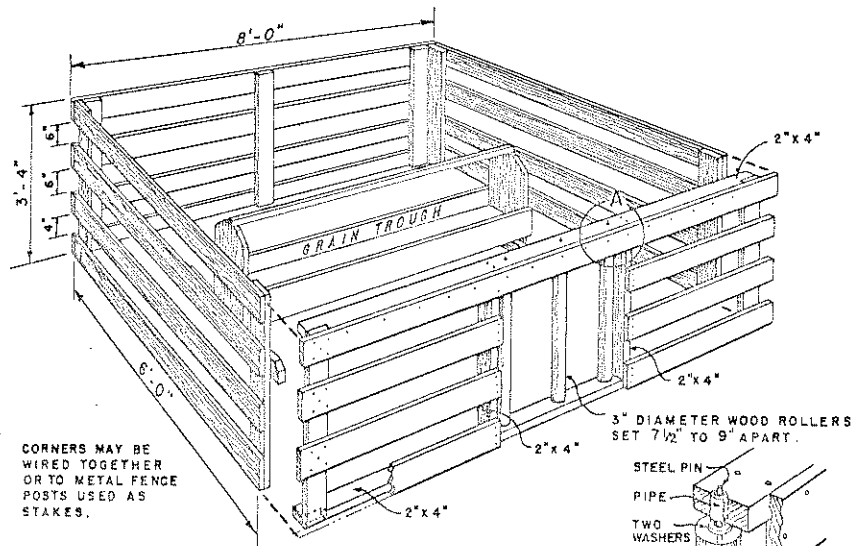
GRAIN TROUGH



HAY RACK

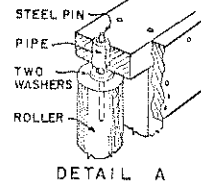


SALT BOX

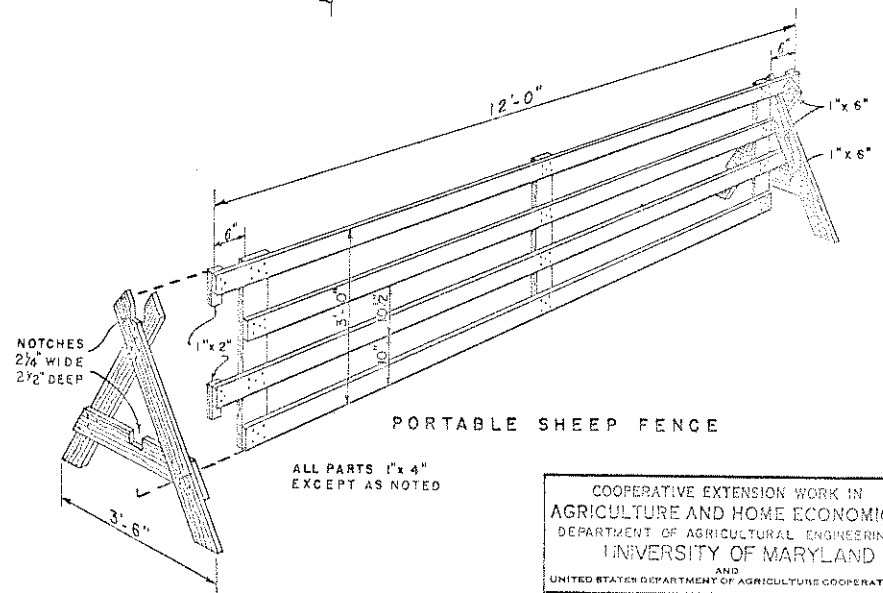


CORNERS MAY BE WIRED TOGETHER OR TO METAL FENCE POSTS USED AS STAKES.

LAMB CREEP  
ALL PARTS 1" x 6" EXCEPT AS NOTED



DETAIL A



PORTABLE SHEEP FENCE

ALL PARTS 1" x 4" EXCEPT AS NOTED

COOPERATIVE EXTENSION WORK IN  
AGRICULTURE AND HOME ECONOMICS  
DEPARTMENT OF AGRICULTURAL ENGINEERING  
UNIVERSITY OF MARYLAND  
AND  
UNITED STATES DEPARTMENT OF AGRICULTURE COOPERATING

CREEP, FENCES AND FEEDERS  
FOR SHEEP

USDA '55 EX. 5802 SHEET 1 OF 1

BASED ON NORTH CAROLINA PLAN NO. 600