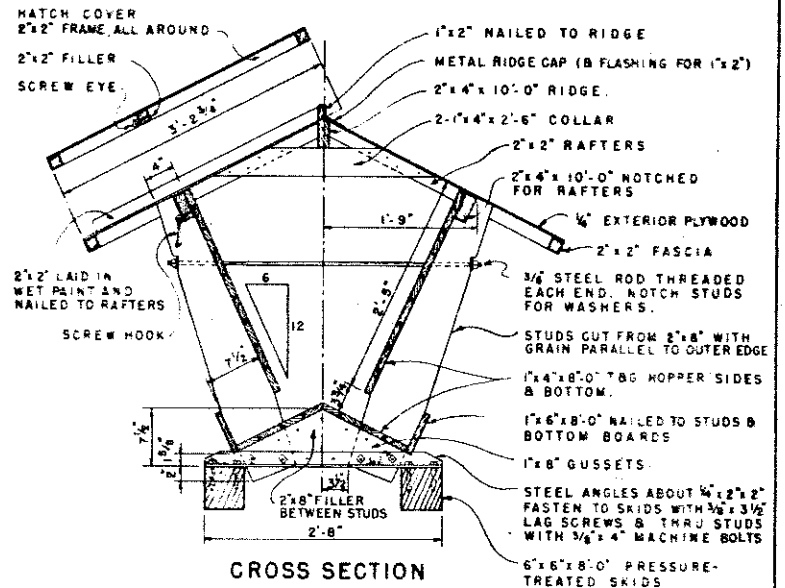
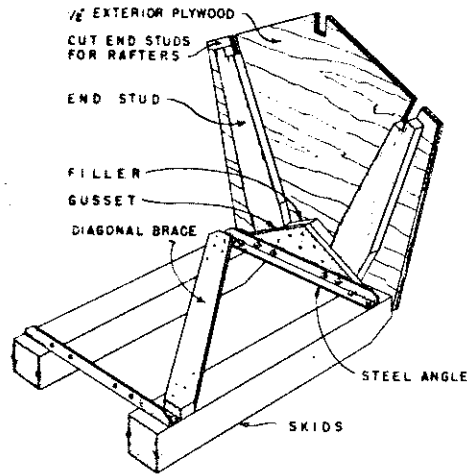
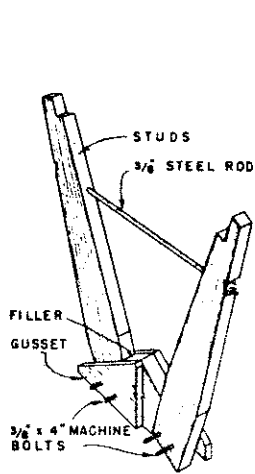
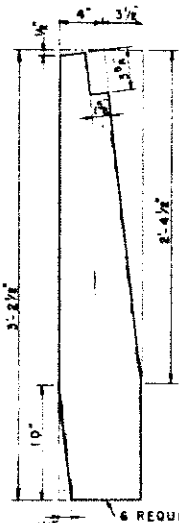


SIDE ELEVATION
CUT AWAY TO SHOW CONSTRUCTION
SCALE 1" = 1'-0"

END ELEVATION



STUD CUTTING DIAGRAM

CENTER FRAME ASSEMBLY

END WALL DETAIL & SKID BRACING

CROSS SECTION

THIS LIST OF MATERIALS IS PREPARED FOR ESTIMATING PURPOSES. IF USED FOR THE PURCHASE OF MATERIALS THE QUANTITIES SHOULD BE VERIFIED BY THE BUILDER.

| LIST OF MATERIALS | | | THIS LIST OF MATERIALS IS PREPARED FOR ESTIMATING PURPOSES. IF USED FOR THE PURCHASE OF MATERIALS THE QUANTITIES SHOULD BE VERIFIED BY THE BUILDER. | | |
|--------------------------|------------------|--------|---|------------------------|--------|
| ITEM | SIZE | PIECES | ITEM | SIZE | PIECES |
| SKIDS (PRESSURE TREATED) | 6" x 6" x 8'-0" | 2 | ENDS (EXTERIOR PLYWOOD) | 4'-0" x 8'-0" x 1/2" | 1 |
| STUDS & FILLER | 2" x 8" x 12'-0" | 2 | TOP (EXTERIOR PLYWOOD) | 4'-0" x 10'-0" x 1/4" | 2 |
| BRACE, FRAME & RIDGE | 2" x 4" x 10'-0" | 4 | METAL RIDGE CAP | 6" x 10'-6" LONG | 1 |
| FRAME, FILLER & RAFTERS | 2" x 2" x 8'-0" | 2 | TOWING HOOKS | | 2 |
| FASCIA | 2" x 2" x 12'-0" | 4 | STEEL ANGLES | 1/4" x 2" x 2" x 2'-8" | 4 |
| GUSSETS | 2" x 2" x 10'-0" | 2 | STEEL ROD (WASHERS & NUTS) | 3/8" x 3'-6" | 1 |
| FEED STOP | 1" x 8" x 8'-0" | 1 | HOOKS & EYES | | 2 |
| COLLARS | 1" x 6" x 8'-0" | 2 | LAG SCREWS | 3/8" x 3 1/2" | 16 |
| RIDGE PIECE | 1" x 4" x 10'-0" | 1 | MACHINE BOLTS | 3/8" x 4" | 12 |
| SIDES & BOTTOM, T.&G. | 1" x 2" x 4'-0" | 1 | | | |
| | 1" x 4" x 8'-0" | 26 | PLYWOOD TO BE SEALED & PAINTED | | |

NOTES:
THIS FEEDER PROVIDES 16' OF TROUGH SPACE AND A HOPPER CAPACITY OF APPROXIMATELY 22 BUSHELS OF FEED

COOPERATIVE EXTENSION WORK IN AGRICULTURE AND HOME ECONOMICS

UNITED STATES DEPARTMENT OF AGRICULTURE COOPERATING

SELF FEEDER
FOR SHEEP

USDA '55 EX. 5808 SHEET 1 OF 1

BASED ON CALIFORNIA PLAN NO. C-72-1