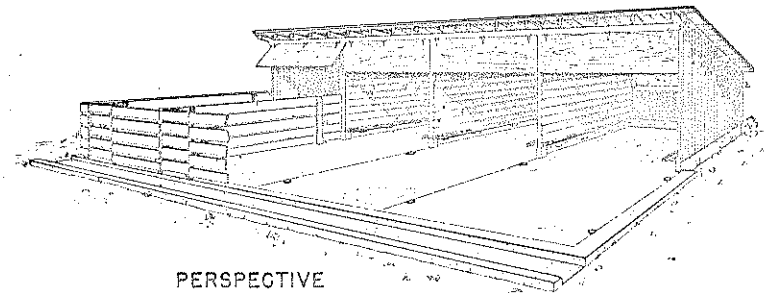
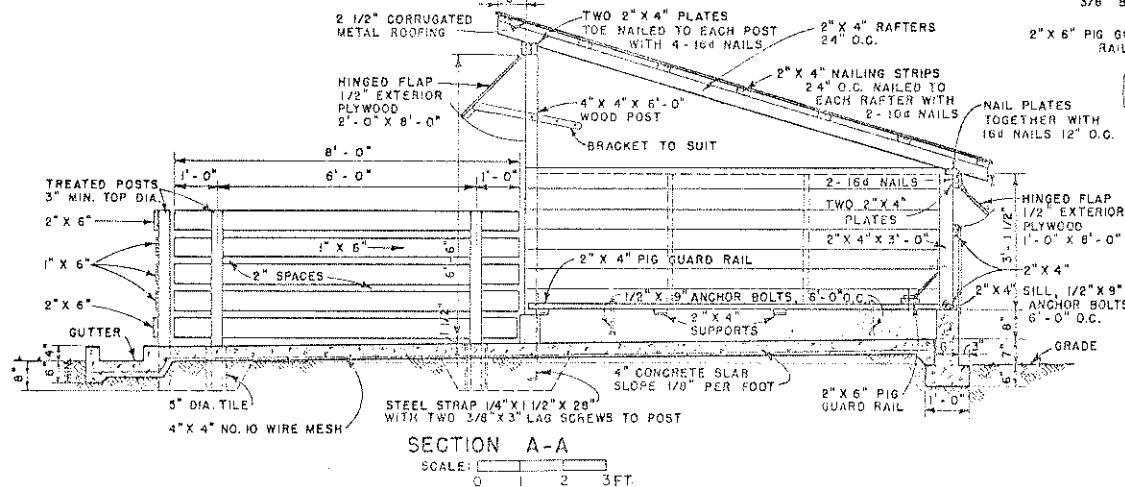


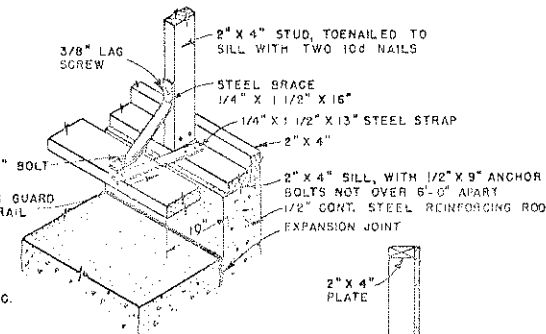
PLAN
SCALE: 0 2 4 6 FT.



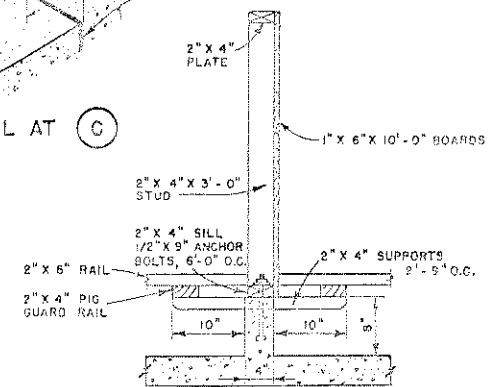
PERSPECTIVE



SECTION A-A
SCALE: 0 1 2 3 FT.



DETAIL AT C



SECTION B-B
TYPICAL PARTITION
SCALE: 0 1 FT.

LIST OF MATERIALS

THIS LIST OF MATERIALS IS PREPARED FOR ESTIMATING PURPOSES. IF USED FOR THE PURCHASE OF MATERIALS, THE QUANTITIES SHOULD BE VERIFIED BY THE BUILDER.

ITEM	SIZE	PIECES	ITEM	SIZE	PIECES
CONCRETE: 1: 2 1/2: 3 1/2 MIX		10 CU.YD.	OUTER FENCE & GATES	1" X 6" X 8'-0"	12
CEMENT		72 SACKS		1" X 6" X 10'-0"	4
SAND		6 CU.YD.	PLATE	2" X 4" X 18'-0"	8
GRAVEL		8 1/2 CU.YD.	RAFTERS	2" X 4" X 18'-0"	17
LUMBER:			NAILING STRIPS	2" X 4" X 18'-0"	14
POLES (PRESSURE TREATED 3" TOP DIA.)	5' LONG	19	NAILING GRTS.	2" X 4" X 12'-0"	4
POSTS	4" X 4" X 10'-0"	5		2" X 4" X 10'-0"	10
STUDS	2" X 4" X 12'-0"	3	SIDING, T & G	1" X 6" X 10'-0"	228 BO.FT.
SILL	2" X 4" X 12'-0"	2	PARTITIONS		21
SILL & PLATE	2" X 4" X 10'-0"	9	VENTILATING FLAPS (CUT FROM 1/2" EXT. PLY.)	4 X 8"	3
PIG GUARD RAIL & SUPPORTS	2" X 6" X 8'-0"	4	ROOFING & HARDWARE: CORRUGATED METAL	2 1/2" X 12"	17 SHEETS
	2" X 4" X 10'-0"	8	REINFORCING ROD	1/2" ROUND	54 FT.
	2" X 4" X 12'-0"	3	ANCHOR BOLTS	1/2" X 9"	16
BROODER FENCE	2" X 4" X 8'-0"	2	VENTILATING FLAP-HINGES	4" X 4"	12 PR.
	2" X 6" X 12'-0"	4	GATE HARDS (SWIVEL TYPE)		4 PR.
	1" X 6" X 12'-0"	4	GATE SCREW HOOK & STRAP HINGE		4 PR.
REMOVABLE FENCE	1" X 6" X 8'-0"	25	GRADE & STRAPS (STEEL)	8"	4 PR.
OUTER FENCE & GATES	2" X 6" X 8'-0"	8	REINFORCING WELDED WIRE MESH	1/4" X 1 1/2" 4" X 4" NO.10	256 FT.
					70450 FT.

COOPERATIVE EXTENSION WORK IN
AGRICULTURE AND HOME ECONOMICS
DEPARTMENT OF AGRICULTURAL ENGINEERING
UNIVERSITY OF MARYLAND
AND
UNITED STATES DEPARTMENT OF AGRICULTURE COOPERATING

FARROWING HOUSE

ALA. '36 EX. 5817 SHEET 1 OF 1