

22'-0"
4'-0"
80'-0"

20'-0"

SOLID GATES
6'-0" HIGH

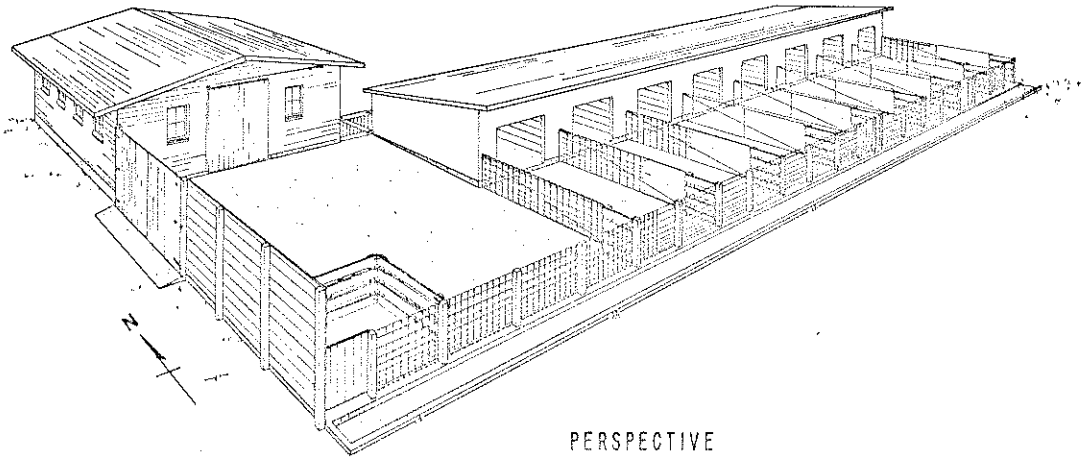
RAMP

SOLID FENCE
6'-0" HIGH FOR
WINDBREAK

NOTE: FEED STORAGE
MAY BE LOCATED AT
WEST SIDE OF PEN
TO SERVE AS WIND-
BREAK



- WIRING LEGEND**
- LIGHT OUTLET
 - ⊙_{BL} BROODER LAMP OUTLET
 - ⊙_W WALL LIGHT OUTLET
 - OUTDOOR FLOOD LIGHTS
 - S SWITCH
 - S₃ 3 WAY SWITCH



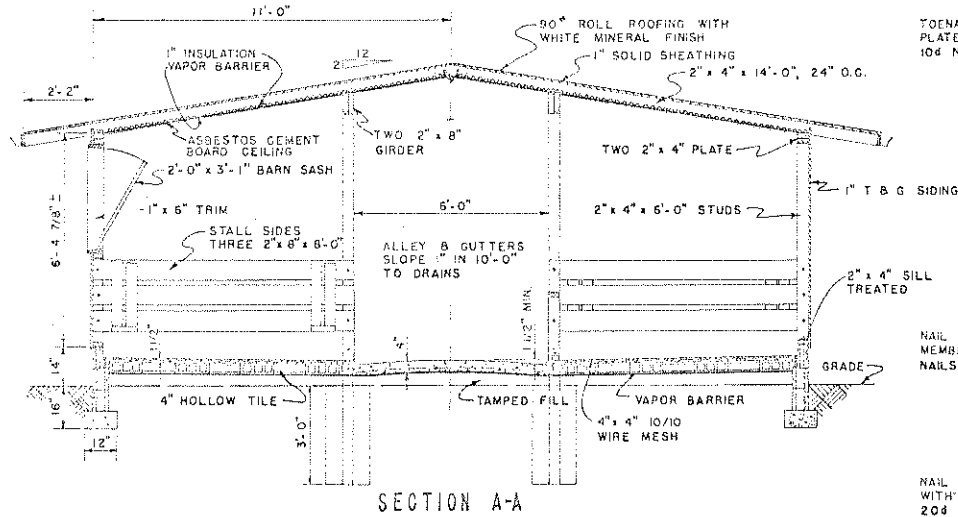
PERSPECTIVE

COOPERATIVE EXTENSION WORK IN
AGRICULTURE AND HOME ECONOMICS
DEPARTMENT OF AGRICULTURAL ENGINEERING
UNIVERSITY OF MARYLAND
AND
UNITED STATES DEPARTMENT OF AGRICULTURE COOPERATING

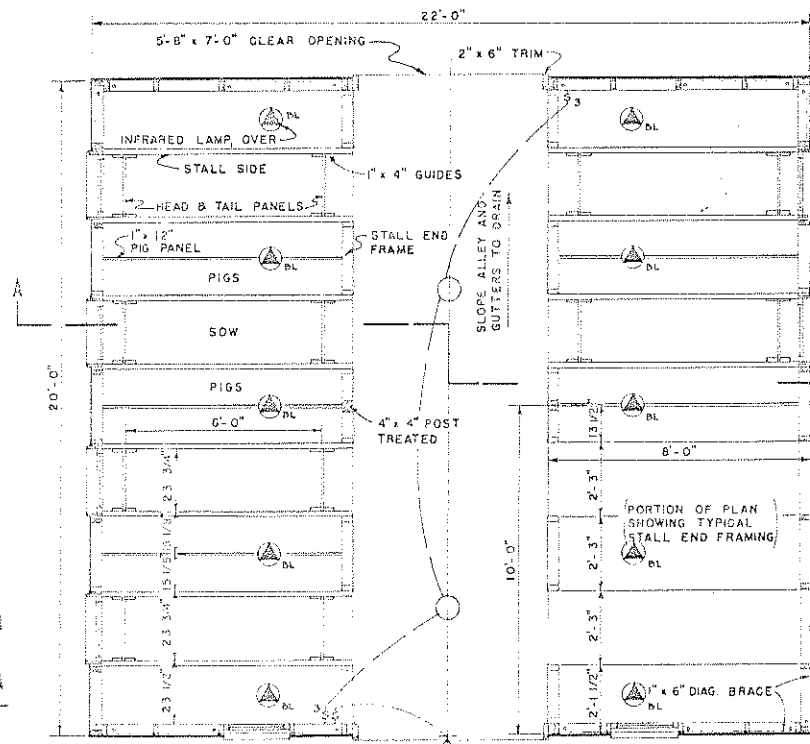
PIG PRODUCTION PLANT

USDA	'56	EX. 5825	SHEET 1 OF 2
------	-----	----------	--------------

DETAILS OF CONSTRUCTION

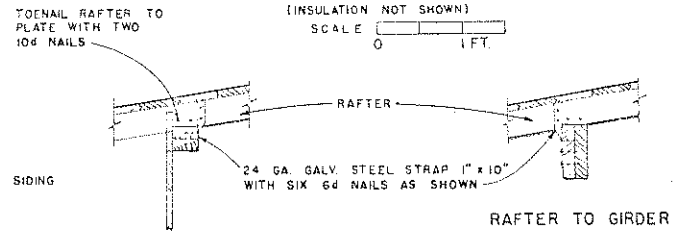


SECTION A-A

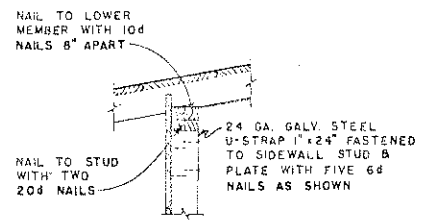


PLAN

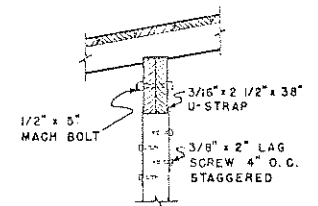
SCALE: 0 1 2 3 4 FT.



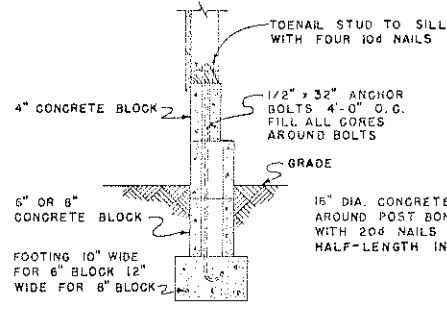
RAFTER TO GIRDER



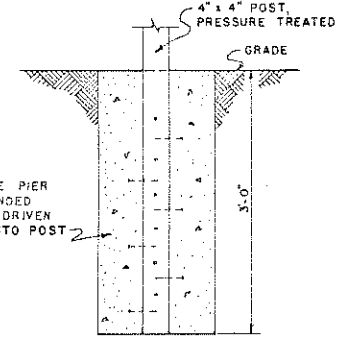
STUD TO PLATE



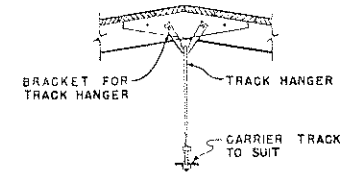
POST TO GIRDER



FOUNDATION DETAIL



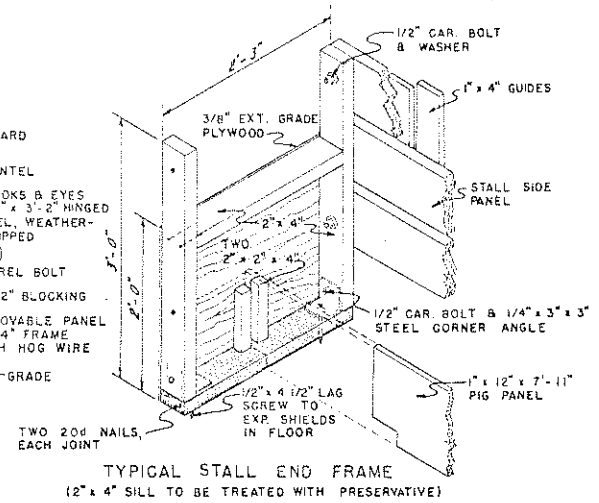
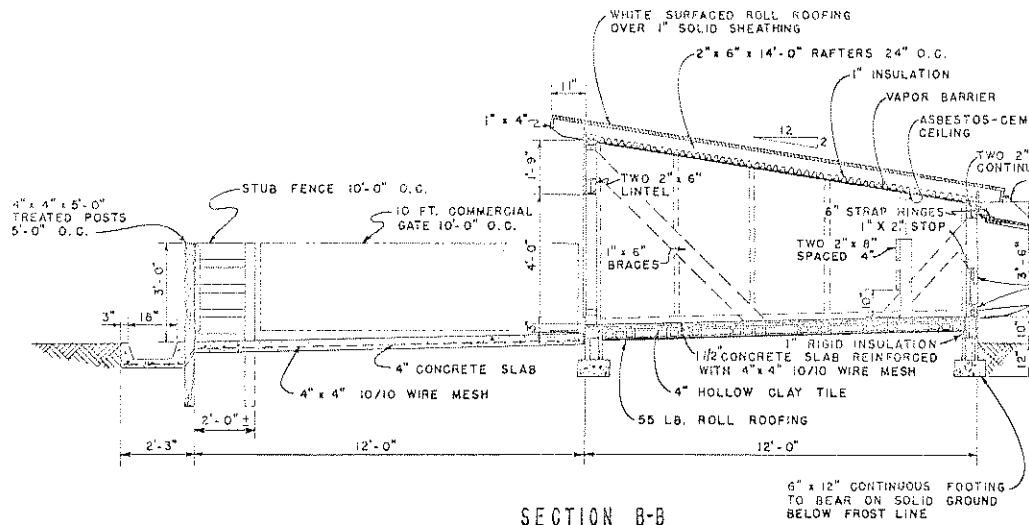
CONCRETE PIER DETAIL



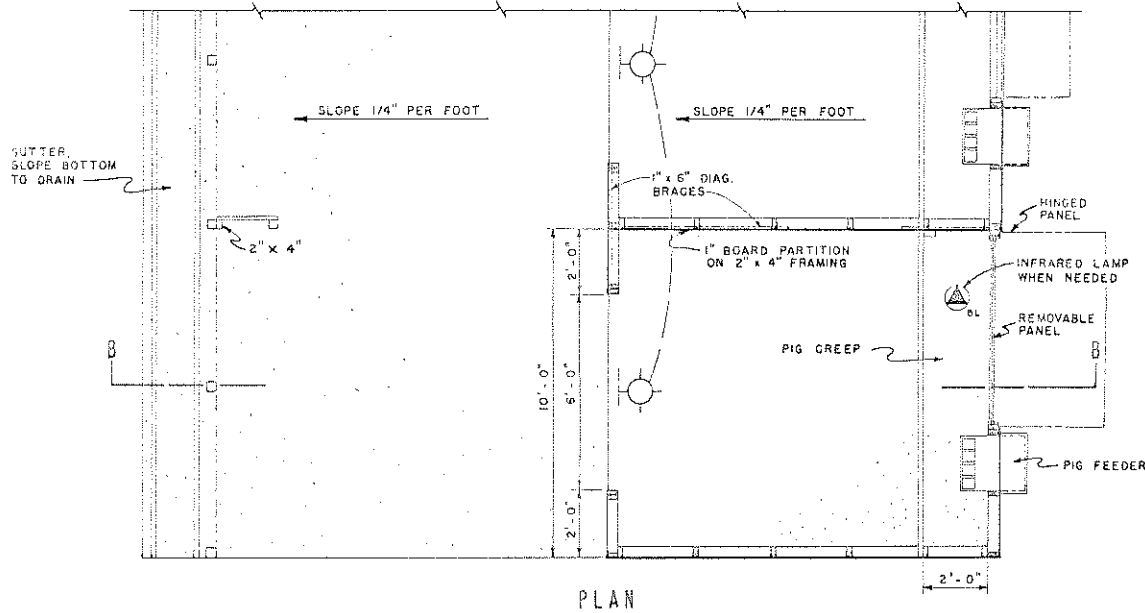
RIDGE DETAIL

COOPERATIVE EXTENSION WORK IN
 AGRICULTURE AND HOME ECONOMICS
 DEPARTMENT OF AGRICULTURAL ENGINEERING
 UNIVERSITY OF MARYLAND
 AND
 UNITED STATES DEPARTMENT OF AGRICULTURE COOPERATING

PIG PRODUCTION PLANT		
USDA '56	EX. 5825	SHEET 2 OF 3

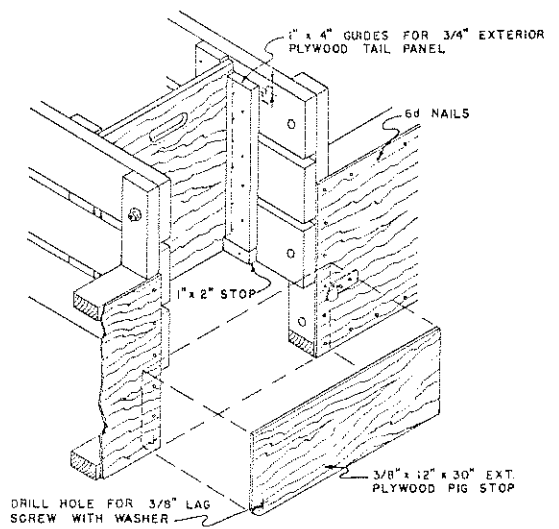


SECTION B-B



PLAN
 PEN & DEVELOPING SHED

SCALE: 0 1 2 3 4 FT.



EXTERIOR VIEW

FARROWING STALL DETAIL

COOPERATIVE EXTENSION WORK IN
 AGRICULTURE AND HOME ECONOMICS
 DEPARTMENT OF AGRICULTURAL ENGINEERING
 UNIVERSITY OF MARYLAND
 AND
 UNITED STATES DEPARTMENT OF AGRICULTURE COOPERATING

PIG PRODUCTION PLANT

USDA '56 EX 5825 SHEET 3 OF 3