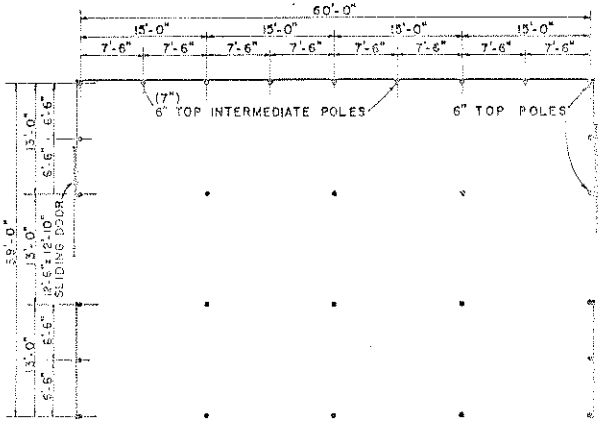
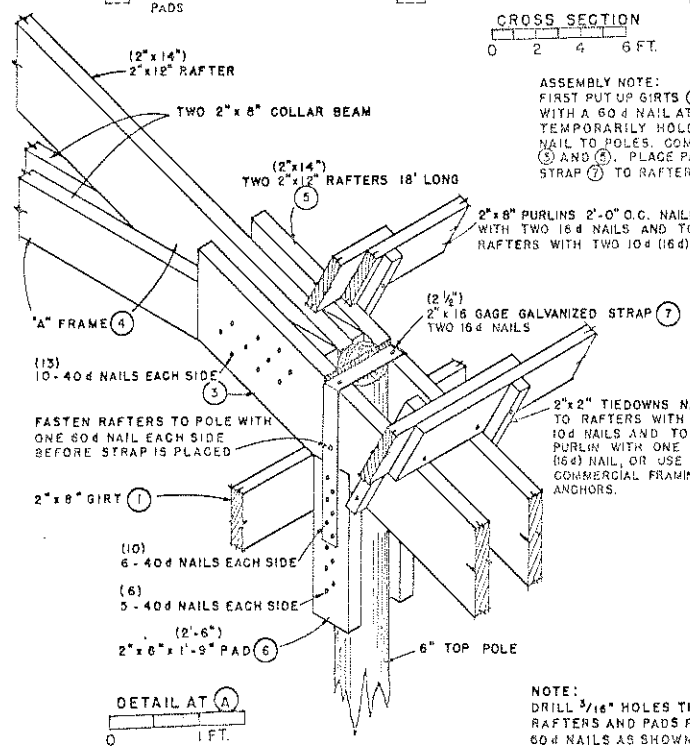


ROOF FRAMING PLAN
SCALE: 0 4 8 12 16 FT.



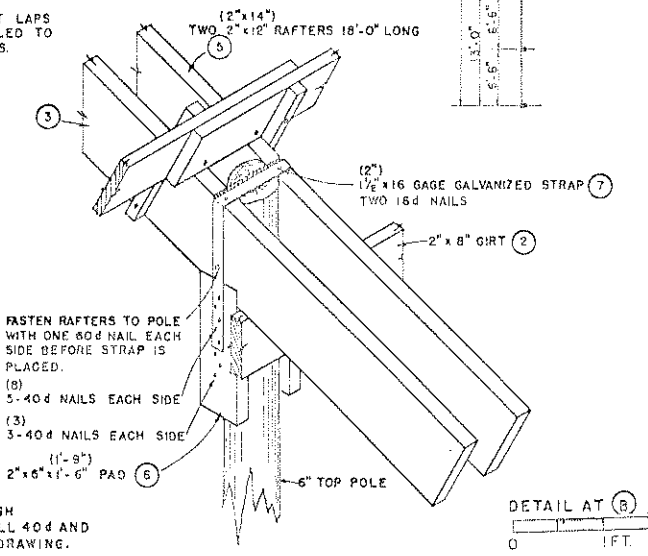
FLOOR PLAN
SCALE: 0 4 8 12 16 FT.

NOTE:
THIS BUILDING IS DESIGNED FOR AREAS OF THE UNITED STATES WHERE THE SNOW LOAD IS 20 LB. (OR 30 LB.) PER SQUARE FOOT, OR WIND DOES NOT EXCEED 80 (OR 100) MILES PER HOUR. FRAMING SIZE AND NAILS FOR 30 LB. LOAD OR 100 MILE PER HOUR WIND SHOWN IN PARENTHESES (...).



CROSS SECTION
0 2 4 6 FT.

ASSEMBLY NOTE:
FIRST PUT UP GIRTS ① AND ② THEN NAIL RAFTER ③ TO POLES WITH A 60d NAIL AT EACH END. PUT "A" FRAME ④ IN PLACE AND TEMPORARILY HOLD WITH 3-40d NAILS. PLACE RAFTER ⑤ AND NAIL TO POLES. COMPLETE NAILING FROM OPPOSITE SIDES OF RAFTERS ⑤ AND ③. PLACE PAD ⑥ IN POSITION AND HOLD WITH 2-40d NAILS. FASTEN STRAP ⑦ TO RAFTERS WITH TWO 16d NAILS. COMPLETE NAILING OF PADS AND STRAP.



DETAIL AT (B)
0 1 FT.

NOTE:
DRILL 3/16\"/>

COOPERATIVE EXTENSION WORK IN
AGRICULTURE AND HOME ECONOMICS
DEPARTMENT OF AGRICULTURAL ENGINEERING
UNIVERSITY OF MARYLAND

UNITED STATES DEPARTMENT OF AGRICULTURE COOPERATING

TYPE "A" POLE CONSTRUCTION 30' WIDTH
RIDGE CENTERED BETWEEN POLE ROWS

450A '57 EX. 5830 SHEET 1 OF 1