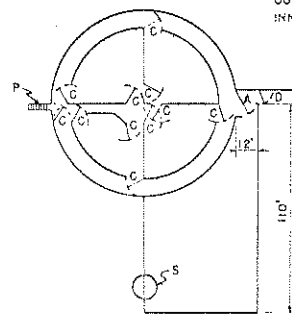
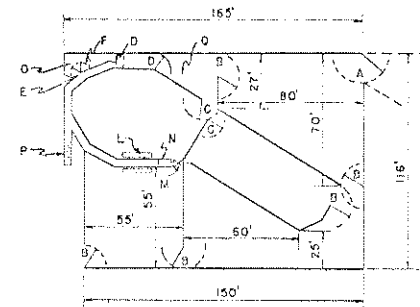


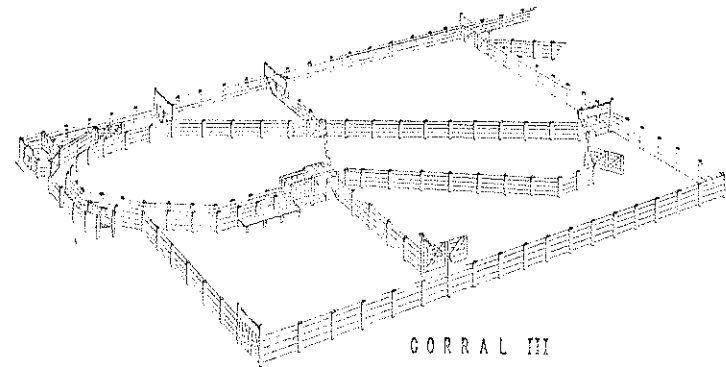
CORRAL II



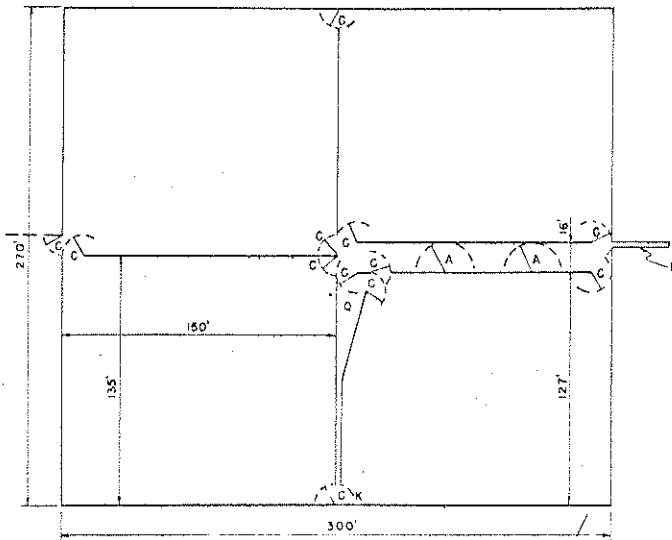
OUTER RING 100' DIA.
INNER RING 80' DIA.



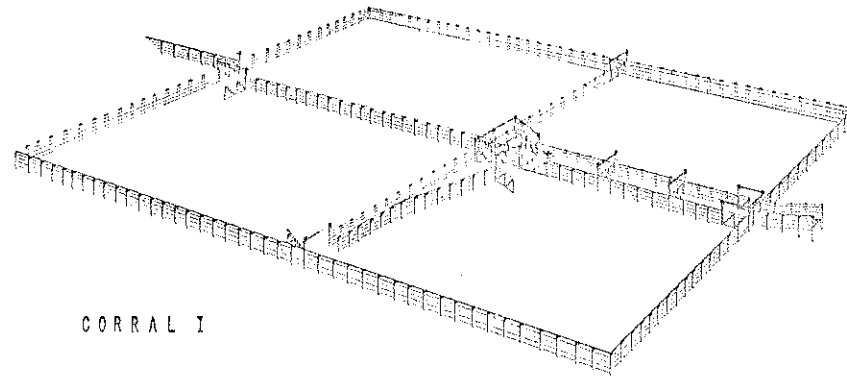
- A - 16' - 0" GATE
- B - 12' - 0" "
- C - 10' - 0" "
- D - 8' - 0" "
- E - 6' - 0" "
- F - 5' - 0" "
- G - 4' - 0" "
- K - CUTTING GATE
- L - PLATFORM
- M - FOUR-WAY SORTING GATES
- N - SQUEEZE
- O - SCALES
- P - LOADING CHUTE
- Q - CROWDING CHUTE
- R - HEAD GATE
- S - WATER TANK



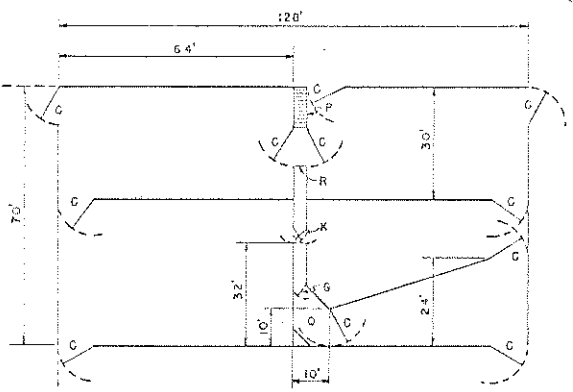
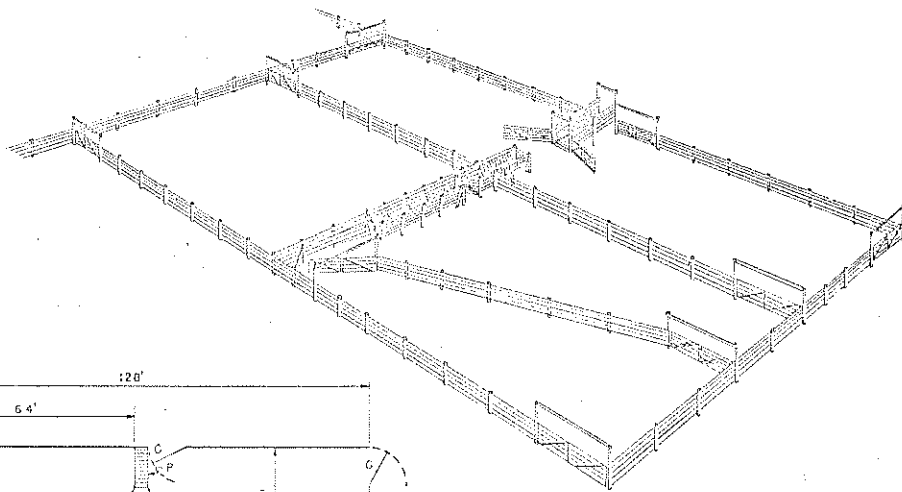
CORRAL III



CORRAL I

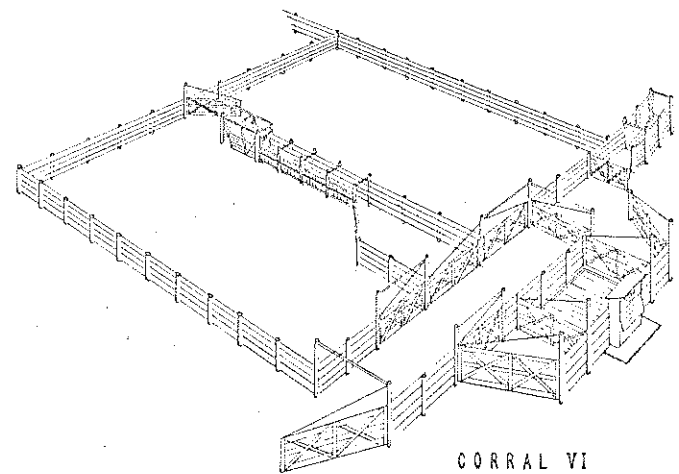
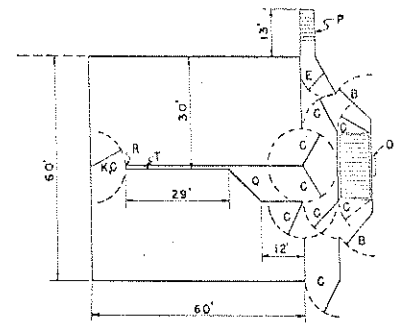


| | | |
|---|---------|--------------|
| COOPERATIVE EXTENSION WORK IN AGRICULTURE AND HOME ECONOMICS DEPARTMENT OF AGRICULTURAL ENGINEERING UNIVERSITY OF MARYLAND AND UNITED STATES DEPARTMENT OF AGRICULTURE COOPERATING | | |
| SIX CORRALS FOR BEEF CATTLE | | |
| U.S. A. '57 | EX-5835 | SHEET 1 OF 2 |

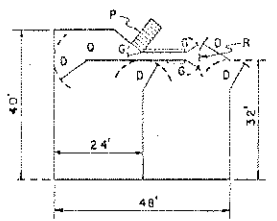
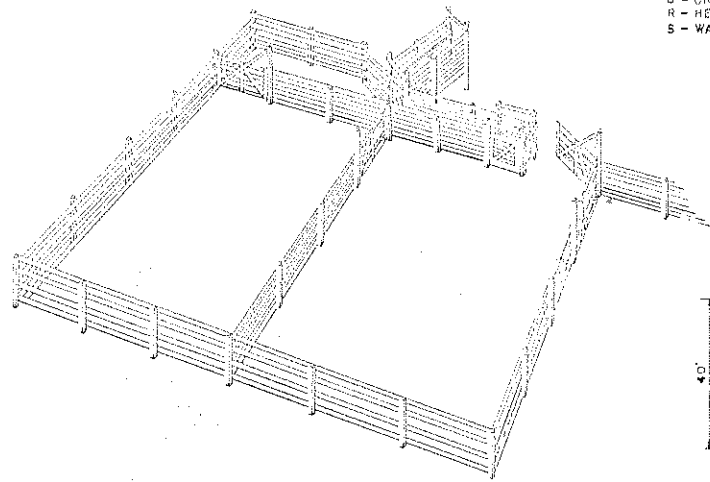


CORRAL V

- A - 16'-0" GATE
- C - 12'-0" "
- C - 10'-0" "
- D - 9'-0" "
- E - 8'-0" "
- F - 6'-0" "
- G - 5'-0" "
- K - CUTTING GATE
- L - PLATFORM
- M - FOUR-WAY SORTING GATES
- N - SQUEEZE
- O - SCALES
- P - LOADING CHUTE
- Q - GROWING CHUTE
- R - HEAD GATE
- S - WATER TANK



CORRAL VI



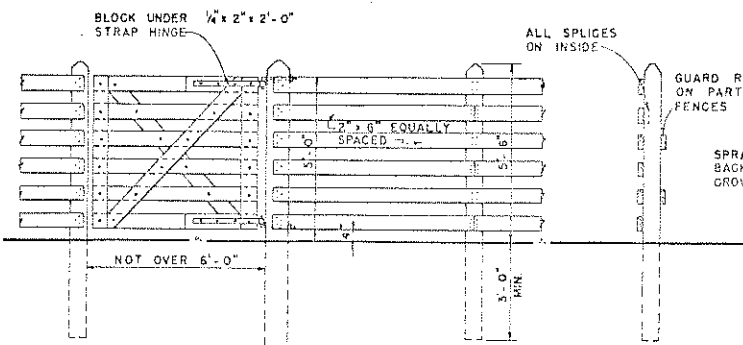
CORRAL IV

COOPERATIVE EXTENSION WORK IN
 AGRICULTURE AND HOME ECONOMICS
 DEPARTMENT OF AGRICULTURAL ENGINEERING
 UNIVERSITY OF MARYLAND
 AND
 UNITED STATES DEPARTMENT OF AGRICULTURE COOPERATING

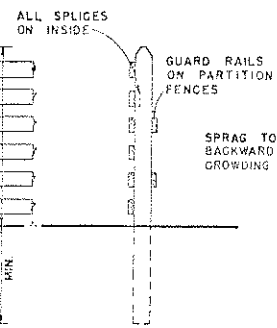
**SIX CORRALS
 FOR BEEF CATTLE**

USDA '57 EX. 5835 SHEET 2 OF 3

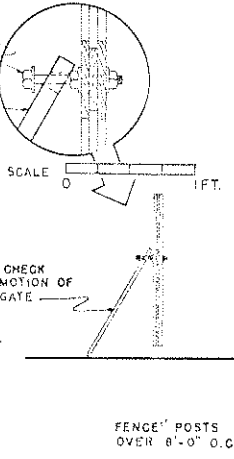
NOTE: HINGE POSITIONS VARY TO SUIT DIRECTION AND LENGTH OF GATE SWING



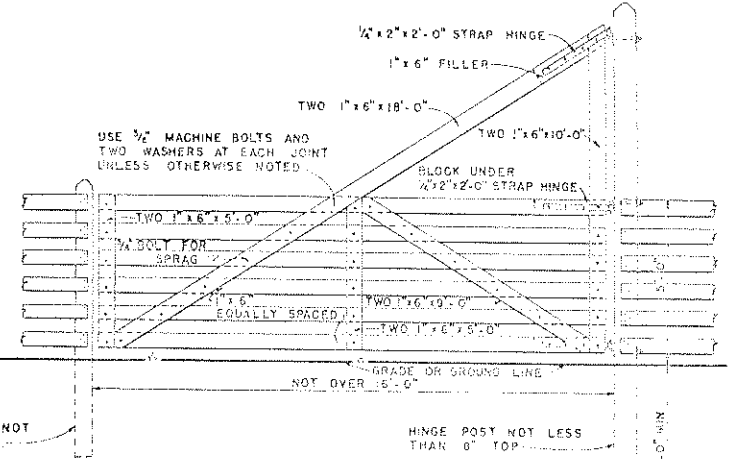
TYPICAL GATE



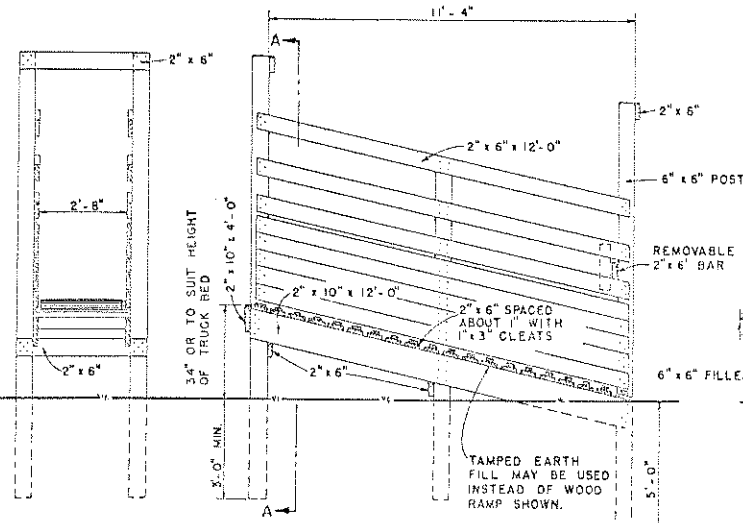
SECTION THRU FENCE



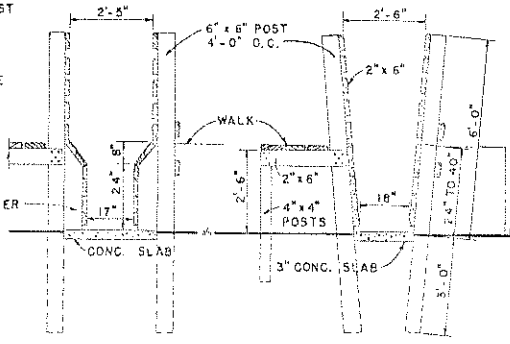
SECTION THRU GATE



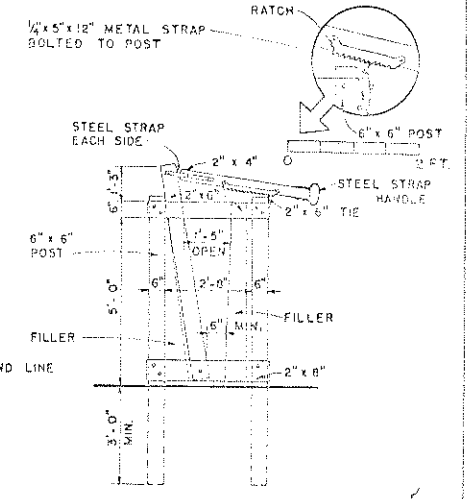
TYPICAL GATE



SECTION A-A LONGITUDINAL SECTION LOADING RAMP



SECTION CHUTES



ELEVATION HEAD GATE

0 1 2 3 4 FT. EXCEPT AS OTHERWISE NOTED

NOTE: ALL WOOD IN CONTACT WITH EARTH SHOULD BE PRESSURE TREATED WITH PRESERVATIVE.

COOPERATIVE EXTENSION WORK IN AGRICULTURE AND HOME ECONOMICS
 DEPARTMENT OF AGRICULTURAL ENGINEERING
 UNIVERSITY OF MARYLAND
 AND
 UNITED STATES DEPARTMENT OF AGRICULTURE COOPERATING

SIX CORRALS FOR BEEF CATTLE

USDA '57 EX-5835 SHEET 3 OF 3