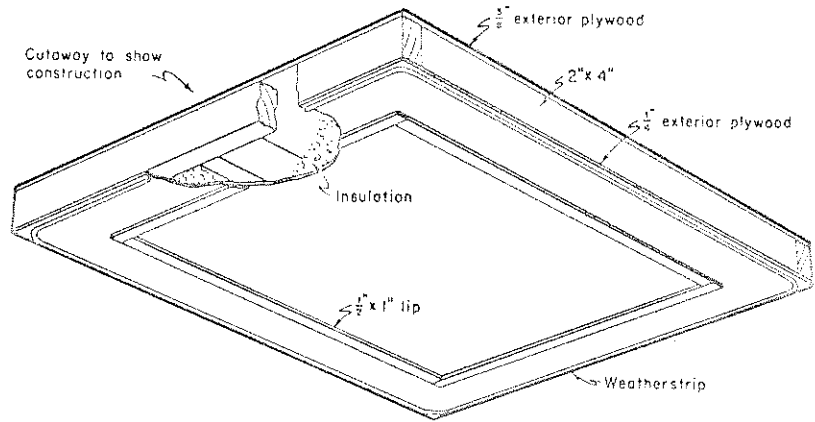
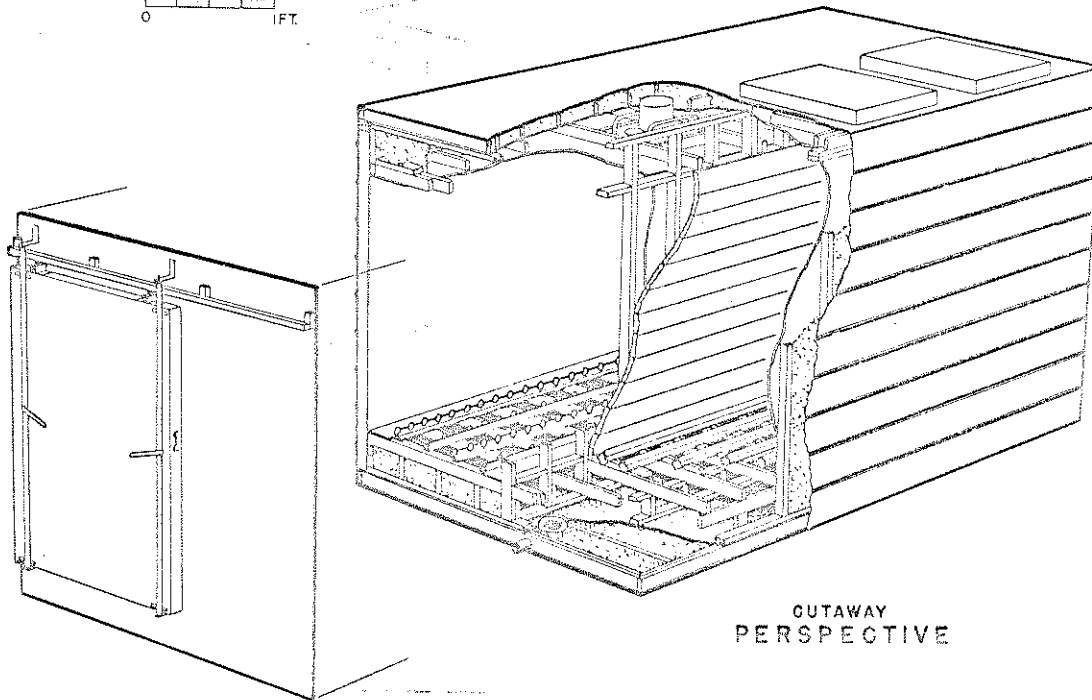


ECCENTRIC DOOR JAM DETAIL

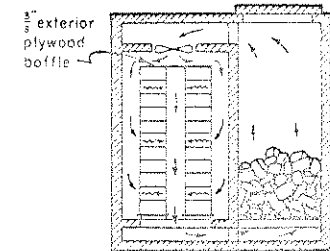
0 1 FT.



HATCH COVER DETAIL
DOOR CONSTRUCTION IS SIMILAR



CUTAWAY
PERSPECTIVE

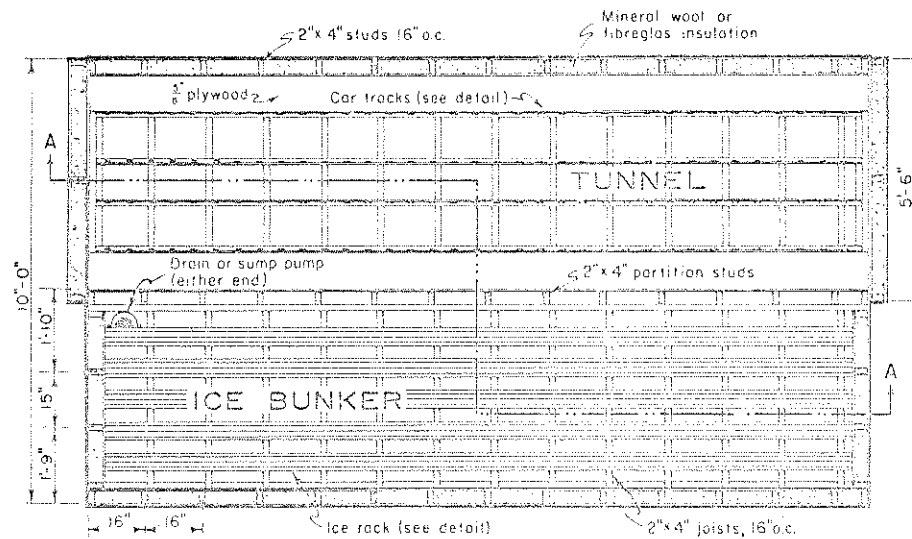


SECTION
AIR FLOW DIAGRAM

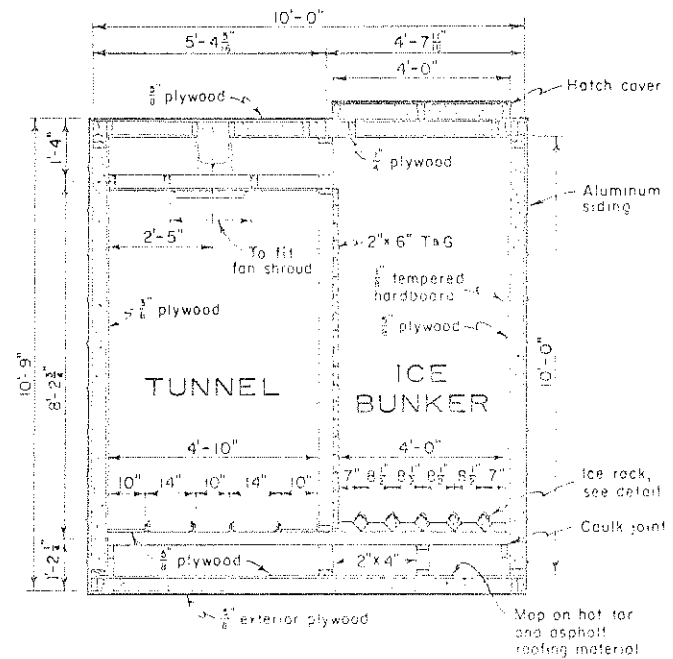
COOPERATIVE EXTENSION WORK IN
AGRICULTURE AND HOME ECONOMICS
DEPARTMENT OF AGRICULTURAL ENGINEERING
UNIVERSITY OF MARYLAND
AND
UNITED STATES DEPARTMENT OF AGRICULTURE COOPERATING

FORCED AIR
FRUIT COOLER

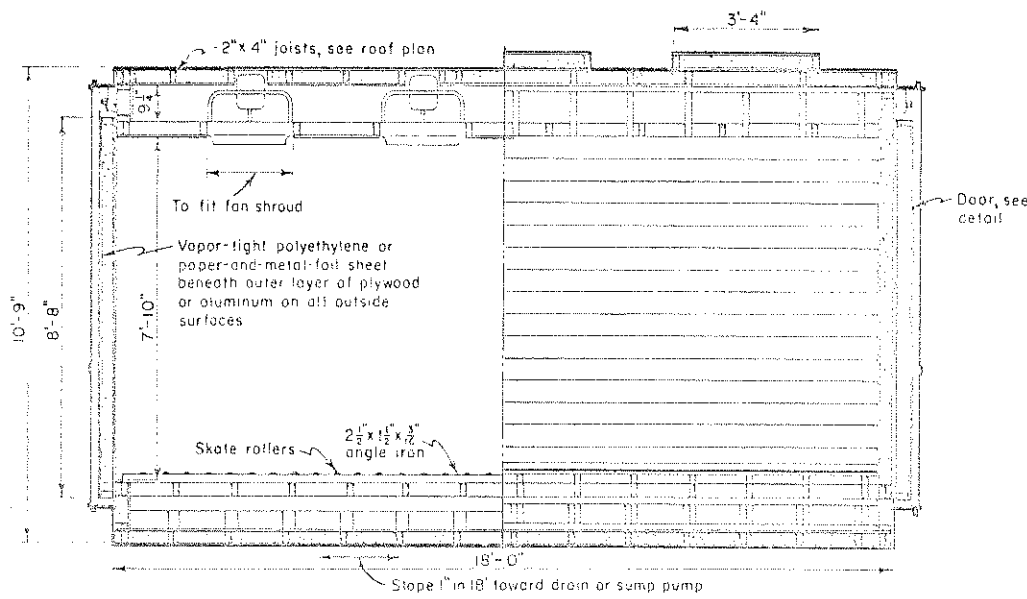
CAL. '33 EX. 5860 SHEET 1 OF 2



PLAN VIEW

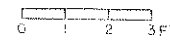


TYPICAL SECTION

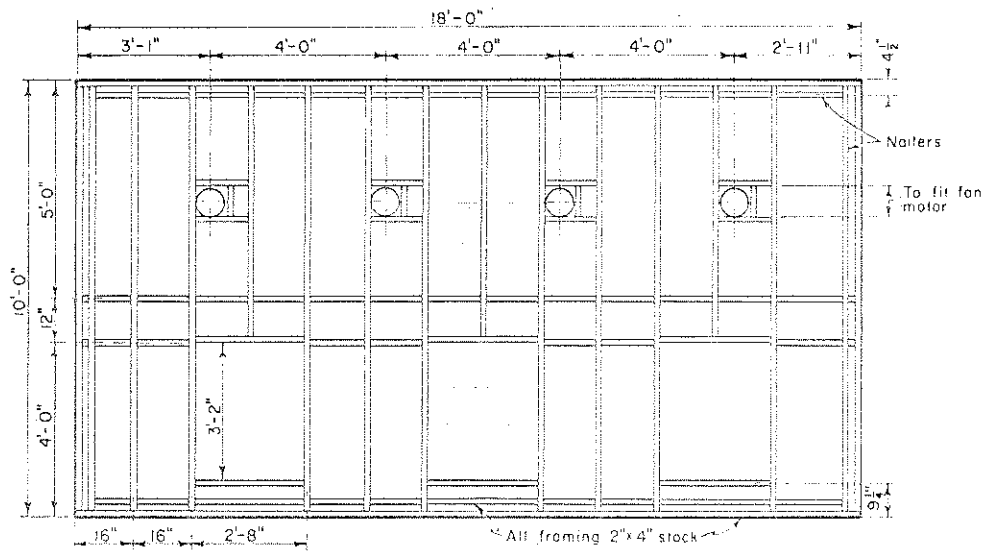


SECTION A-A

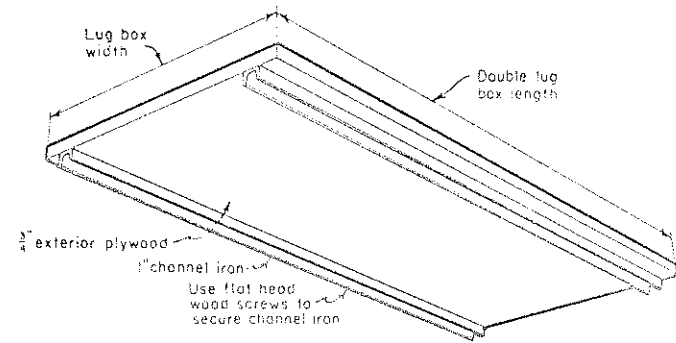
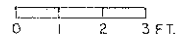
NOTE:
FOUR FANS, WITH A TOTAL
CAPACITY OF 6500 cfm
AT 3/4" STATIC PRESSURE
ARE REQUIRED



COOPERATIVE EXTENSION WORK IN AGRICULTURE AND HOME ECONOMICS DEPARTMENT OF AGRICULTURAL ENGINEERING UNIVERSITY OF MARYLAND		
UNITED STATES DEPARTMENT OF AGRICULTURE COOPERATING		
FORCED AIR FRUIT COOLER		
CAL. '58	EX. 5860	SHEET 2 OF 3

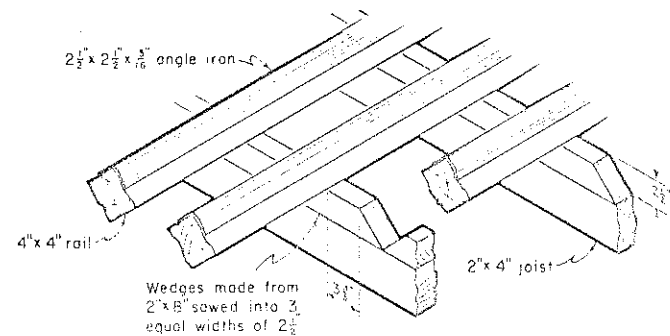


ROOF FRAMING

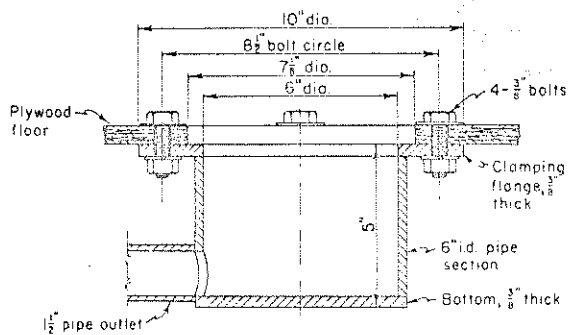
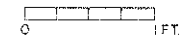


FRUIT CAR DETAIL

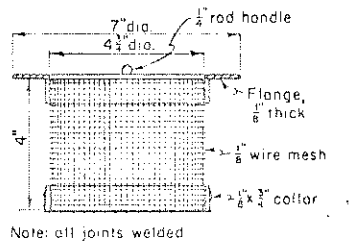
Six required



ICE RACK DETAIL

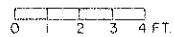


HOUSING



SCREEN CUP

DRAIN DETAIL



COOPERATIVE EXTENSION WORK IN AGRICULTURE AND HOME ECONOMICS DEPARTMENT OF AGRICULTURAL ENGINEERING UNIVERSITY OF MARYLAND AND UNITED STATES DEPARTMENT OF AGRICULTURE COOPERATING		
FORCED AIR FRUIT COOLER		
CAL.	'48	EX. 5960 SHEET 3 OF 3