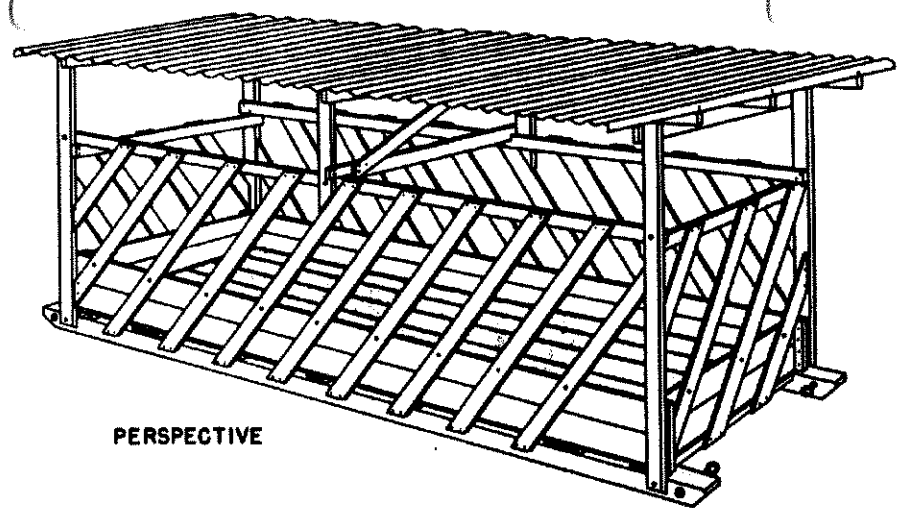
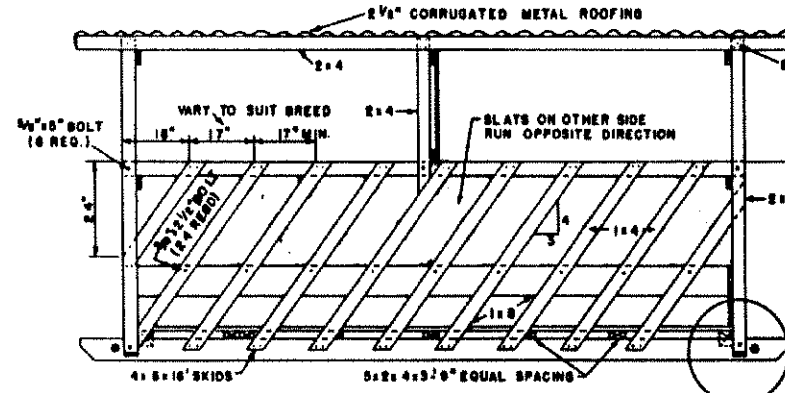


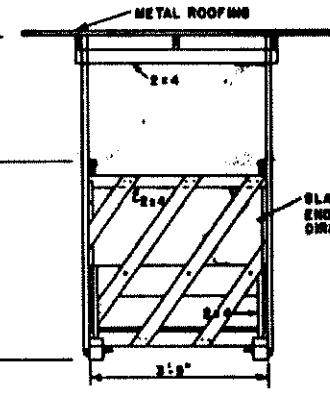
ROOF
FLOOR
FRAME
PLAN



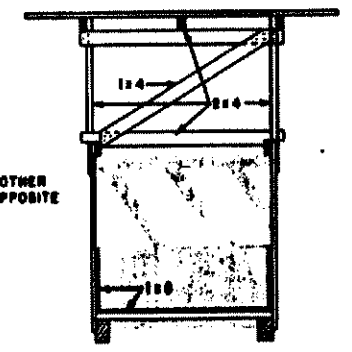
PERSPECTIVE



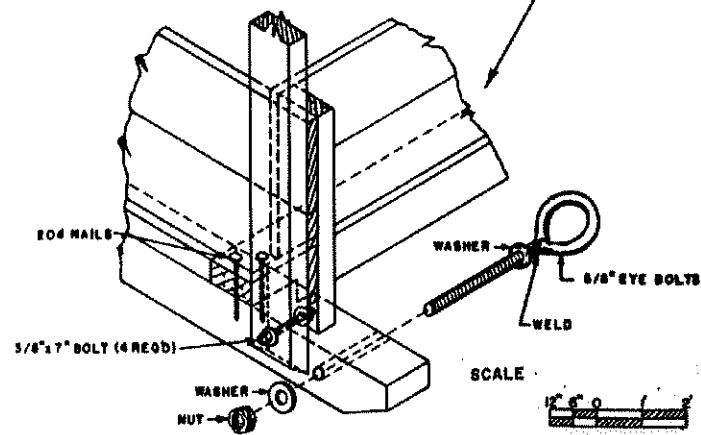
SIDE VIEW



END VIEW



CROSS SECTION



NOTES:
ALL LUMBER IN CONTACT WITH OR WITHIN 12" OF GROUND SHOULD BE PRESSURE TREATED.
SOME PRESSURE TREATED POSTS & LUMBER USE PRESERVATIVES THAT EPA DOES NOT ALLOW IN CONTACT WITH FEED. IN SUCH CASES, PLYWOOD OR PLASTIC SHOULD BE USED AS A LINER. CHECK SUPPLIER OR LABELS FOR GUIDANCE.
NAILS AND BOLTS SHOULD BE GALVANIZED
8d NAILS USED FOR SLATS SIDES AND FLOOR

- MATERIAL LIST:**
- 13- 1x4x10" SLATS AND BRACES
 - 1- 4x4x8" SPREADERS
 - 2- 5x2 1/2x10" BRIDS
 - 11- 1x4x10" BUNK
 - 4- 2x4x10"
 - 8- 2x4x14"
 - 3- 2x4x8"

- HARDWARE:**
- 8-SHEETS 2 1/2" CORRUGATED METAL - 7' LONG
 - ROOFING NAILS
 - 8d-8Ld.
 - 20d-1Ld.
 - 20d-1Ld.
 - 24- 5/8" EYE BOLTS
 - 4- 3/8" x 7" BOLTS
 - 1- 3/8" x 8" BOLTS
 - 4- EYE BOLTS 3/4"

COOPERATIVE EXTENSION WORK IN
AGRICULTURE AND HOME ECONOMICS

AND
UNITED STATES DEPARTMENT OF AGRICULTURE COOPERATING

CATTLE FEEDING RACK
FOR MAY & JUN 1988

USDA '81 EX. 5925 SHEET 1 OF 1

REVISED '88