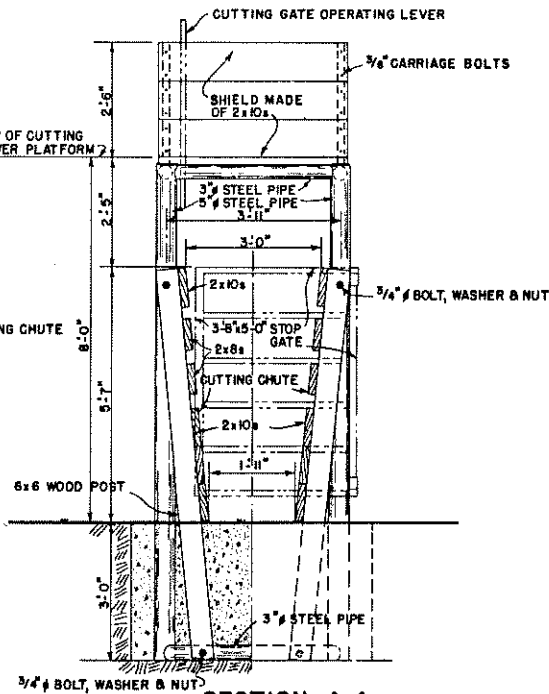
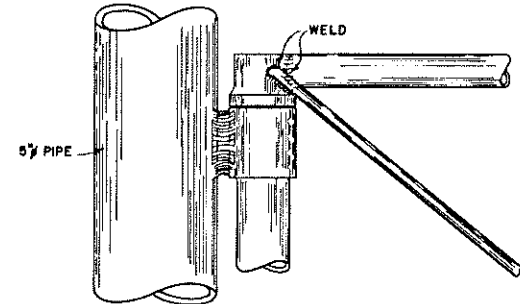
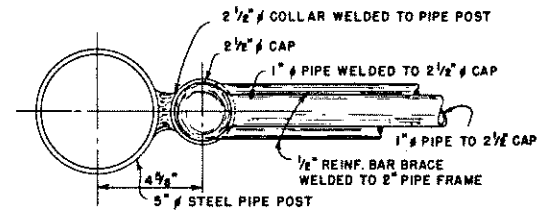


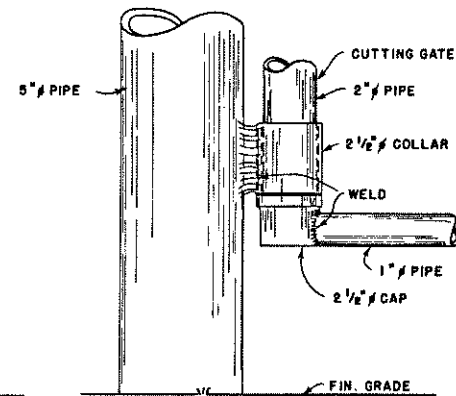
ELEVATION



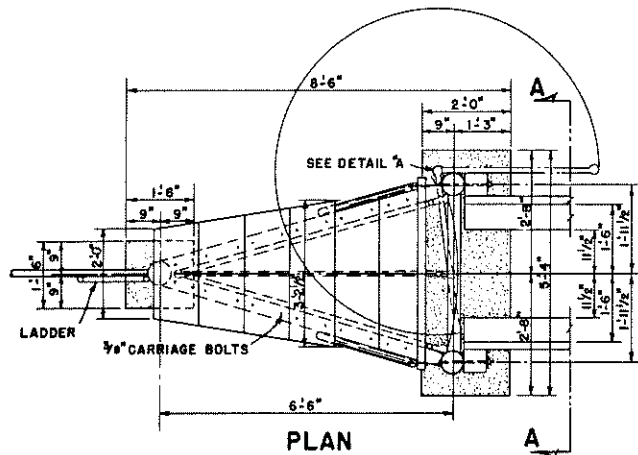
SECTION A-A



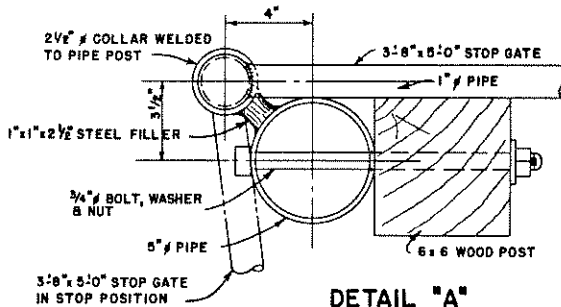
DETAIL "B"
SCALE: 0 2 4 6 IN.



DETAIL "C"
SCALE: 0 1 2 3 FT. UNLESS OTHERWISE NOTED.



PLAN



DETAIL "A"
SCALE: 0 2 4 6 IN.

COOPERATIVE EXTENSION WORK IN
AGRICULTURE AND HOME ECONOMICS
DEPARTMENT OF AGRICULTURAL ENGINEERING
UNIVERSITY OF MARYLAND
AND
UNITED STATES DEPARTMENT OF AGRICULTURE COOPERATING

CUTTING GATE,
TOWER AND CHUTE

USDA '63 EX. 5959 SHEET 1 OF 1