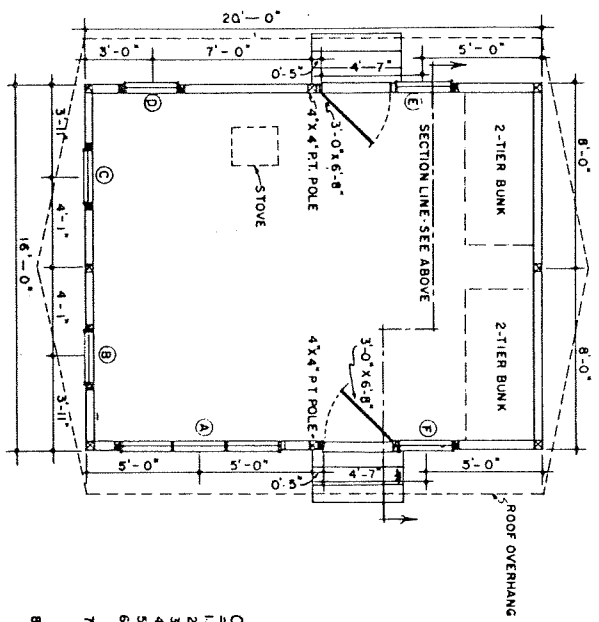
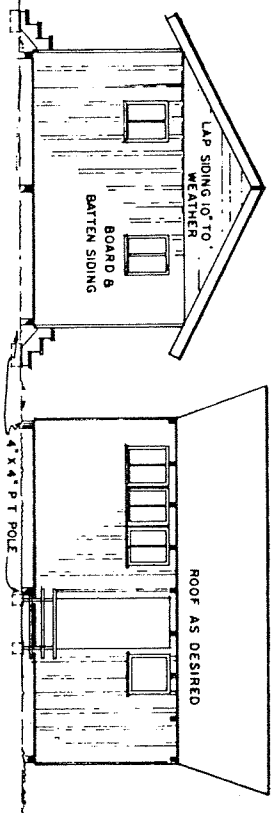


SECTION A-A  
0 1 2 3 4 FT.



PLAN  
0 2 4 6 FT.



END ELEVATION FRONT ELEVATION  
0 2 4 6 8 FT.

WINDOW SCHEDULE

| WINDOW | UNIT SIZE | NO. OF UNITS |
|--------|-----------|--------------|
| A      | 28" x 28" | 3            |
| B      |           |              |
| C      |           |              |
| D      |           |              |
| E      |           |              |
| F      |           |              |

\*ALL WINDOW UNIT SIZES ARE APPROXIMATE. UNITS ARE INSWINGING & ARE HINGED AT THE TOP OTHER STYLES OR SIZES MAY BE SUBSTITUTED

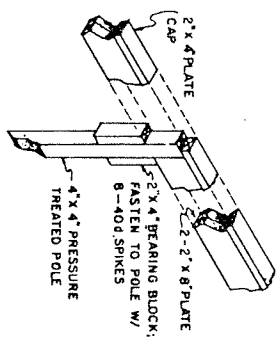
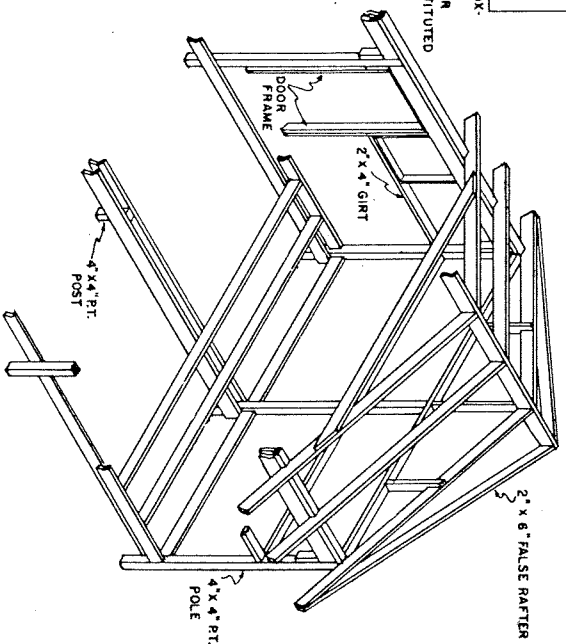


PLATE - POLE DETAIL  
NO SCALE



FRAMING PERSPECTIVE  
0 2 4 6 FT. BASED ON UNIV. OF MASS. PLAN MC-5610

- CONSTRUCTION NOTES
- THIS DESIGN IS BASED ON THE USE OF ROUGH-SAWN EASTERN HEMLOCK
  - DESIGN ROOF LOAD 40 LBS. PER SQ. FT.
  - DESIGN FLOOR LOAD 40 LBS. PER SQ. FT.
  - LENGTHS OF POLES ARE DEPENDENT ON SLOPE OF BUILDING SITE
  - ALL FRAMING NAILS SHOULD BE HARDENED AND THREADS
  - ALL WOOD IN CONTACT WITH EARTH SHOULD BE PRESURE TREATED WITH A PRESERVATIVE.
  - ROUGH-SAWN BOARD & BATTEN SIDING WITH 10" TO 12" WIDE BOARDS & 2" TO 3" WIDE BATTENS ON THE BETWEEN-BOARD GAPS IS ATTRACTIVE.
  - OTHER SIDING MATERIALS MAY BE USED IF DESIRED.
  - INTERIOR FINISH IS LEFT TO THE BUILDERS DISCRETION.

COOPERATIVE EXTENSION WORK IN  
AGRICULTURE AND HOME ECONOMICS  
DEPARTMENT OF AGRICULTURAL ENGINEERING  
UNIVERSITY OF MARYLAND  
AND  
UNITED STATES DEPARTMENT OF AGRICULTURE COOPERATING

16' x 20' CABIN

MASS. '66 EX. 6004 SHEET 1 OF 1