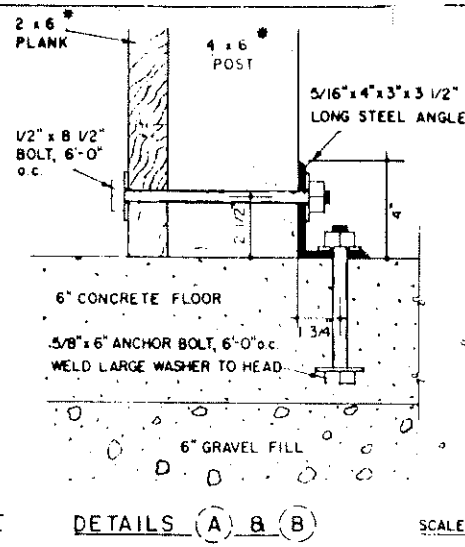
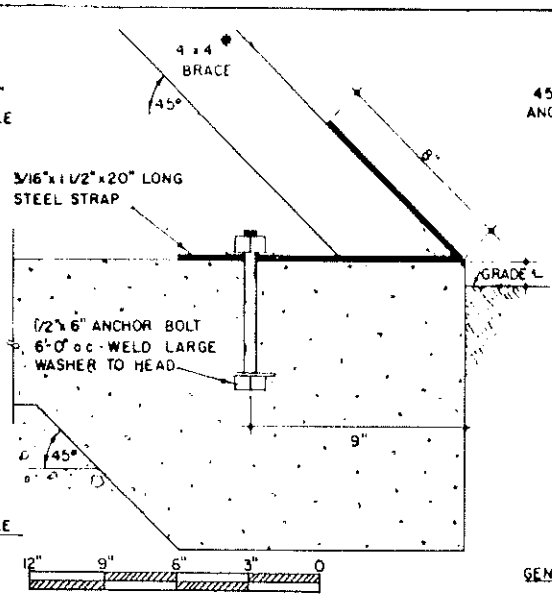


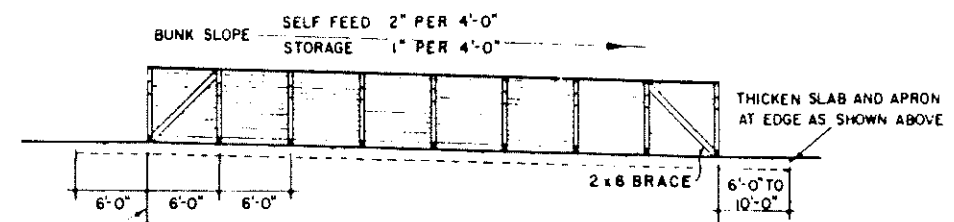
WALL SECTION SCALE



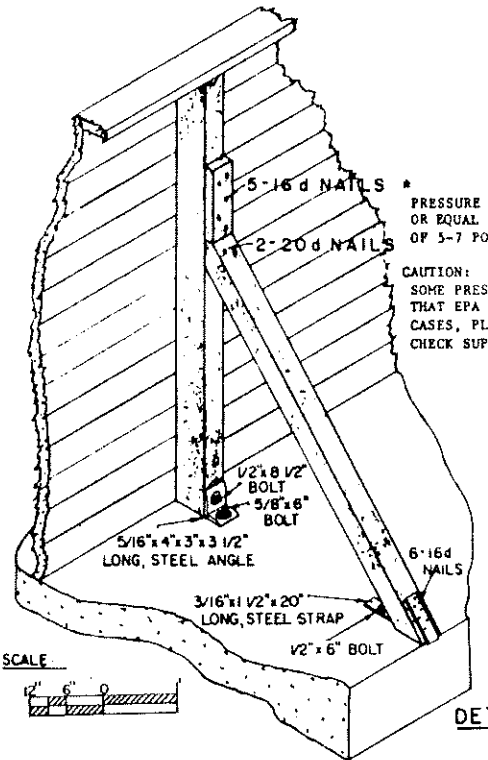
DETAILS A & B SCALE



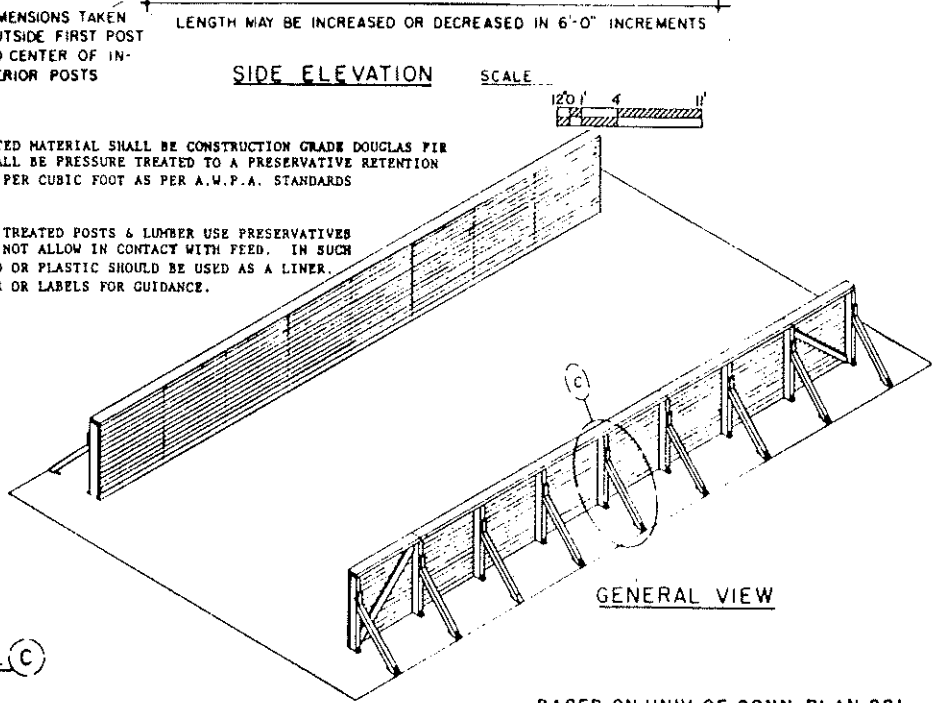
BRACE CUTTING DETAIL SCALE



SIDE ELEVATION SCALE



DETAIL C



GENERAL VIEW

NOTES

GENERAL

- 1 SITE LOCATION TO BE WELL DRAINED
- 2 IF SELF-FEEDING IS DESIRED, ORDER PLAN 5872, "SELF-FEEDING FENCES"
- 3 IF SOLID END WALL IS DESIRED, USE 2x6 PLANK WALL BRACED 6'-0" AS SHOWN ON THIS DRAWING
- 4 USE GALVANIZED OR CADMIUM PLATED 10d NAILS TO FASTEN PLANK TO POSTS

LUMBER

- 1 USE "STANDARD" GRADE DOUGLAS FIR OR STRESS GRADED LUMBER WITH A MINIMUM FIBER STRESS OF 1200 PSI

CONCRETE

- 1 USE 3000 PSI AIR ENTRAINED MIX CONTAINING 6% AIR
- 2 SLOPE FLOOR AS INDICATED ON THE SIDE ELEVATION

SILLO CAPACITIES

WIDTH (FEET)	LENGTH (FEET)	CAPACITY (TONS)	
		(TONS)	(TONS FOR EA. ADDITIONAL 4')
12	36	55	67
16	48	106	94
20	60	173	123
24	72	265	154
28	84	378	187
32	96	516	222
36	108	680	255
40	120	936	324

CAPACITIES SHOWN ARE APPROX & ARE BASED ON A SILAGE WEIGHT OF 40 LBS PER CU FT

COOPERATIVE EXTENSION SERVICE AGRICULTURE AND HOME ECONOMICS

AND UNITED STATES DEPARTMENT OF AGRICULTURE COOPERATING

BRACED WALL SILO

CONN. '67 EX 6021 SHEET 1 OF 1

REVISED '88