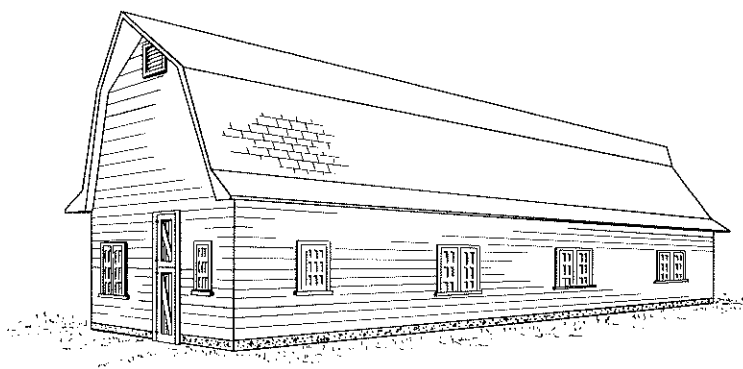
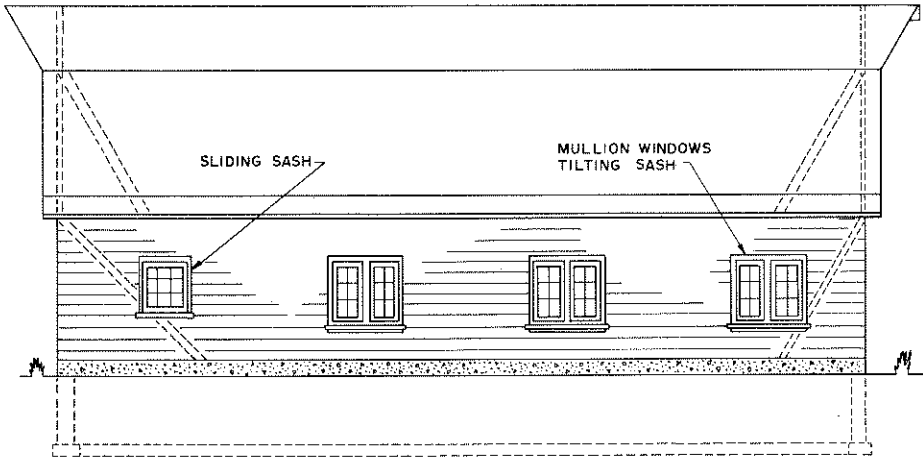


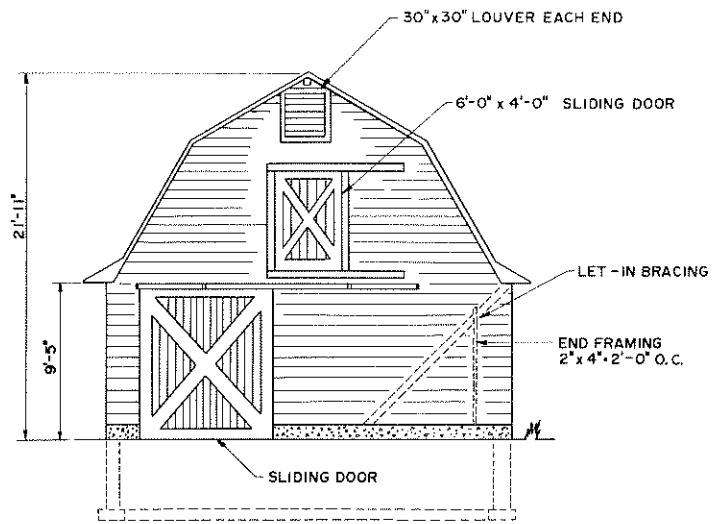
PLAN



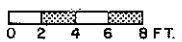
PERSPECTIVE



SIDE ELEVATION



END ELEVATION

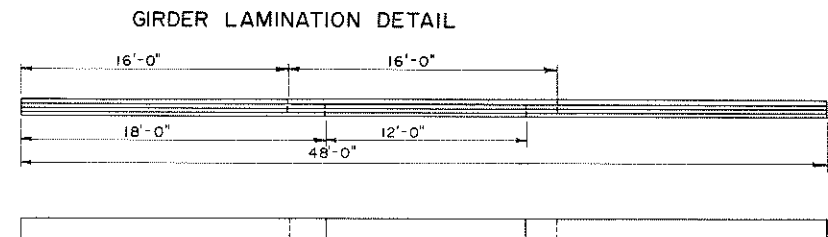
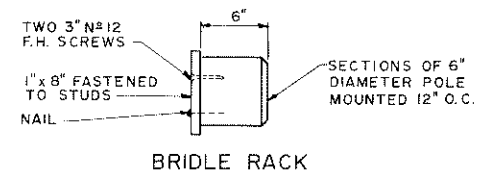
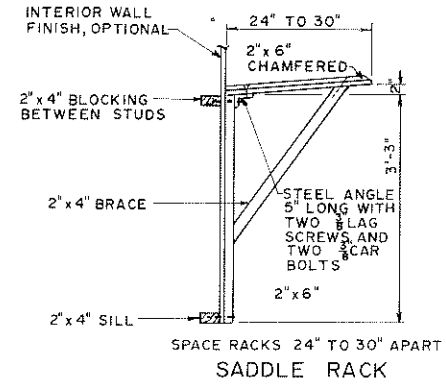
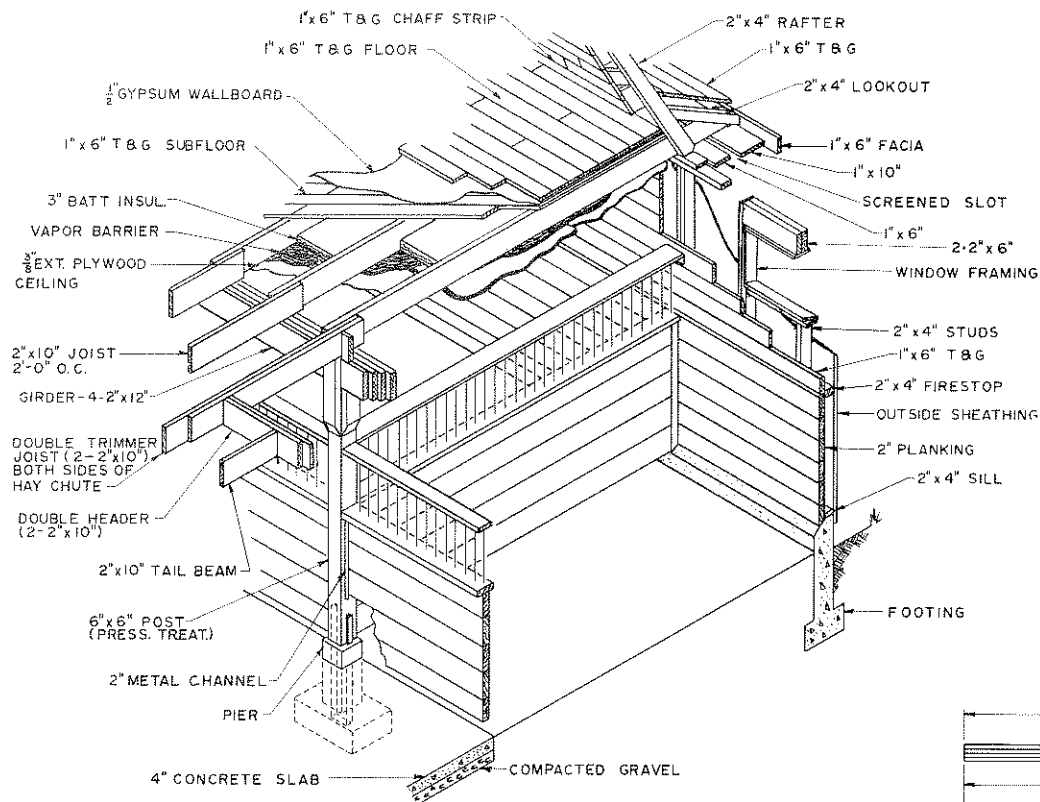


COOPERATIVE EXTENSION WORK IN
 AGRICULTURE AND HOME ECONOMICS
 DEPARTMENT OF AGRICULTURAL ENGINEERING
 UNIVERSITY OF MARYLAND
 AND
 UNITED STATES DEPARTMENT OF AGRICULTURE COOPERATING

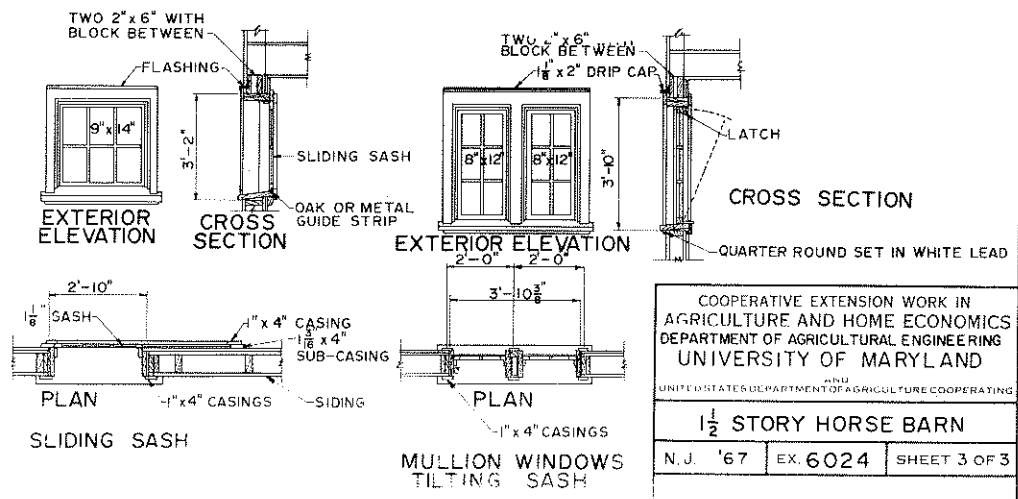
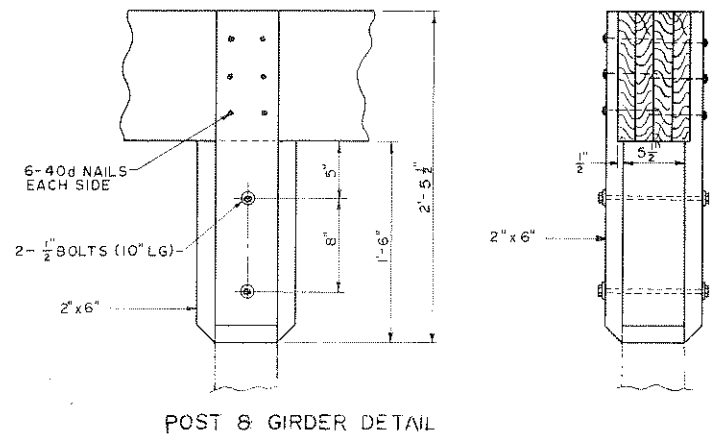
1 1/2 STORY HORSE BARN

N.J. '67	EX. 6024	SHEET 1 OF 3
----------	----------	--------------

BASED ON N.J. PLAN N° 142



CUTAWAY ISOMETRIC VIEW



COOPERATIVE EXTENSION WORK IN AGRICULTURE AND HOME ECONOMICS
 DEPARTMENT OF AGRICULTURAL ENGINEERING
 UNIVERSITY OF MARYLAND
 UNITED STATES DEPARTMENT OF AGRICULTURE COOPERATING

1 1/2 STORY HORSE BARN

N.J. '67 EX. 6024 SHEET 3 OF 3