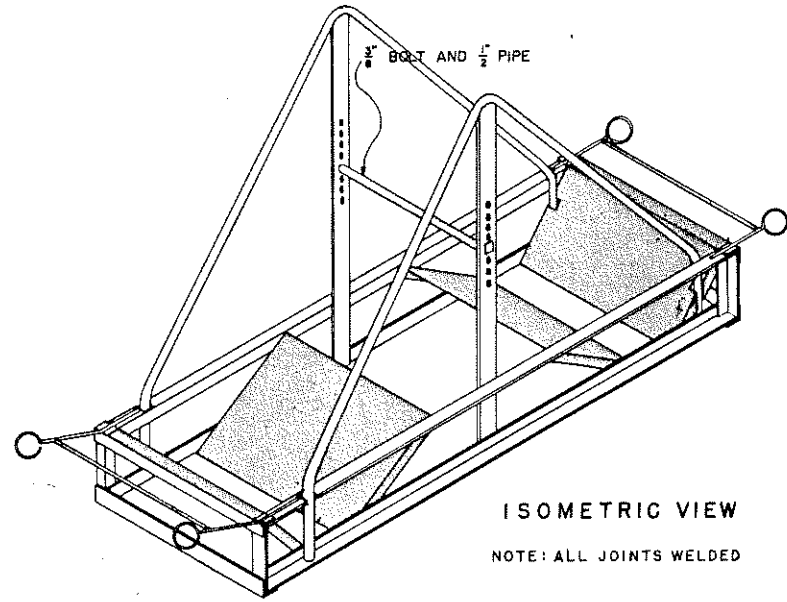


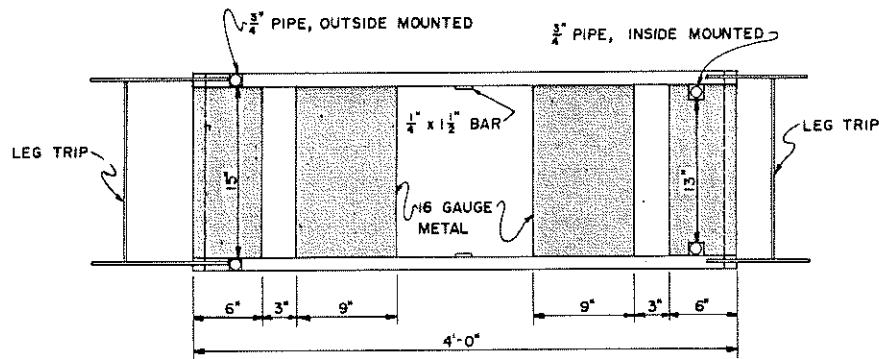
SIDE VIEW

0 1 FT.



ISOMETRIC VIEW

NOTE: ALL JOINTS WELDED



PLAN

0 1 FT.

COOPERATIVE EXTENSION WORK IN
 AGRICULTURE AND HOME ECONOMICS
 DEPARTMENT OF AGRICULTURAL ENGINEERING
 UNIVERSITY OF MARYLAND

AND
 UNITED STATES DEPARTMENT OF AGRICULTURE COOPERATING

SHEEP CHAIR

VA 8 ORE '68 EX. 6047 SHEET 1 OF 1