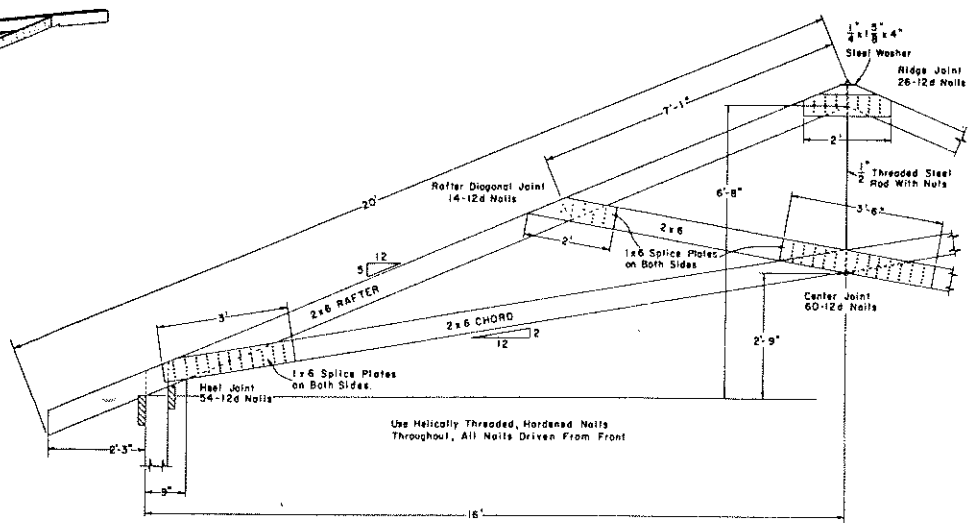
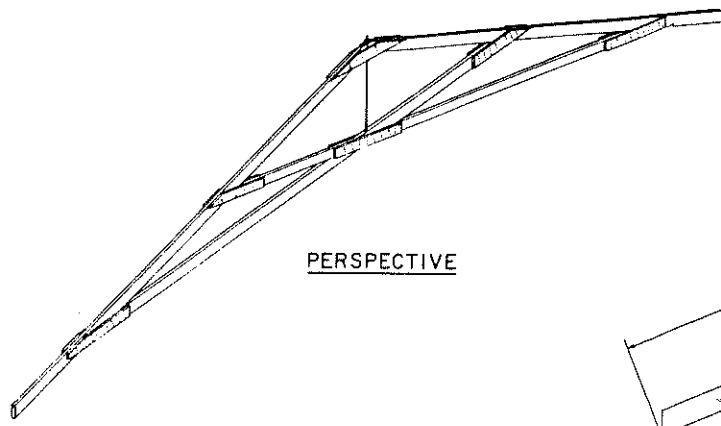


DEVELOPED BY:  
 BIOLOGICAL AND AGRICULTURAL ENGINEERING DEPARTMENT  
 NORTH CAROLINA STATE UNIVERSITY PLAN NO. 832

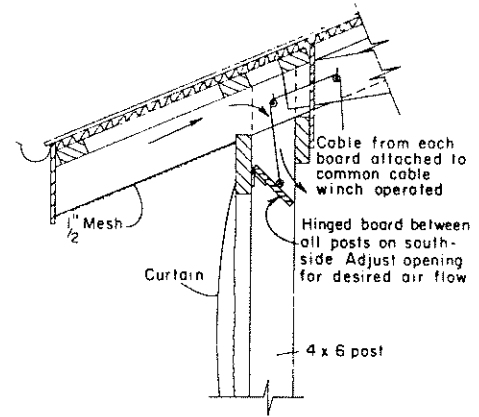
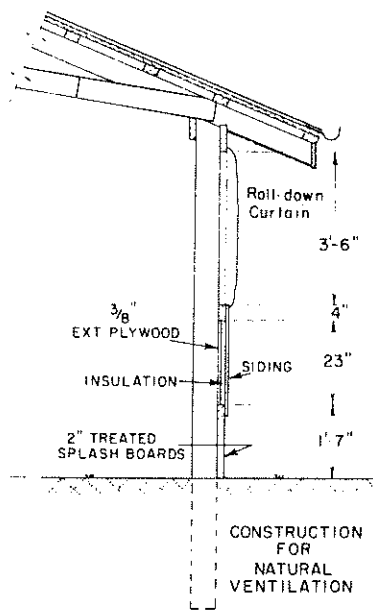
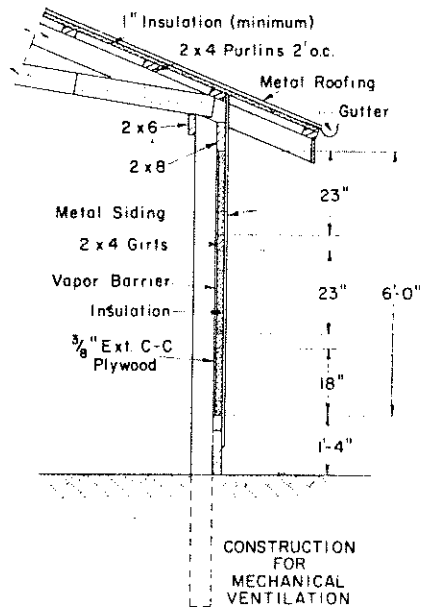
COOPERATIVE EXTENSION WORK IN  
 AGRICULTURE AND HOME ECONOMICS  
 DEPARTMENT OF AGRICULTURAL ENGINEERING  
 UNIVERSITY OF MARYLAND  
 AND  
 UNITED STATES DEPARTMENT OF AGRICULTURE COOPERATING

BROILER HOUSE  
 MECHANICAL OR NATURAL VENTILATION

N.C.	'69	6084	SHEET 1 OF 2
------	-----	------	--------------



- MATERIALS PER TRUSS:**
- 2 Pcs - 2 x 6 x 20' (Rafters)
  - 2 Pcs - 2 x 6 x 23' (Chords)
  - 2 Pcs - 1 x 6 x 16' (Splice Plates)
  - 1 Pc - 1" x 5' (Steel Rod)
  - 222 - 12 d (Threaded Nails)
  - 2 Pcs - Steel Washer



**NORTH WALL DETAIL**  
Scale 0 1 2 3 FT.

COOPERATIVE EXTENSION WORK IN  
AGRICULTURE AND HOME ECONOMICS  
DEPARTMENT OF AGRICULTURAL ENGINEERING  
UNIVERSITY OF MARYLAND  
AND  
UNITED STATES DEPARTMENT OF AGRICULTURE COOPERATING

**BROILER HOUSE  
MECHANICAL OR NATURAL VENTILATION**

N. C.	69	6084	SHEET 2 OF 2
-------	----	------	--------------