

PLAN
 SCALE: 0 2 4 6 FT.

VENTILATION NOTE:
 4-4100-4400 CFM FANS REQUIRED 18'-0" O.C.
 FANS 2 AND 4 SET TIMER ON 2 MINUTES OUT
 OF 10 AND SET THERMOSTATS 50°F.
 FAN 1 SET THERMOSTAT ON 65°F.
 FAN 3 SET THERMOSTAT ON 80°F.

NOTE:
 PENS CAN BE USED AS EMPTIED
 FOR ANY GROUP OF PIGS.

NOTE:
 CONSULT LOCAL HEALTH AUTHORITIES
 BEFORE STARTING CONSTRUCTION TO BE
 SURE THAT THE PLAN CONFORMS WITH
 LOCAL CODES AND REGULATIONS

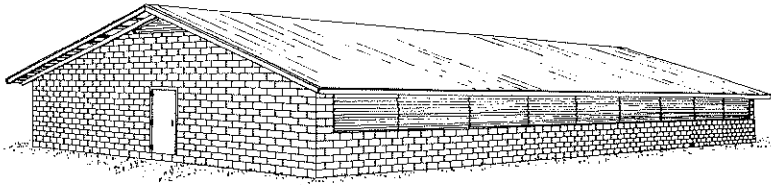
V.P.I. PLAN G1.13

COOPERATIVE EXTENSION WORK IN
 AGRICULTURE AND HOME ECONOMICS
 DEPARTMENT OF AGRICULTURAL ENGINEERING
 UNIVERSITY OF MARYLAND
 AND
 UNITED STATES DEPARTMENT OF AGRICULTURE COOPERATING

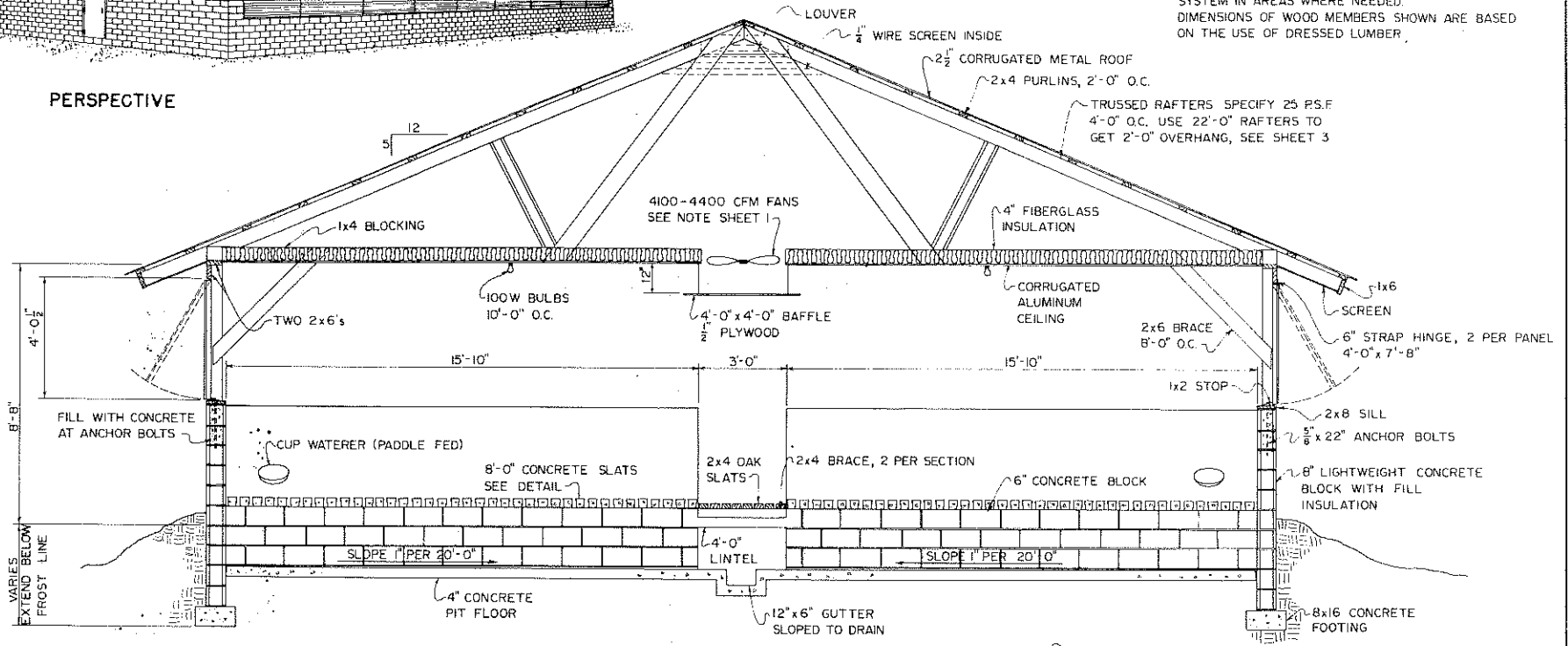
FINISHING FLOOR
 FOR 400 PIGS

VA.	'70	6104	SHEET 1 OF 3
-----	-----	------	--------------

NOTE: WALLS & FOOTINGS MUST BE DEEP ENOUGH TO BEAR ON SOLID GROUND BELOW FROST LINE. THE 2½" CORRUGATED METAL ROOFING IS APPLIED TO 2x4 PURLINS SPACED NOT OVER 24" O.C. OR AS SPECIFIED BY THE MANUFACTURER. EQUIP METAL COVERED BUILDINGS WITH ADEQUATE LIGHTNING PROTECTION SYSTEM IN AREAS WHERE NEEDED. DIMENSIONS OF WOOD MEMBERS SHOWN ARE BASED ON THE USE OF DRESSED LUMBER.

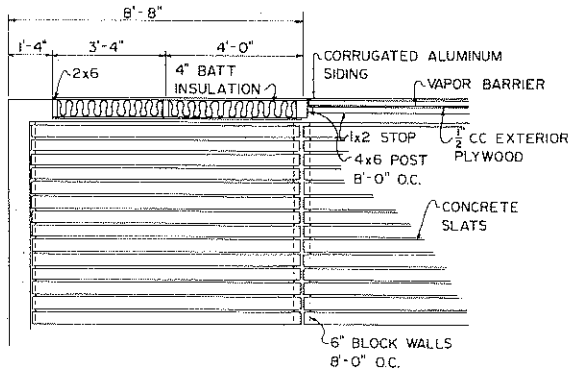


PERSPECTIVE



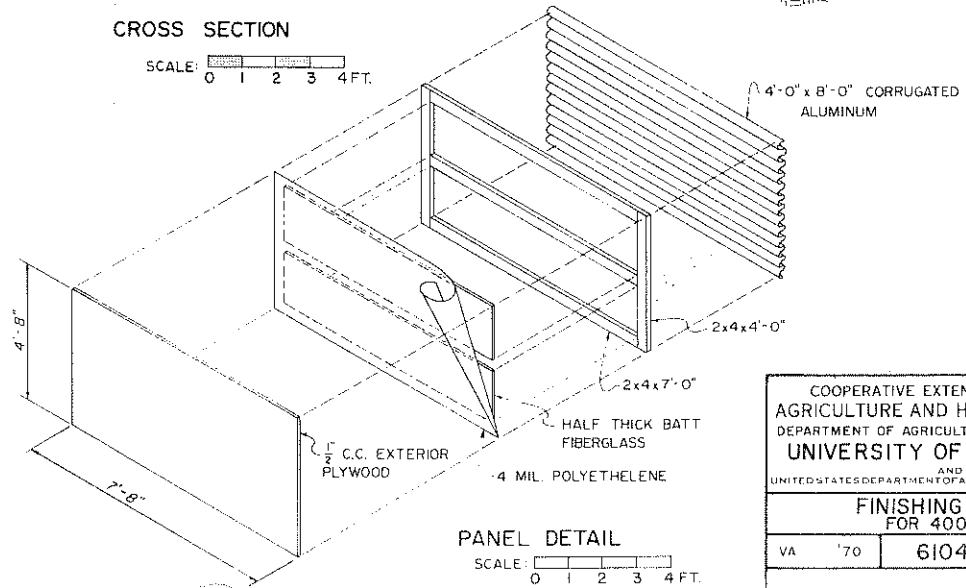
CROSS SECTION

SCALE: 0 1 2 3 4 FT.



CORNER BRACING

SCALE: 0 1 2 3 4 FT.



PANEL DETAIL

SCALE: 0 1 2 3 4 FT.

COOPERATIVE EXTENSION WORK IN
 AGRICULTURE AND HOME ECONOMICS
 DEPARTMENT OF AGRICULTURAL ENGINEERING
 UNIVERSITY OF MARYLAND
 AND
 UNITED STATES DEPARTMENT OF AGRICULTURE COOPERATING

FINISHING FLOOR
 FOR 400 PIGS

VA	'70	6104	SHEET 2 OF 3
----	-----	------	--------------

