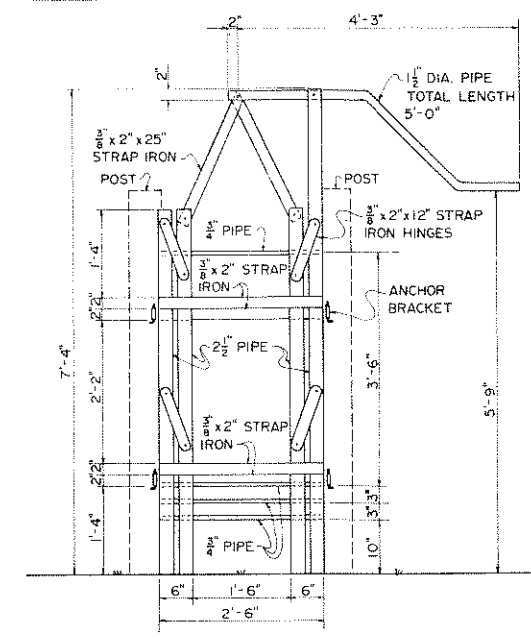
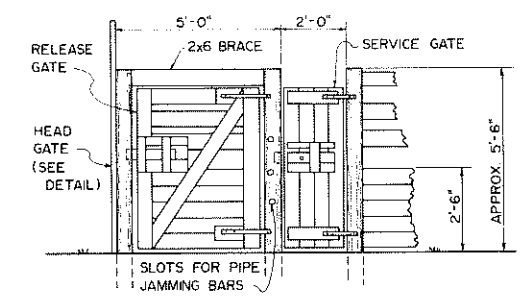


PLAN VIEW OF WORKING CHUTE  
NO SCALE

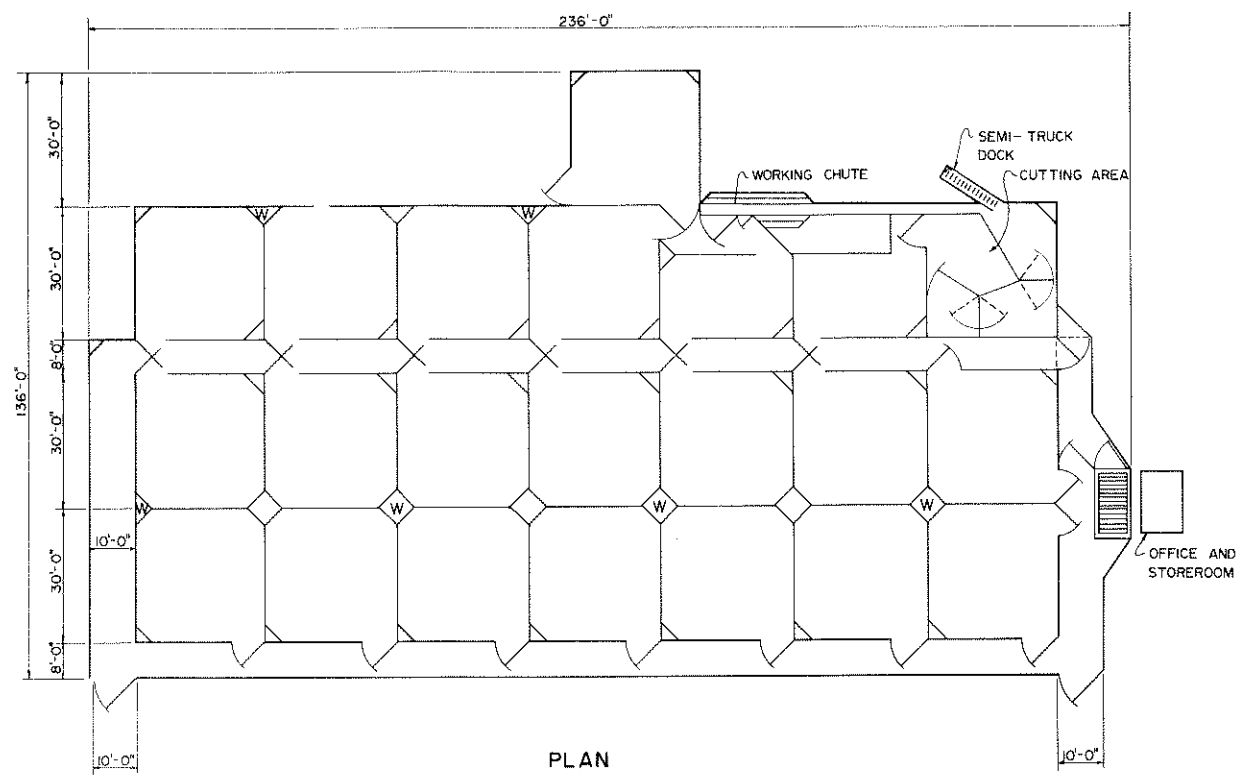


FRONT VIEW OF HEADGATE  
SCALE: 0 1 2 FT.

NOTE: CONSTRUCTION MATERIALS ARE PIPE AND STRAP METAL



SIDE ELEVATION  
SCALE: 0 1 2 3 4 FT.



PLAN

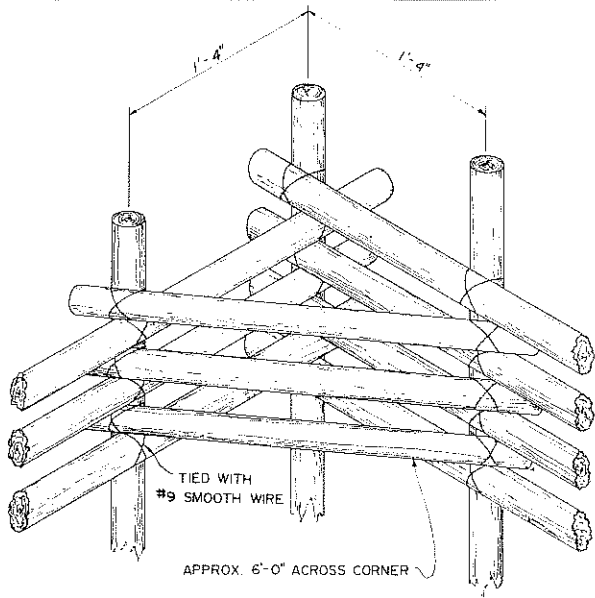
NOTE: ALL GATES 8'-0" UNLESS OTHERWISE STATED  
ALL HOLDING PENS 30'-0" x 30'-0"

BASED ON NEW MEXICO STATE UNIV. PLAN 842  
DESIGNED BY: C. M. HOHN

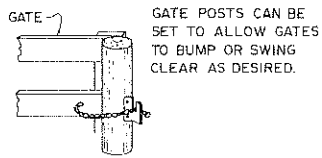
COOPERATIVE EXTENSION WORK IN AGRICULTURE AND HOME ECONOMICS  
DEPARTMENT OF AGRICULTURAL ENGINEERING  
UNIVERSITY OF MARYLAND  
AND  
UNITED STATES DEPARTMENT OF AGRICULTURE COOPERATING

**CORRAL LAYOUT AND EQUIPMENT**

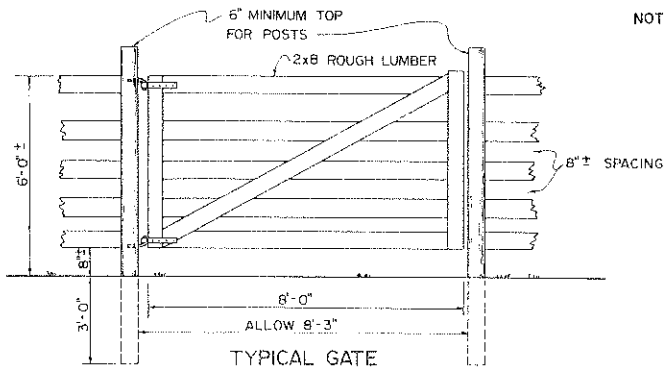
N. MEX.	'70	6106	SHEET 1 OF 3
---------	-----	------	--------------



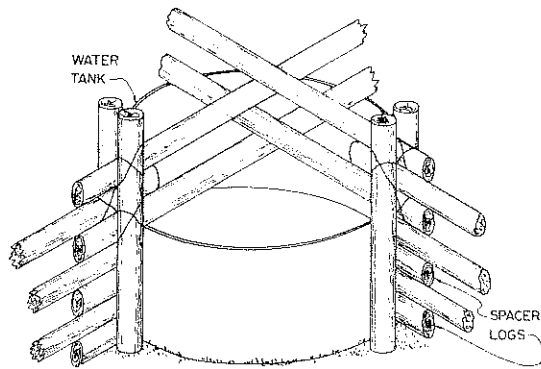
TYPICAL CORNER ARRANGEMENT  
NO SCALE



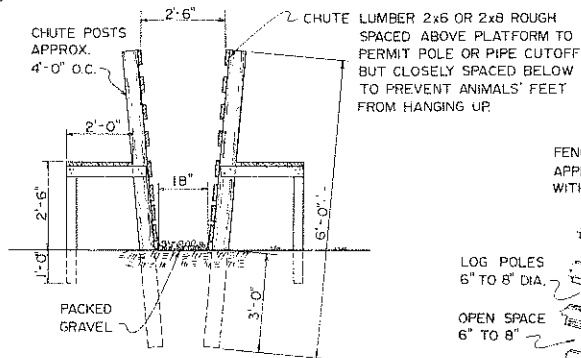
GATE LATCH DETAIL  
NO SCALE



TYPICAL GATE  
NO SCALE

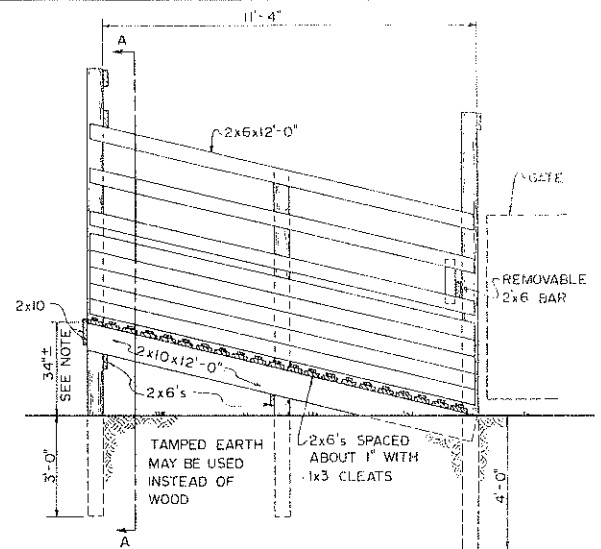


QUARTER VIEW OF FENCE  
DETAIL AT WATER TANK  
NO SCALE

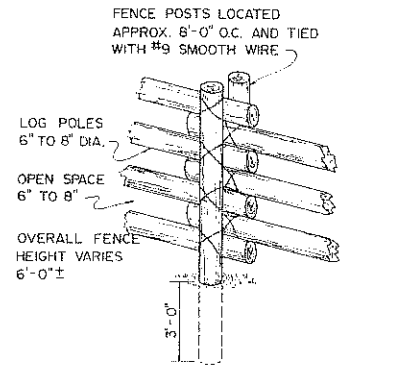


SECTION THROUGH WORKING CHUTE  
SCALE: 0 1 2 3 4 FT.

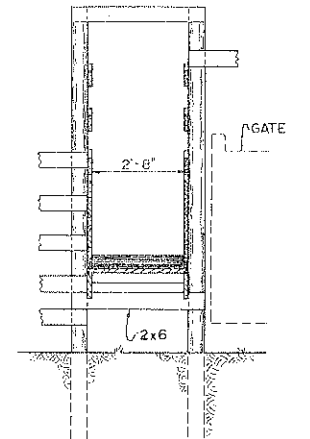
NOTE: ALL POSTS 6" TO 8" TOP DIAMETER FOR LONGEST SERVICE ALL WOOD POSTS AND WOOD IN CONTACT WITH GROUND SHOULD BE PRESSURE-TREATED WITH A PRESERVATIVE.



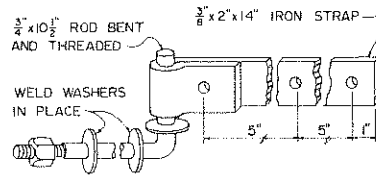
LOADING RAMP  
LONGITUDINAL SECTION  
SCALE: 0 1 2 3 4 FT.



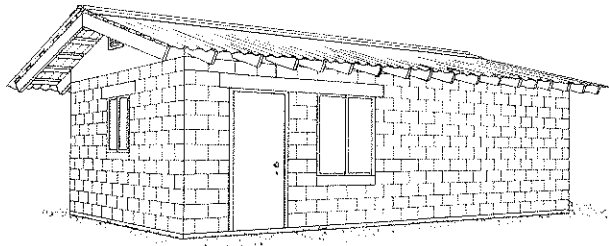
PERSPECTIVE OF TYPICAL FENCE POST  
NO SCALE



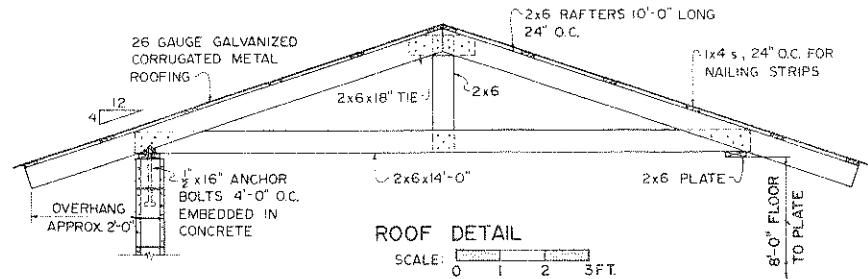
LOADING RAMP  
CROSS SECTION AT A-A  
SCALE: 0 1 2 3 4 FT.



GATE HINGE DETAIL

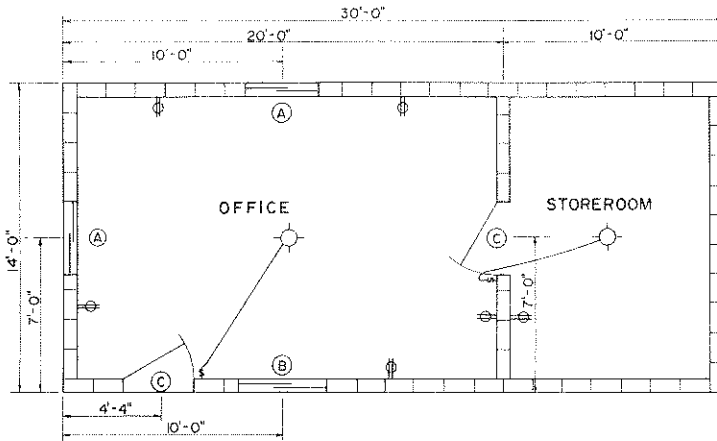


PERSPECTIVE



ROOF DETAIL

SCALE: 0 1 2 3 FT.

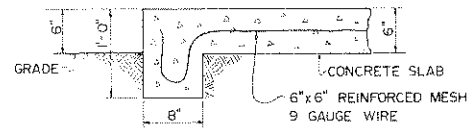


FLOOR PLAN

SCALE: 0 2 4 6 FT.

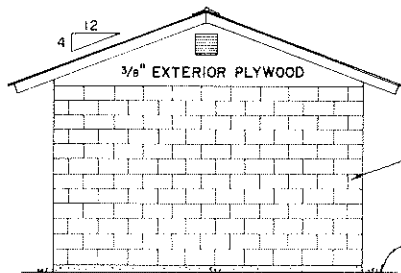
SYMBOLS:

- LIGHT
- ⊕ ELECTRIC OUTLET
- (A) 3'-4" (WIDE) x 3'-0" SLIDING PANEL METAL WINDOW
- (B) 4'-0" (WIDE) x 4'-2" SLIDING PANEL METAL WINDOW
- (C) 3'-0" x 6'-8" WOOD DOOR



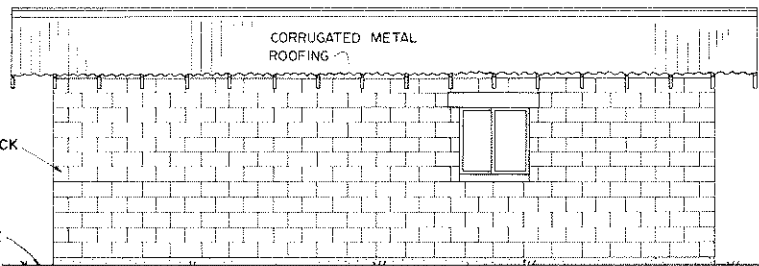
FOUNDATION DETAIL

SCALE: 0 1 FT.



RIGHT ELEVATION

SCALE: 0 2 4 6 FT.



REAR ELEVATION

SCALE: 0 2 4 6 FT.

COOPERATIVE EXTENSION WORK IN  
 AGRICULTURE AND HOME ECONOMICS  
 DEPARTMENT OF AGRICULTURAL ENGINEERING  
 UNIVERSITY OF MARYLAND  
 AND  
 UNITED STATES DEPARTMENT OF AGRICULTURE COOPERATING

CORRAL LAYOUT  
 AND EQUIPMENT

N. MEX. '70 6106 SHEET 3 OF 3