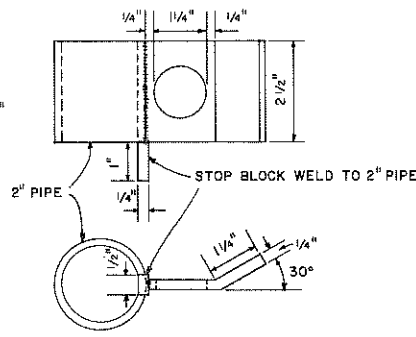


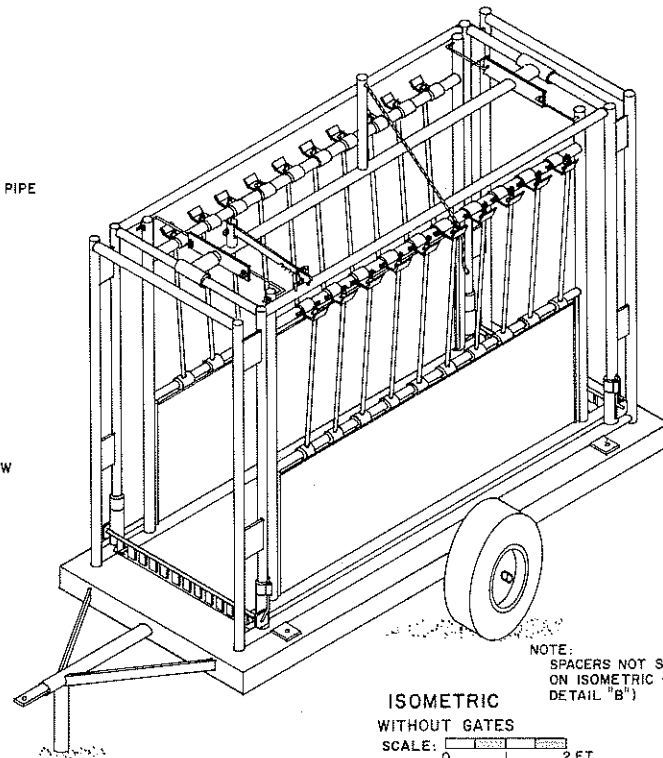
DETAIL "B"



DETAIL "C"

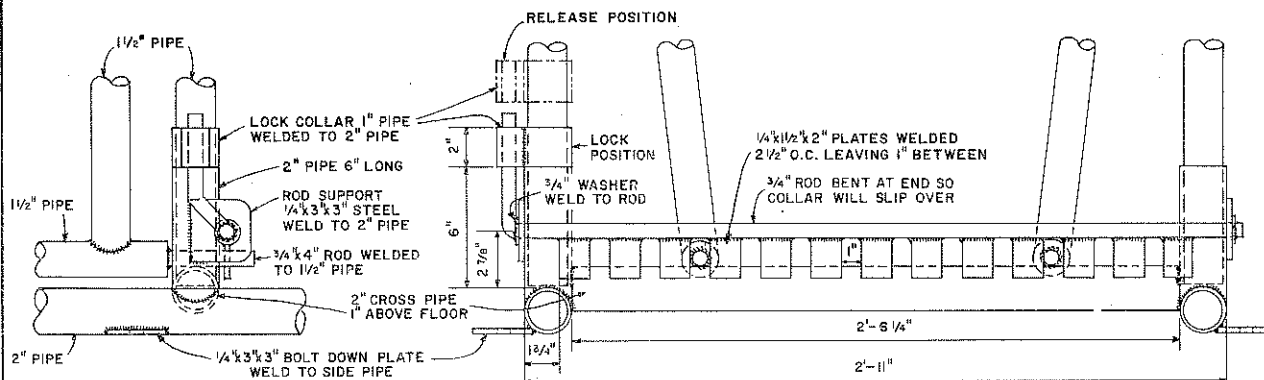
SCALE: 0 1 2 3 IN.

OPERATION: PUSH BAR AGAINST CLIP WHICH RAISES TO ALLOW BAR TO ENGAGE. STOPS AND SPACERS PREVENT CLIP FROM GOING OVER TOP OR FROM DROPPING BELOW HORIZONTAL POSITION SO BAR WILL ENGAGE CLIP.



ISOMETRIC WITHOUT GATES

SCALE: 0 1 2 FT.



DETAIL "A"

NOTE:

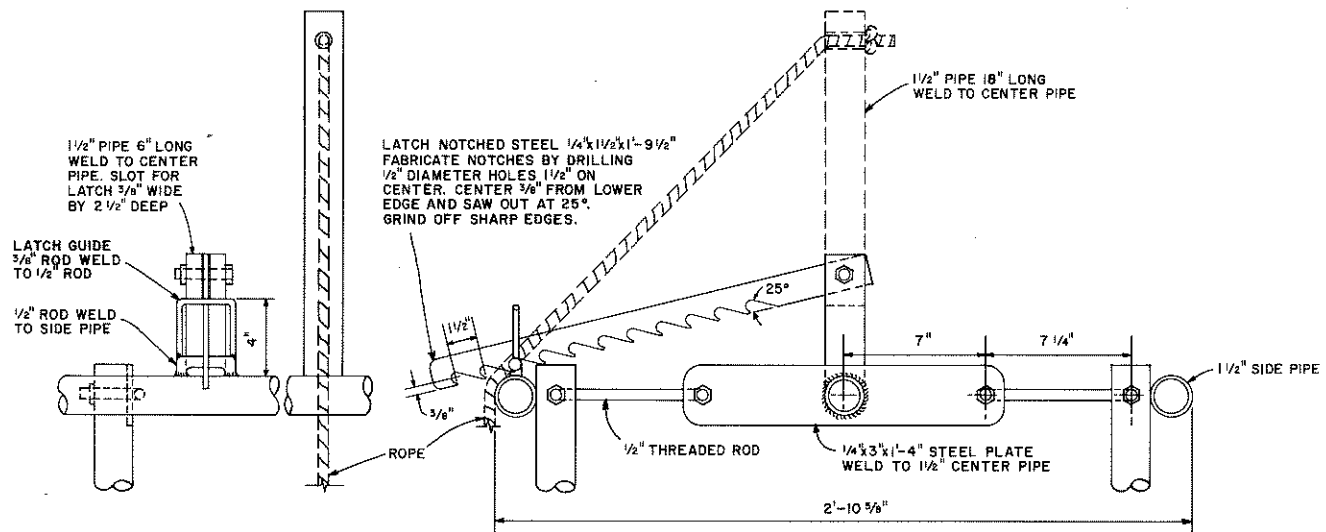
CHUTE CAN BE MOUNTED ON STANDARD TRAILER OR ON SCALE TRAILER. TRAILER WITH RETRACTABLE WHEELS WILL PERMIT CHUTE TO BE LOWERED TO GROUND LEVEL.

COOPERATIVE EXTENSION WORK IN AGRICULTURE AND HOME ECONOMICS DEPARTMENT OF AGRICULTURAL ENGINEERING UNIVERSITY OF MARYLAND

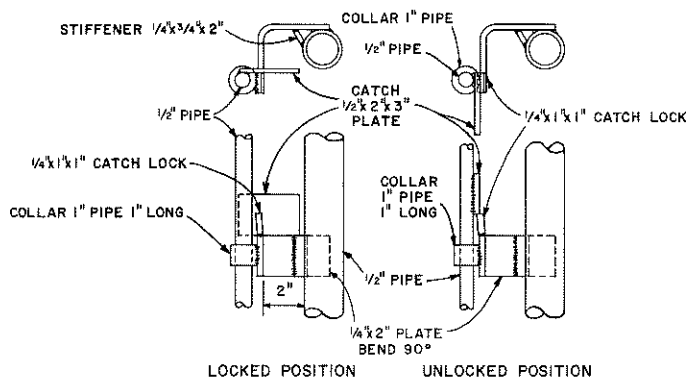
AND UNITED STATES DEPARTMENT OF AGRICULTURE COOPERATING

SQUEEZE CHUTE FOR CATTLE VARIABLE WIDTH-TRAILER MOUNTED

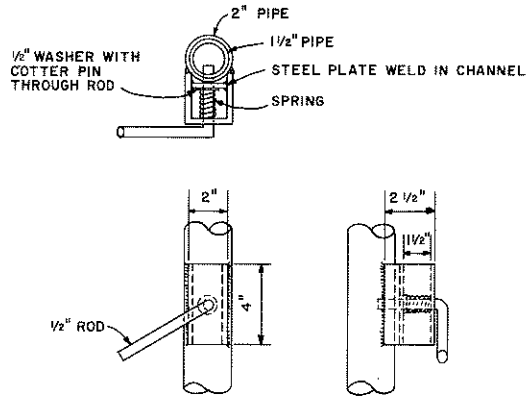
W. VA. '71 6133 SHEET 2 OF 3



DETAIL "D"



DETAIL "E"



DETAIL "F"

COOPERATIVE EXTENSION WORK IN  
 AGRICULTURE AND HOME ECONOMICS  
 DEPARTMENT OF AGRICULTURAL ENGINEERING  
 UNIVERSITY OF MARYLAND  
 AND  
 UNITED STATES DEPARTMENT OF AGRICULTURE COOPERATING

**SQUEEZE CHUTE FOR CATTLE  
 VARIABLE WIDTH - TRAILER MOUNTED**

W. VA.	'71	6133	SHEET 3 OF 3
--------	-----	------	--------------