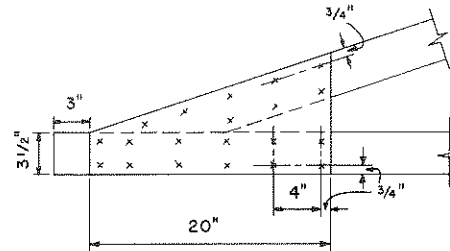
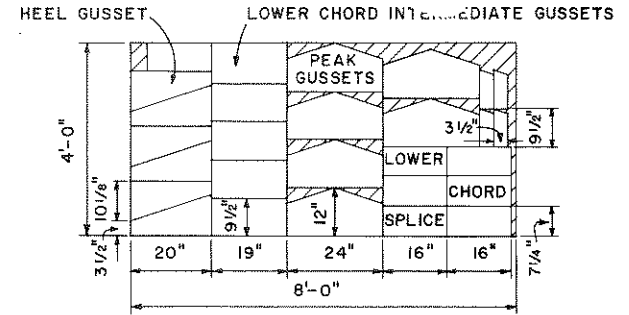
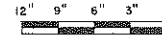


RUSS SPECIFICATION

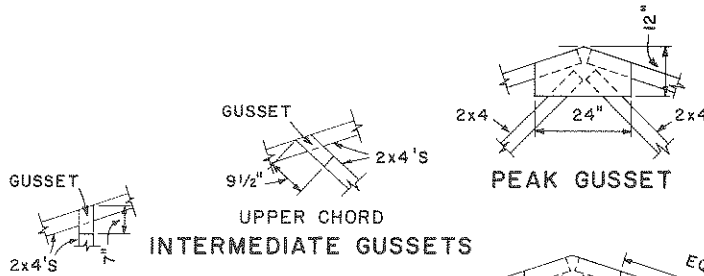
LUMBER:
 UPPER CHORD 2x4 - 1500f LUMBER
 LOWER CHORD 2x4 - 1200f LUMBER
 WEB 2x4 CONSTRUCTION GRADE DOUGLAS FIR,
 LARCH, HEMLOCK OR NO. 2 SOUTHERN PINE.
 GLUE:
 RESORCINOL RESIN TYPE
 NAILS:
 6d SPACED 4" O.C. TWO ROWS FOR 2x4 MEMBERS.



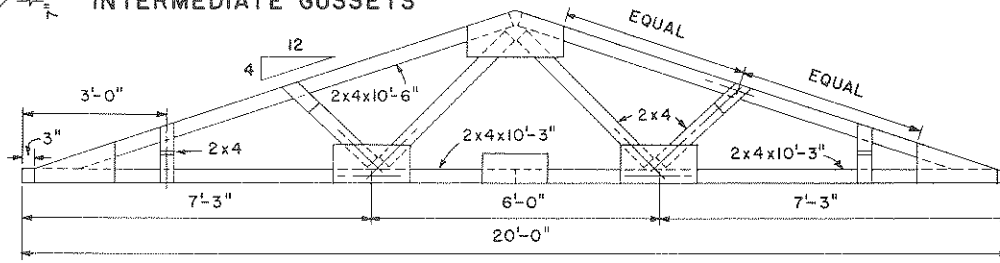
TYPICAL NAIL PATTERN



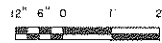
TYPICAL CUTTING SCHEDULE FOR PLYWOOD GUSSETS



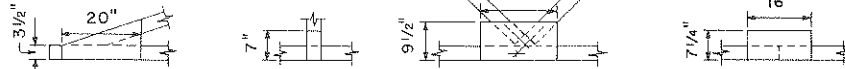
UPPER CHORD INTERMEDIATE GUSSETS



TRUSS



HEEL GUSSETS SHOULD BE FABRICATED FLUSH WITH BOTTOM EDGE OF CHORD MEMBER.

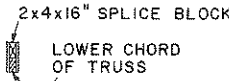


HEEL GUSSET

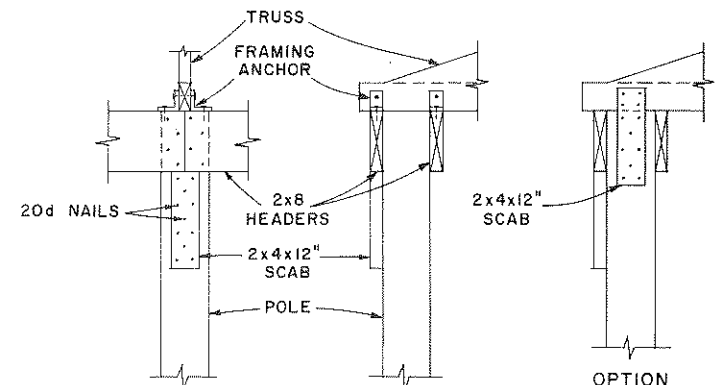
INTERMEDIATE GUSSETS LOWER CHORD

SPLICE SECTION

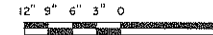
LOCATE GUSSETS AS SHOWN.



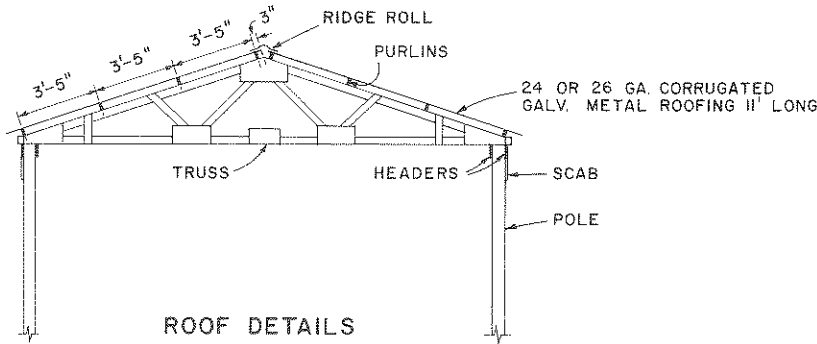
2x4x16" SPLICE BLOCK LOWER CHORD OF TRUSS



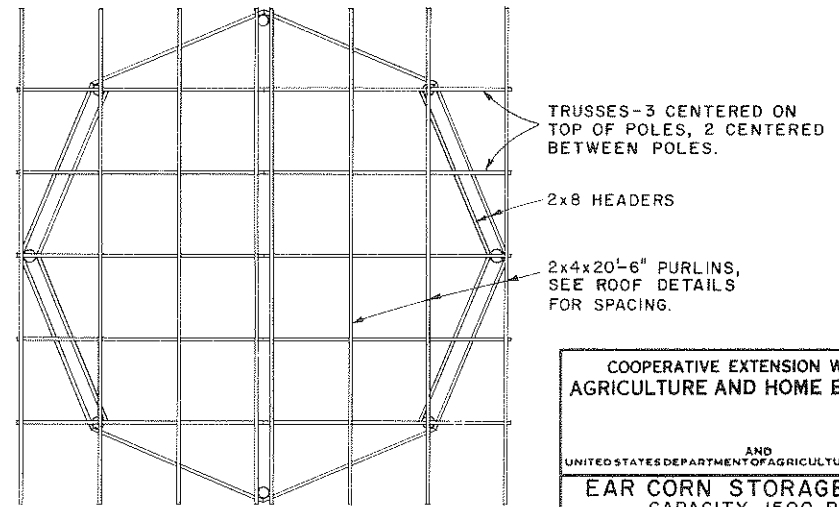
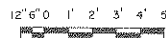
HEADER & TRUSS FASTENING DETAILS



NOTE:
 GUSSETS ARE CUT FROM PLYWOOD (EXT.-DFPA) 1/2" C-C STRUCTURAL I. FACE GRAIN IS HORIZONTAL ON ALL GUSSETS. THE PLYWOOD GUSSETS ARE ON BOTH SIDES OF THE TRUSSES.



ROOF DETAILS



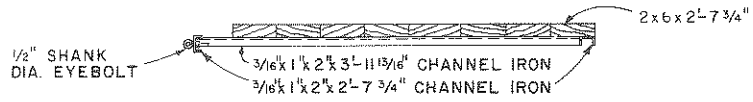
TRUSS & PURLIN PLAN

COOPERATIVE EXTENSION WORK IN AGRICULTURE AND HOME ECONOMICS

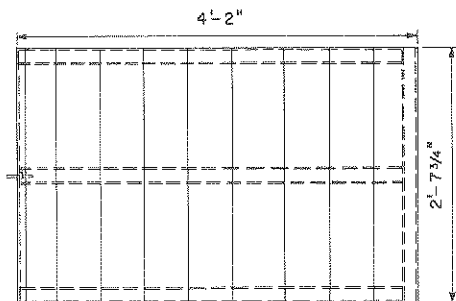
AND UNITED STATES DEPARTMENT OF AGRICULTURE COOPERATING

EAR CORN STORAGE CRIB CAPACITY-1500 BU.

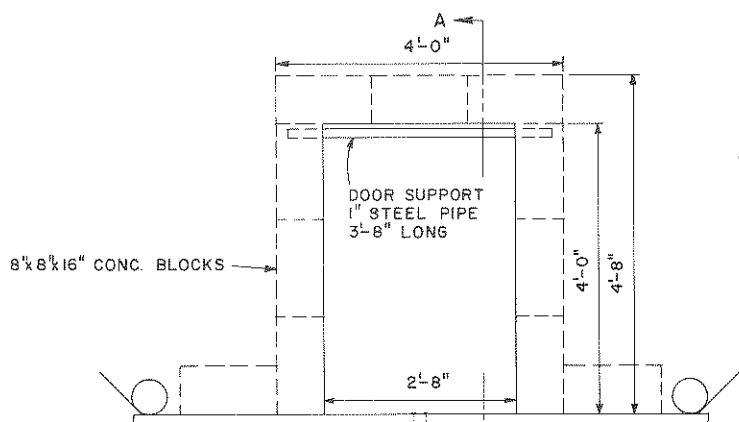
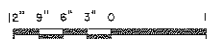
W. VA. '74 6182 SHEET 2 OF 2



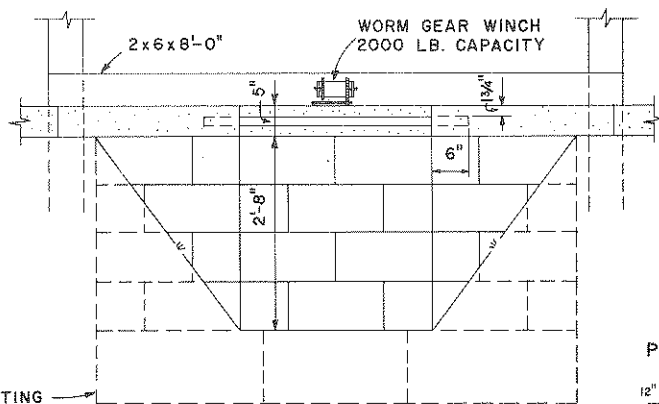
SECTION



PIT DOOR DETAILS



PLAN



ELEVATION

DOOR SLATS, DOOR SUPPORTS AND ANGLE IRON DETAILS SAME AS SECT. A-A SHEET 1 EXCEPT SLATS CONTINUE TO FLOOR AND ANOTHER 1x4 IS NEEDED AS SHOWN.

WINCH, SEE PIT DETAILS

3/16" STEEL PLY CABLE

FOR DIMENSIONS, SEE PIT DOOR DETAILS

1x4 x 3'-8 1/2"

2x6

EXHAUST FAN MAY BE INSTALLED IN DUCT FOR FORCED VENTILATION

1x6 x 2'-0"

1x6 x 2'-1 1/2"

2x4 x 2'-0"

2x4 x 13'-0"

2x4 x 2'-0"

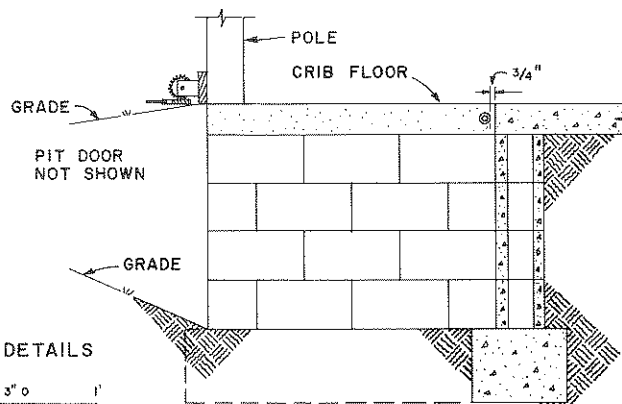
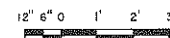
WIRE SCHEDULE FOR DUCT. SEE SECTION A-A, SHEET 1.

2x4 x 2'-0" NAILED OR BOLTED TO FLOOR

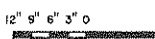
GRADE

NOTE: PIT MAY BE ELIMINATED AND CRIB COULD BE CONSTRUCTED AS SHOWN ON FLAT FLOOR. SEE SHEET 1.

OPTIONAL DESIGN



PIT DETAILS



SECTION A-A

COOPERATIVE EXTENSION WORK IN AGRICULTURE AND HOME ECONOMICS

AND UNITED STATES DEPARTMENT OF AGRICULTURE COOPERATIVE

EAR CORN STORAGE CRIB CAPACITY-1500 BU.

W. VA. '74 6182 SHEET 3 OF