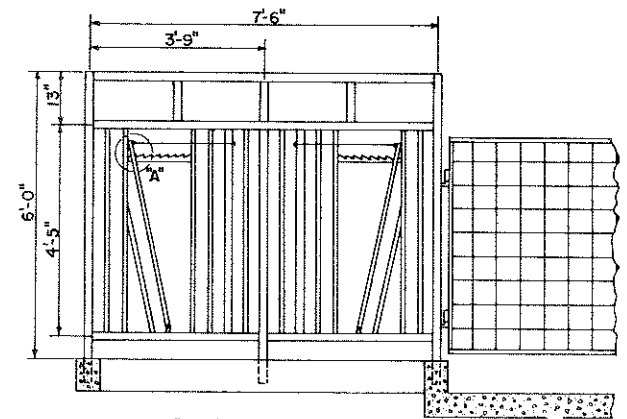
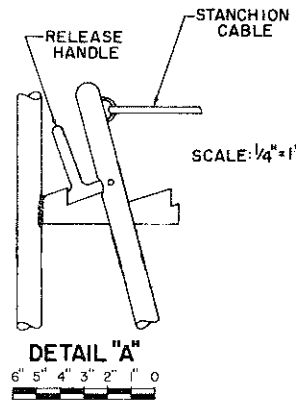


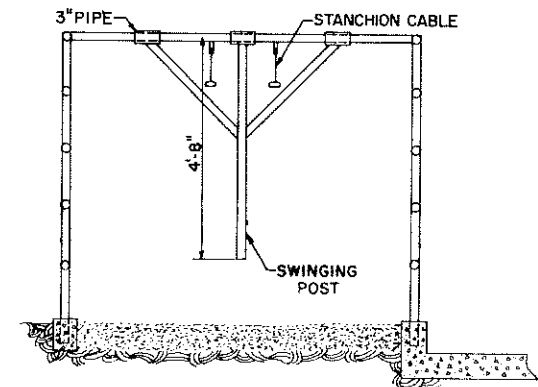
PLAN



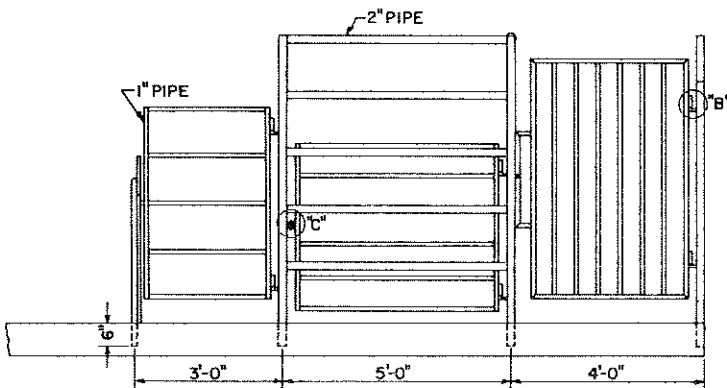
SECTION A-A



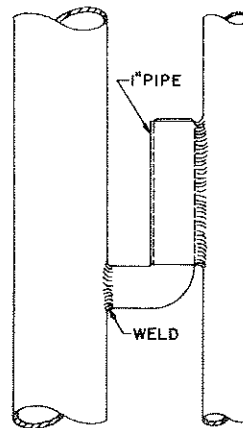
DETAIL "A"



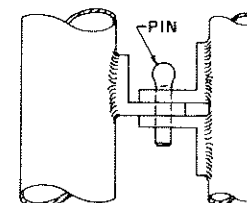
SECTION B-B



ELEVATION
(GATE B NOT SHOWN)



DETAIL "B"



DETAIL "C"



UNLESS OTHERWISE NOTED

NOTES:

- ALL PIPE JOINTS ARE WELDED
- TO USE AS BOX STALL REMOVE MOVABLE PARTITION, SWING GATE A AGAINST OUTER WALL, MOVE SWINGING POST TO UP-POSITION
- CONSULT LOCAL HEALTH AND BUILDING CODE AUTHORITIES BEFORE STARTING CONSTRUCTION

COOPERATIVE EXTENSION WORK IN
AGRICULTURE AND HOME ECONOMICS

AND
UNITED STATES DEPARTMENT OF AGRICULTURE COOPERATING

COMBINATION BREEDING STALL
AND BOX STALL

W.VA. '75 6194 SHEET 1 OF 1