

PLAN

NOTE: CONSULT LOCAL HEALTH AND BUILDING CODE AUTHORITIES BEFORE STARTING CONSTRUCTION.

BASED ON: DAIRY FACILITIES PLAN - WEST TENN. EXPERIMENT STATION.

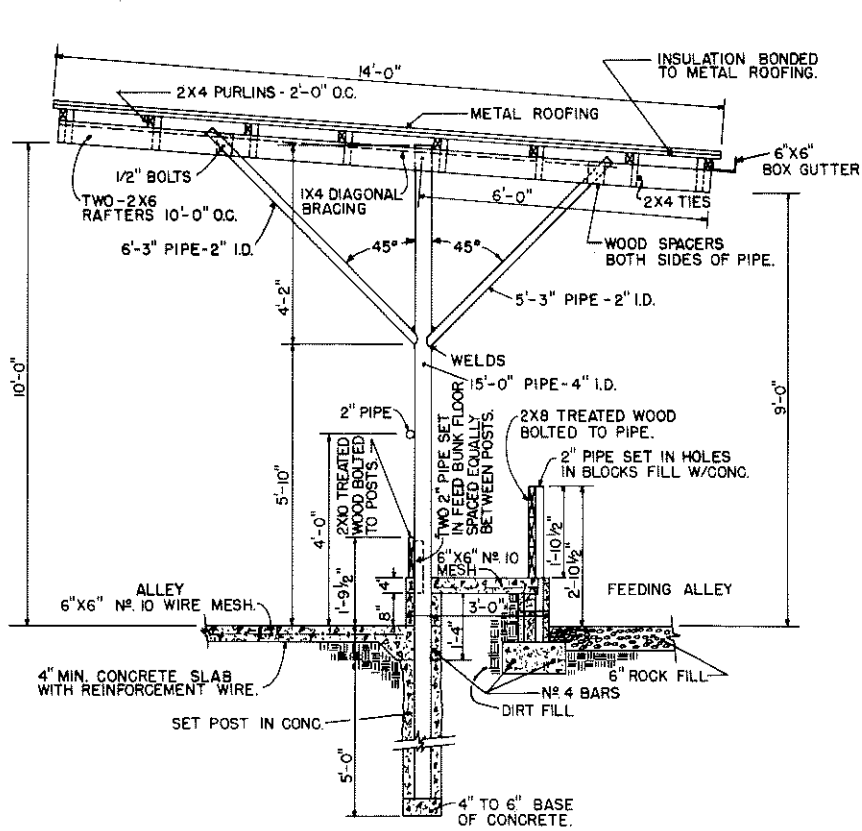
SCALE: 1" = 20'

COOPERATIVE EXTENSION WORK IN AGRICULTURE AND HOME ECONOMICS

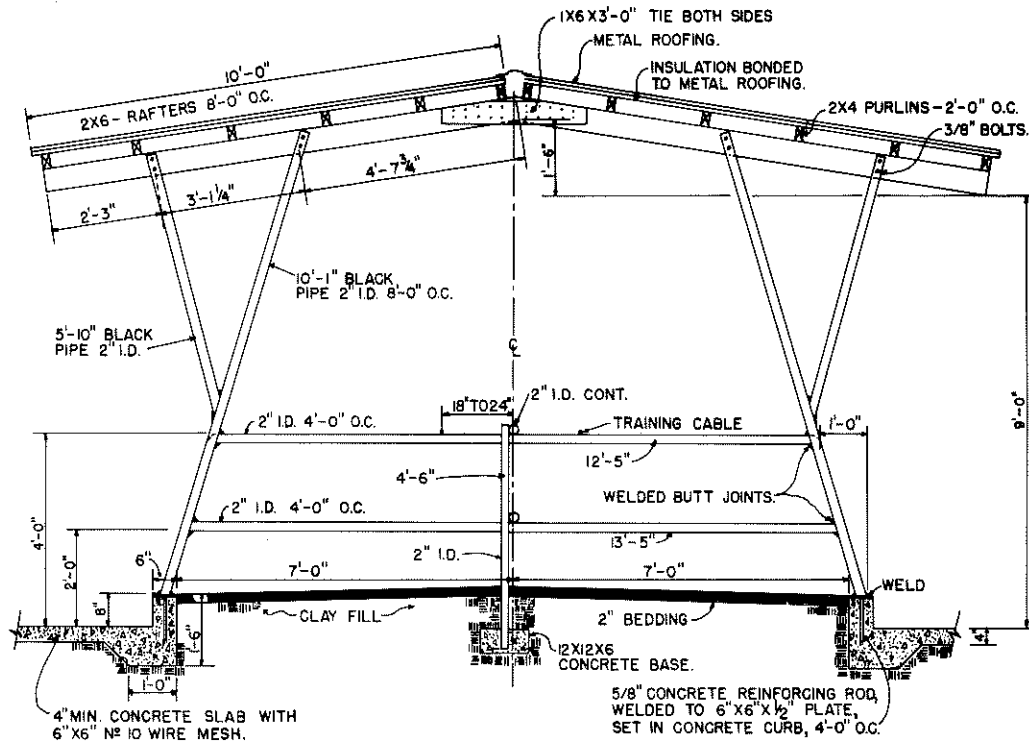
AND UNITED STATES DEPARTMENT OF AGRICULTURE COOPERATION

FREE STALL DAIRY SYSTEM

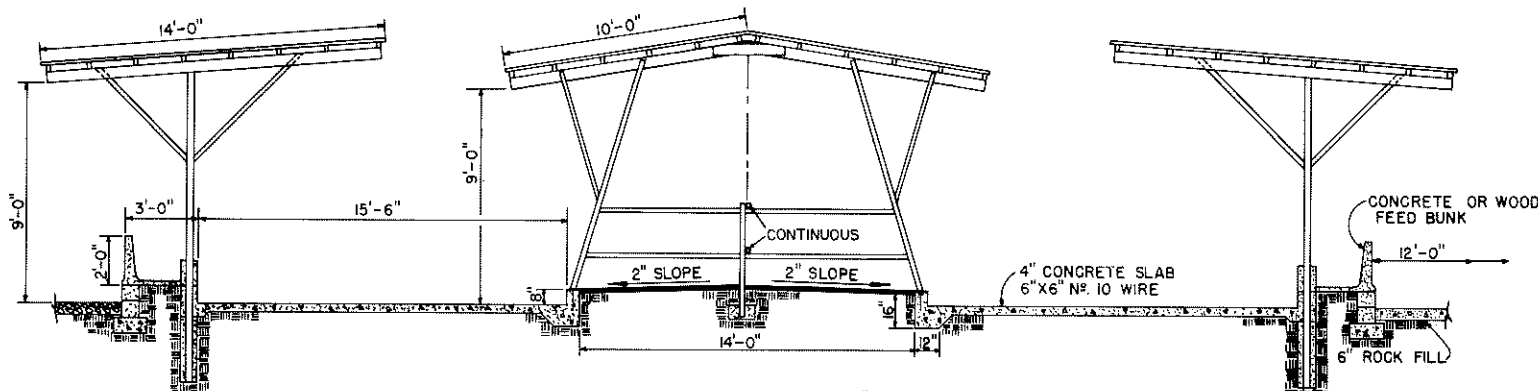
TENN. '75 6218 SHEET 1 OF 2



COVERED FENCE LINE FEED BUNK

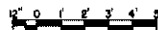


PIPE CONSTR. COVERED FREE STALL AND FENCE LINE FEEDER



FREE STALL CROSS SECTION "A-A"

SCALE: 1/4" = 1'-0"



SCALE: 1/2" = 1'-0" UNLESS OTHERWISE NOTED.

COOPERATIVE EXTENSION WORK IN AGRICULTURE AND HOME ECONOMICS

AND UNITED STATES DEPARTMENT OF AGRICULTURE COOPERATING

FREE STALL DAIRY SYSTEM

TENN. '75 6218 SHEET 2 OF 2