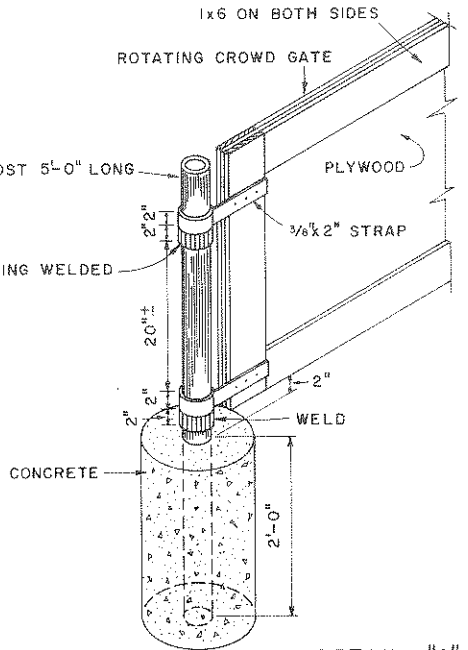


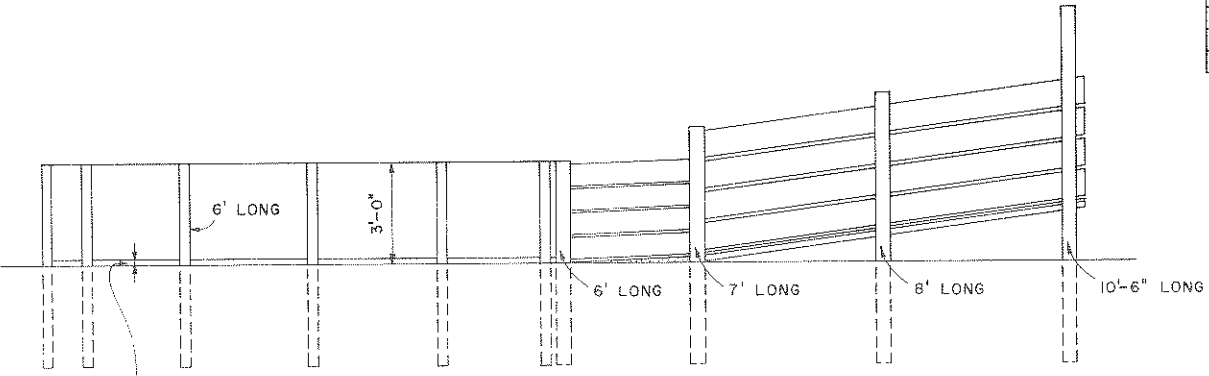
NOTE:  
 1. PLAN 5852, VARIABLE HEIGHT.  
 2. PLAN 6183, THREE TIER.

PLAN



DETAIL "A"

CAPACITY OF LOADING PENS		
DIAMETER (FT.)	FEEDER PIGS AT 2 SQ. FT.	MARKET HOGS AT 6 SQ. FT.
12	57	19
16	100	34
20	157	52
24	226	75
28	308	103
32	402	134



LEAVE 2" CLEARANCE BETWEEN FENCE AND GROUND AND CONCRETE FLOOR

ELEVATION

COOPERATIVE EXTENSION WORK IN AGRICULTURE AND HOME ECONOMICS

AND UNITED STATES DEPARTMENT OF AGRICULTURE COOPERATING

CIRCULAR LOADING PEN FOR SWINE

N.C. '75 6223 SHEET 1 OF 1