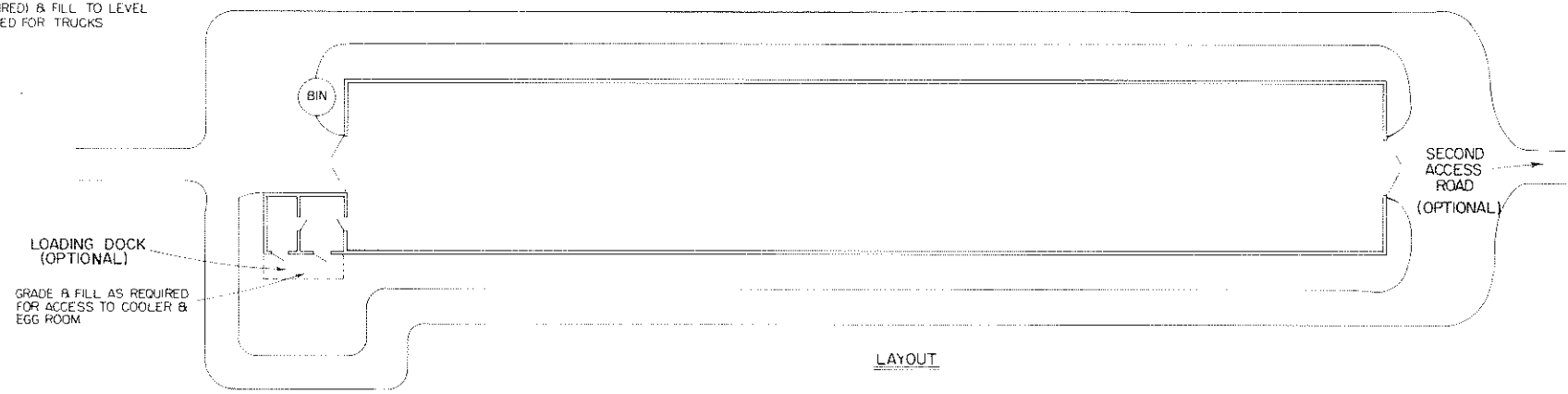
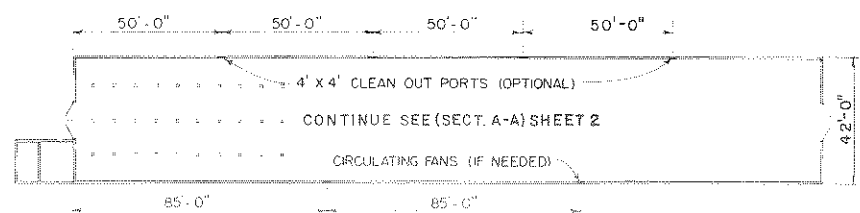


PLAN VIEW

CONSTRUCT LOADING DOCK (IF DESIRED) & FILL TO LEVEL REQUIRED FOR TRUCKS



LAYOUT

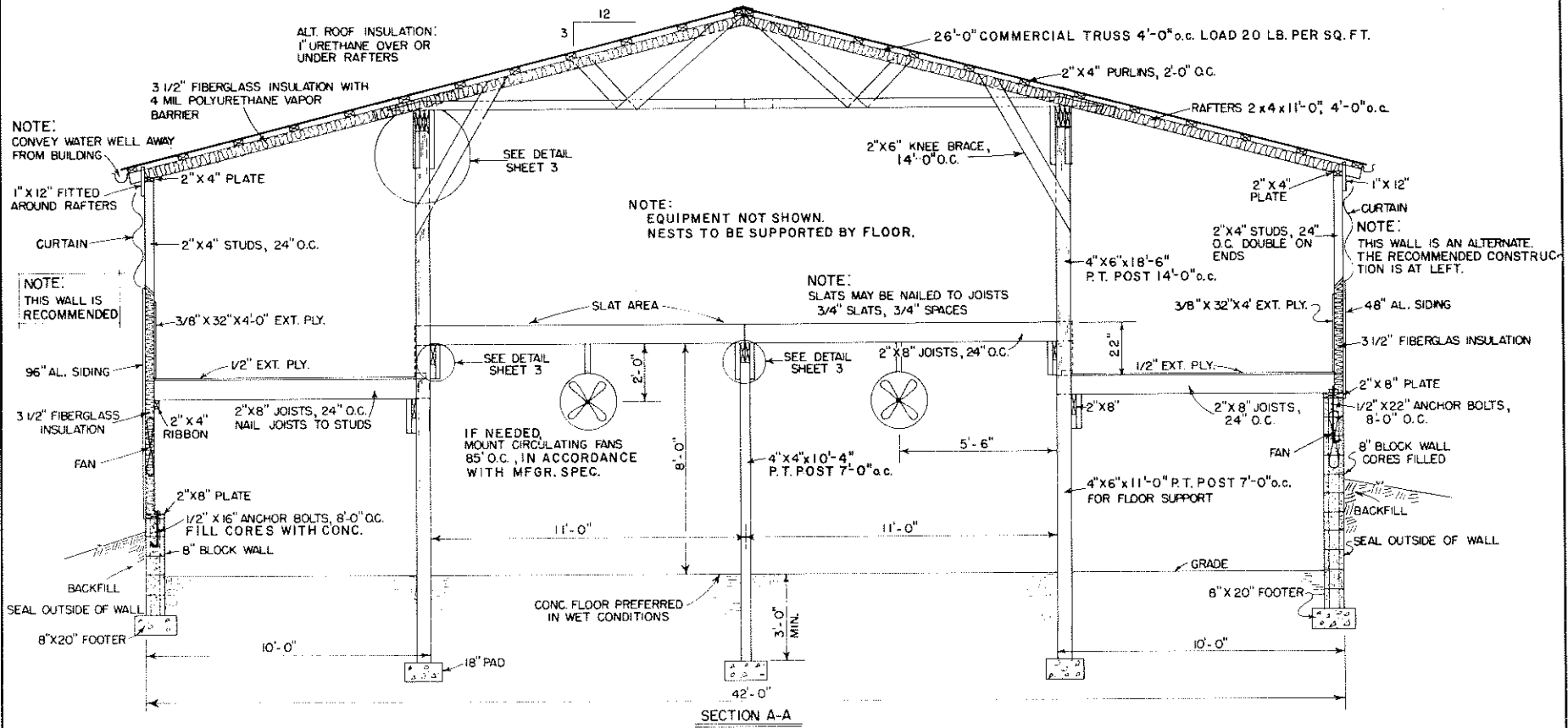


FOUNDATION LAYOUT

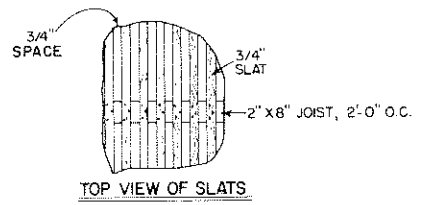
CONSULT LOCAL HEALTH AND BUILDING CODE AUTHORITIES BEFORE STARTING CONSTRUCTION.

BASED ON VPI & SU PLAN NO. F-250

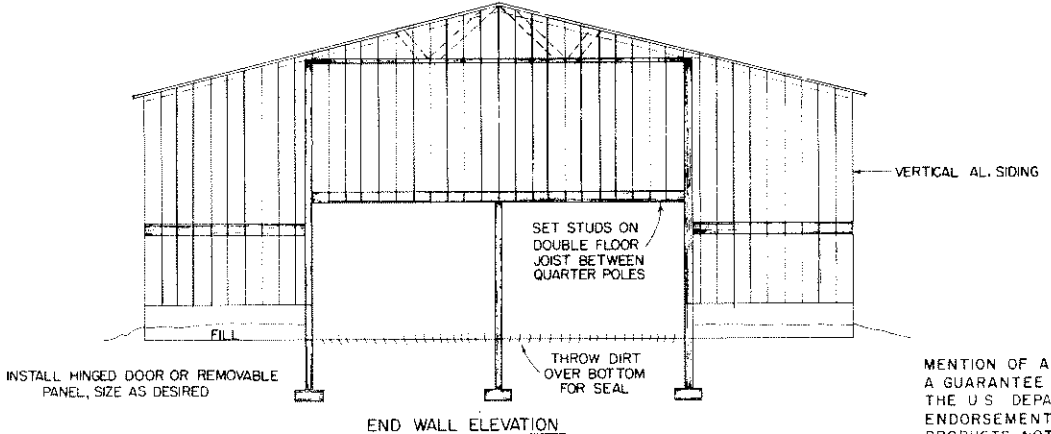
COOPERATIVE EXTENSION WORK IN AGRICULTURE AND HOME ECONOMICS			
AND UNITED STATES DEPARTMENT OF AGRICULTURE COOPERATING			
BROILER BREEDER HOUSE			
DEEP PIT			
VA.	'75	6235	SHEET 1 OF 3



SECTION A-A



TOP VIEW OF SLATS

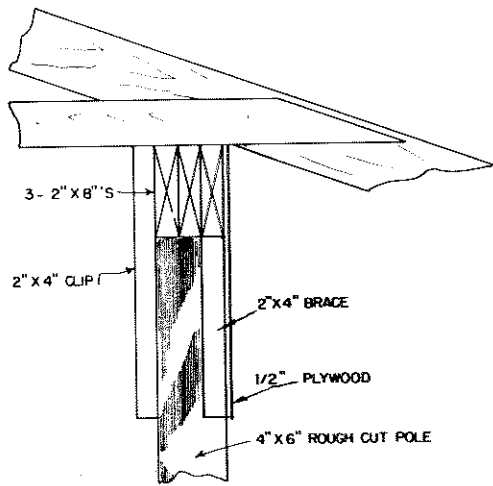


END WALL ELEVATION

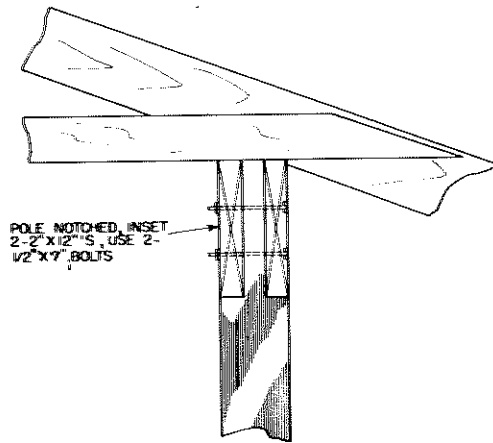
MENTION OF A TRADE NAME DOES NOT CONSTITUTE A GUARANTEE OR WARRANTY OF THE PRODUCT BY THE U.S. DEPARTMENT OF AGRICULTURE OR AN ENDORSEMENT BY THE DEPARTMENT OVER OTHER PRODUCTS NOT MENTIONED.

NOTE: ROUGH LUMBER THRU-OUT UNLESS OTHERWISE INDICATED

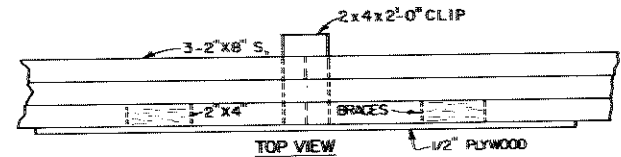
COOPERATIVE EXTENSION WORK IN AGRICULTURE AND HOME ECONOMICS			
AND UNITED STATES DEPARTMENT OF AGRICULTURE COOPERATING			
BROILER BREEDER HOUSE			
DEEP PIT			
VA.	175	6235	SHEET 2 OF 3



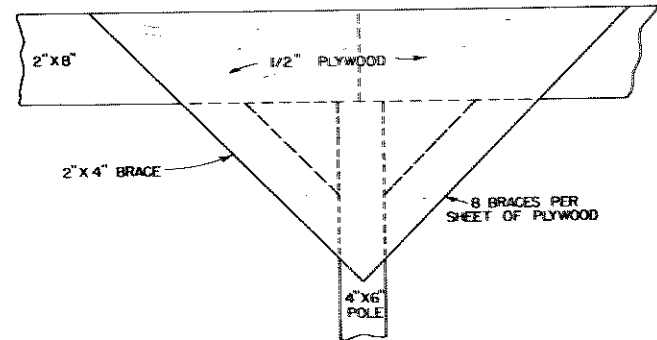
QUARTER POLE TOP



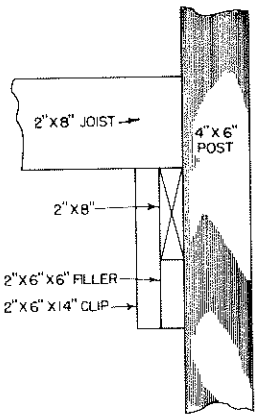
ALTERNATE
QUARTER POLE TOP



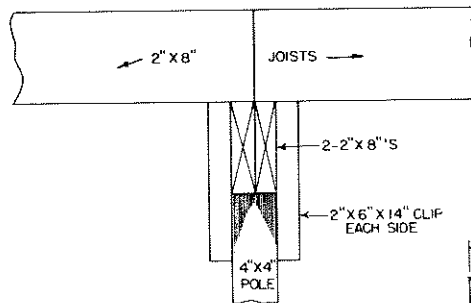
TOP VIEW



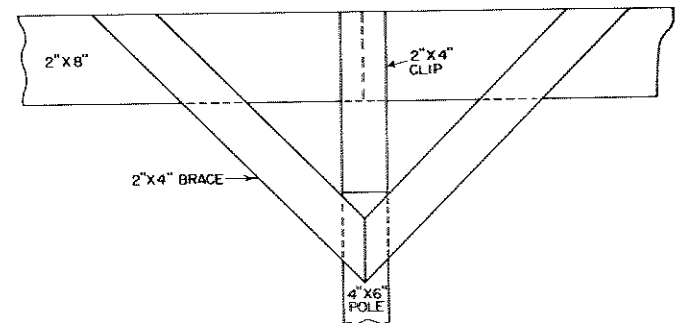
SIDE VIEW
PLYWOOD BRACE SYSTEM



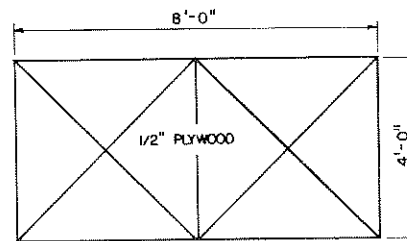
QUARTER SUPPORT



CENTER SUPPORT



ALTERNATE BRACE SYSTEM



CUTTING DIAGRAM
FOR BRACES

COOPERATIVE EXTENSION WORK IN AGRICULTURE AND HOME ECONOMICS			
AND UNITED STATES DEPARTMENT OF AGRICULTURE COOPERATING			
BROILER BREEDER HOUSE DEEP PIT			
VA.	'75	6 2 3 5	SHEET 3 OF 3