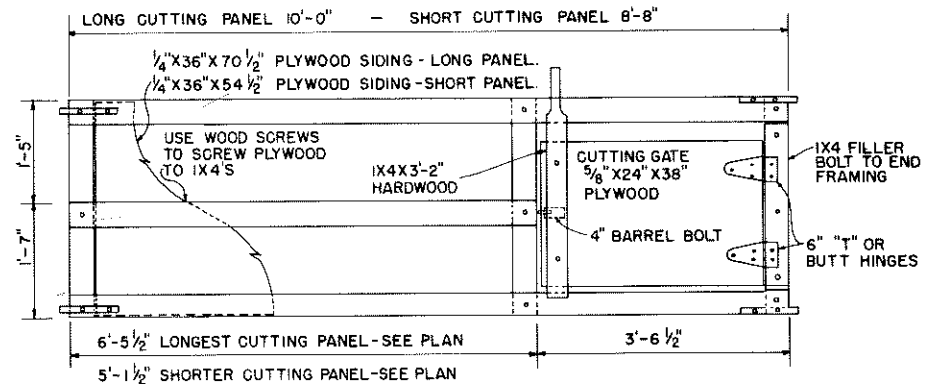
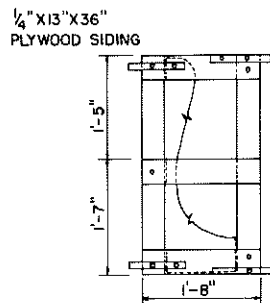


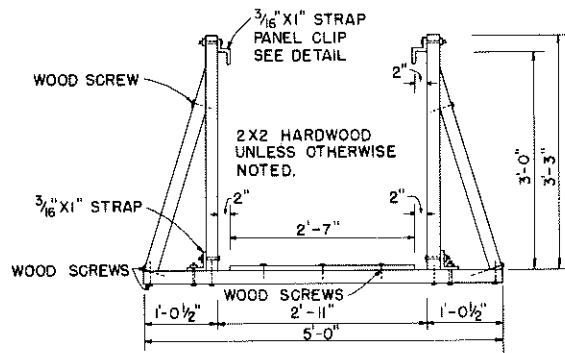
STANDARD PANEL - 12 REQUIRED



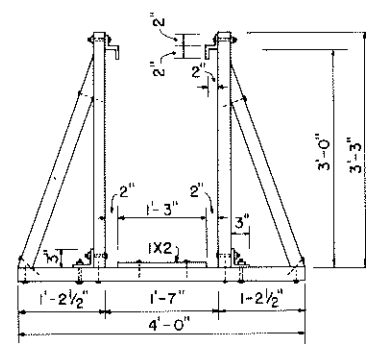
CUTTING PANELS - 1 EACH SIZE REQUIRED



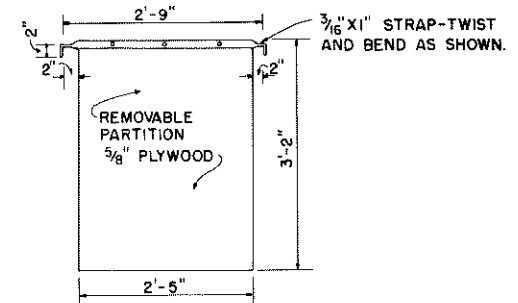
SHORT PANEL - 1 REQUIRED



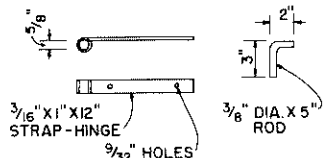
CROWDING CHUTE BRACE - 3 REQUIRED



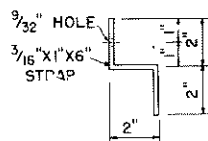
CUTTING CHUTE BRACE - 2 REQUIRED



REMOVABLE PARTIONS - 2 REQUIRED



HINGE & PIN DETAILS



PANEL CLIP DETAIL

MATERIALS:

- 78 PCS. 1X4 X 10'-0"
- 15 PCS. 1X4 X 12'-0"
- 5 PCS. 2X2 X 10'-0" HARDWOOD.
- 4 PCS. 2X2 X 12'-0" HARDWOOD.
- 1 SHEET 5/8" EXT. PLYWOOD.
- 2 SHEET 1/4" EXT. PLYWOOD.
- 1 PIECE 1X2 X 12'-0" HARDWOOD
- 3/16" X 1" X 76'-0" STRAP IRON
- 2 PR. 6" "T" OR BUTT HINGES
- 3/8" DIA. X 12'-6" STEEL ROD
- TWO - 4" BARREL BOLTS
- VARIOUS FASTENERS - WOOD SCREWS - BOLTS & WASHERS

BASED ON: W.VA. UNIV.
PLAN NO. SH-152

COOPERATIVE EXTENSION WORK IN AGRICULTURE AND HOME ECONOMICS		
AND UNITED STATES DEPARTMENT OF AGRICULTURE COOPERATING		
PORTABLE HANDLING FACILITY FOR SHEEP		
W.VA.	'75	6236
		SHEET 1 OF 1