

NOTE:
CONSULT LOCAL HEALTH AND BUILDING CODE
AUTHORITIES BEFORE STARTING CONSTRUCTION

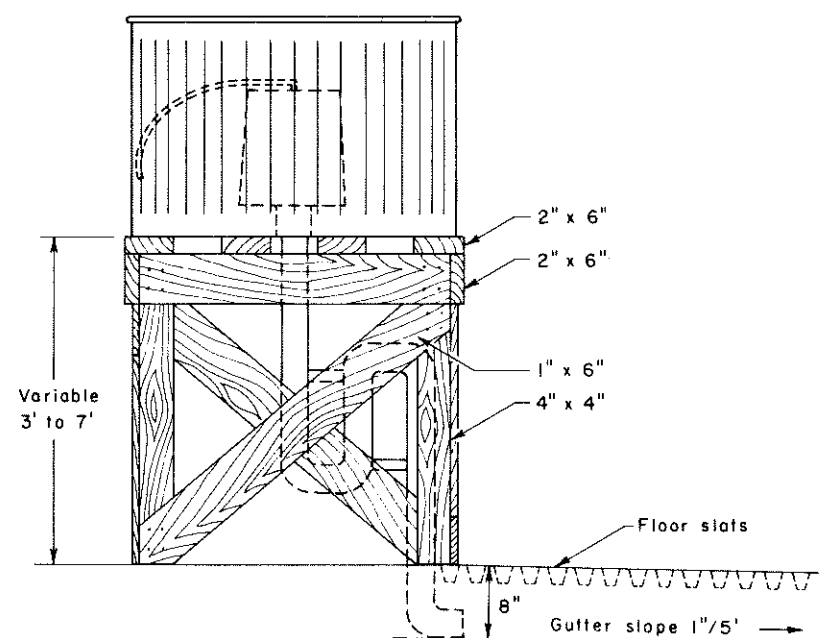
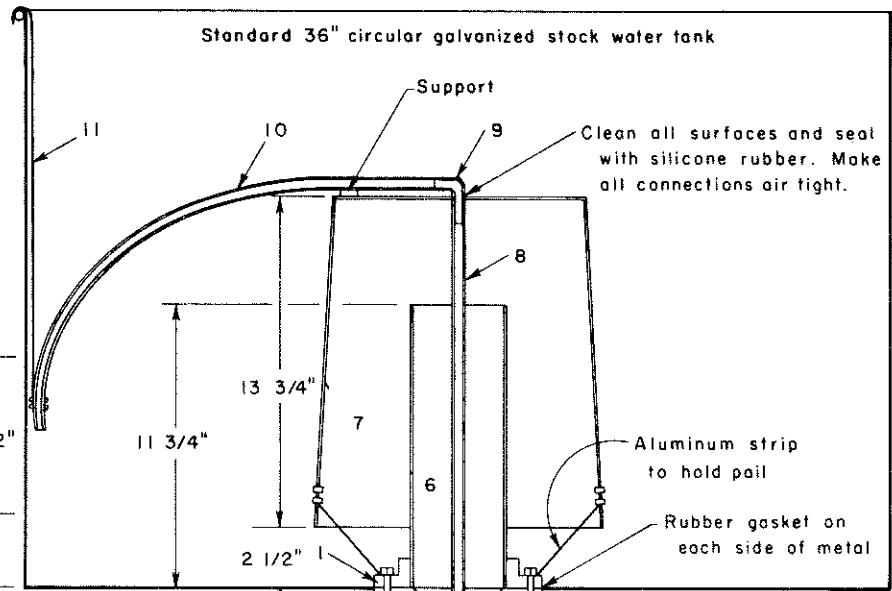
BASED ON: UNIV. OF MD.
PLAN 75-1-5

COOPERATIVE EXTENSION WORK IN
AGRICULTURE AND HOME ECONOMICS

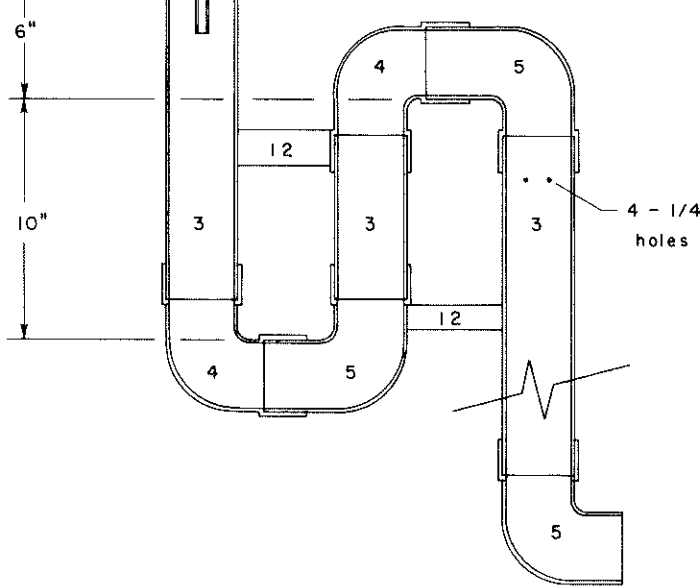
AND
UNITED STATES DEPARTMENT OF AGRICULTURE COOPERATING

FARROWING HOUSE

MD. '76	6 2 3 9	SHEET 1 OF 2
---------	---------	--------------



- 1. 4" closet flange PVC
- 2. 4" x 3" reducing closet flange PVC
- 3. 3" pipe PVC
- 4. 3" 90° long elbow PVC
- 5. 3" 90° long elbow single socket PVC
- 6. 4" pipe PVC
- 7. 5 gallon plastic pail
- 8. 1/2" pipe PVC
- 9. 1/2" insert elbow PVC
- 10. 1/2" garden hose
- 11. Adjustable wire hanger
- 12. Scrap PVC stiffener supports



SIPHON DETAIL

FLUSH TANK

Patterned after Iowa State University design 1970.

COOPERATIVE EXTENSION WORK IN
 AGRICULTURE AND HOME ECONOMICS

AND
 UNITED STATES DEPARTMENT OF AGRICULTURE COOPERATING

FARROWING HOUSE

MD. '76 6 2 3 9 SHEET 2 OF 2