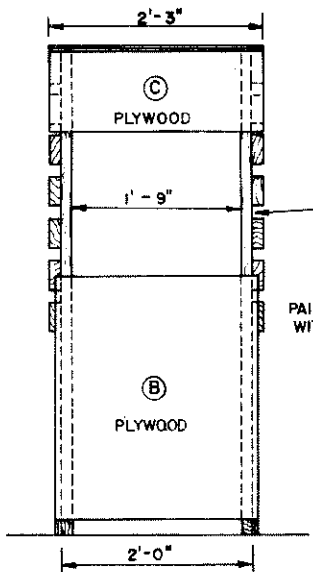
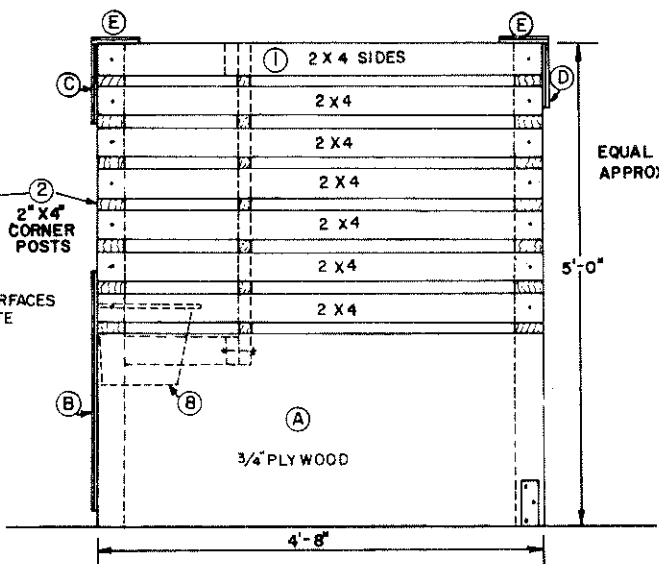


TOP VIEW



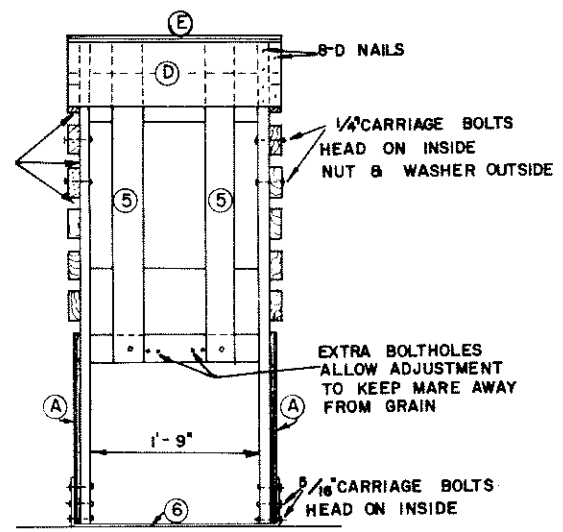
END VIEW
CLOSED END

PAINT ALL SURFACES
WITH CREOSOTE



SIDE VIEW

EQUAL SPACING
APPROX. 19/8"

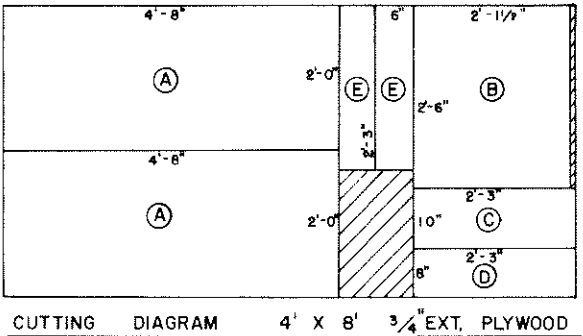
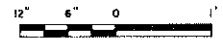


END VIEW
ENTRANCE

MATERIALS REQUIRED.

- | | | |
|-------------------------|--------|--|
| 1. SIDES | 14 PCS | 2" X 4" X 4' - 8" |
| 2. CORNER POSTS | 4PCS | 2" X 4" X 5'-0" |
| 3. INSIDE BLOCKS | 4PCS | 2" X 4" X 1'-0 1/2" |
| 4. CROSS PIECES | 2PCS | 2" X 4" X 2'-0" |
| 5. HEAD STOPS | 2PCS | 2" X 4" X 3'-4" |
| 6. STEEL CROSS BRACE | 1PC | 1/4" X 2" X 3'-0" |
| 7. CORNER BRACKET | 1PC | STEEL TO SUIT |
| 8. FEED BUCKET | | PLASTIC CORNER PAIL FOR HORSES |
| 9. PLYWOOD | | 1 PC 3/4" EXTERIOR CUT AS SHOWN ON DIAGRAM |
| 10. BOLTS AND NAILS | | |
| 11. CREOSOTE FOR FINISH | | |

DESIGN BY: DEPT. ANIMAL
SCIENCE, PSU



CUTTING DIAGRAM 4' X 8' 3/4" EXT. PLYWOOD



PLAN 821-284
BASED ON: PENN STATE UNIV.

COOPERATIVE EXTENSION WORK IN
AGRICULTURE AND HOME ECONOMICS

UNITED STATES DEPARTMENT OF AGRICULTURE COOPERATING

**IN-STALL CREEP BOX
FOR HORSES**

PA '77 6 2 6 4 SHEET 1 OF 1