

BASED ON: UNIV. OF FLA. PLAN NO. 1081

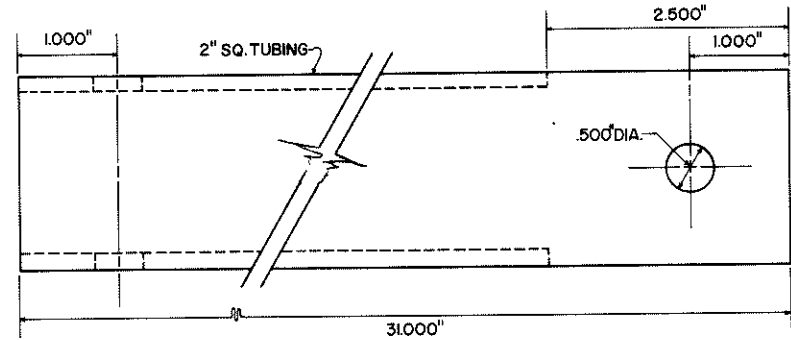
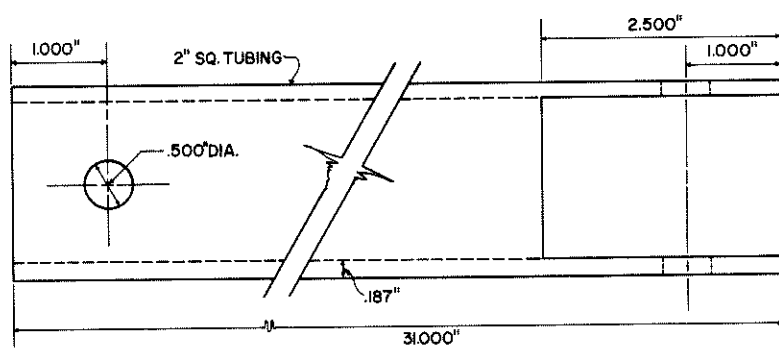
COOPERATIVE EXTENSION WORK IN
AGRICULTURE AND HOME ECONOMICS

AND
UNITED STATES DEPARTMENT OF AGRICULTURE COOPERATING

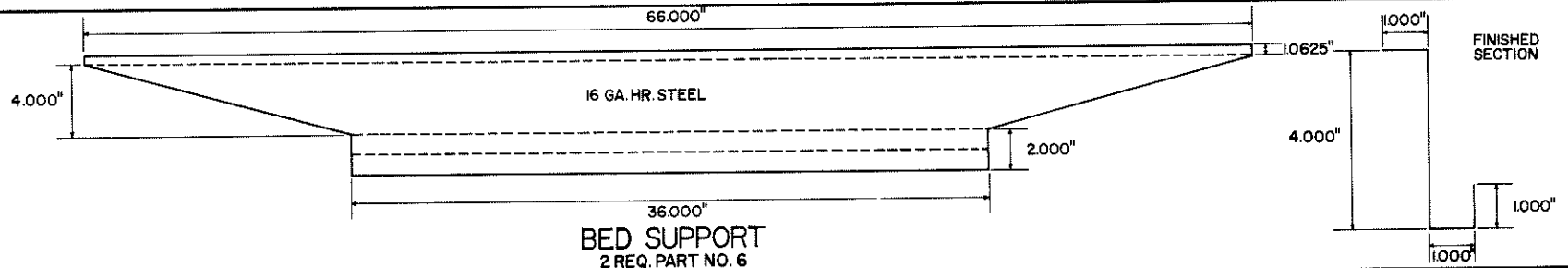
**NURSERY WAGON
FOUR WHEEL STEER**

FLA. '78 6293 SHEET 1 OF 5

HANDLE
1 REQ. PART NO. 25
NOT TO SCALE



1.) CUT OUT TWO PIECES FROM 16 GA. HR. STEEL.
2.) BEND ON BROKEN LINES TO SECTION SHOWN.

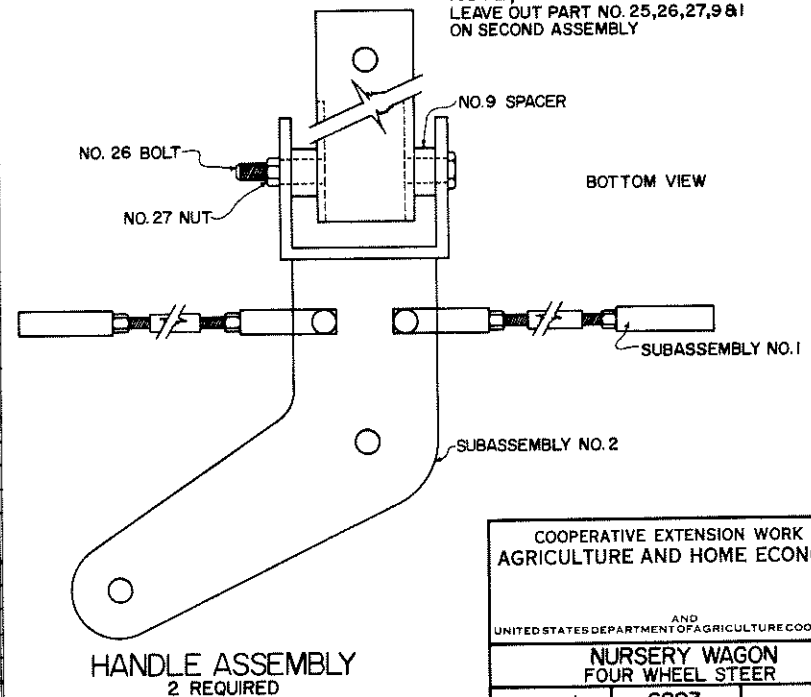


BED SUPPORT
2 REQ. PART NO. 6

PARTS LIST

PART NUMBER	DESCRIPTION	NUMBER REQUIRED	P=PURCHASE M=MAKE
#1	TONGUE MOUNTING "U" PLATE	1	M
#2	WHEEL SHAFT	4	M
#3	DOG LEG PLATE	2	M
#4	STEERING ARM LEVER	4	M
#5	BED SUPPORT STIFFENER	2	M
#6	BED SUPPORT	2	M
#7	STEERING ROD	1	M
#8	TIE ROD	4	M
#9	SPACER	4	M
#10	SMALL BUSHING	4	M
#11	SLEEVE	4	M
#12	AXLE	2	M
#13	PIVOT ROD	2	M
#14	AXLE REINFORCER	4	M
#15	LARGE BUSHING	4	M
#16	TIE ROD END (INT. HARVESTER NO. 529 430-RI OR EQUAL)	10	P
#17	1/2" N.F. 20 NUT	10	P
#18	1/2" x 1/2" N.F. 20 BOLT WITH HEAD REMOVED	10	P&M
#19	3/4" I.I.N.C. CASTLE NUT	4	P
#20	4.00 x 8 WHEEL AND TIRE WITH SELF LUBRICATING BEARINGS; 3/8" BORE ON OUTSIDE BEARING, 1" BORE ON INSIDE	4	P&M
#21	WASHER	4	M
#22	3/8" x 1/2" I6.N.C. CAP SCREW	4	P
#23	1/2" I.I.N.C. CASTLE NUT	2	P
#24	WASHER - 3/8" INSIDE BORE, 1" O.D., 1/8" *THICK	4	P
#25	HANDLE	1	M
#26	1/2" x 4" N.F. 20 BOLT	1	P
#27	1/2" N.F. 20 NUT	1	P
#28	WASHER	4	M

NOTE;
LEAVE OUT PART NO. 25, 26, 27, 9 & 1
ON SECOND ASSEMBLY

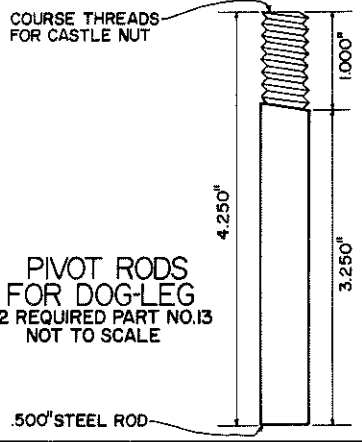
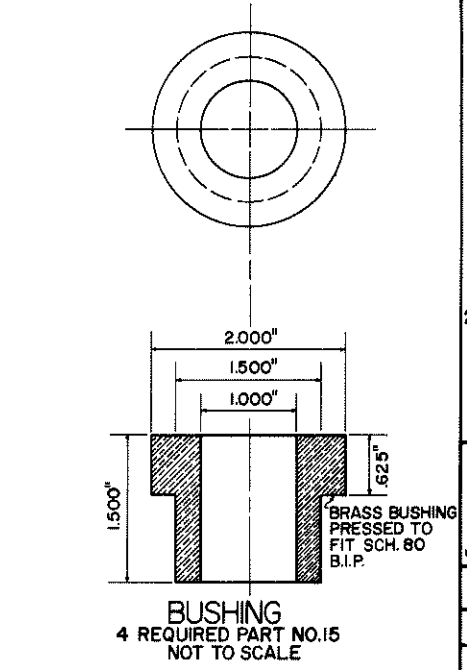
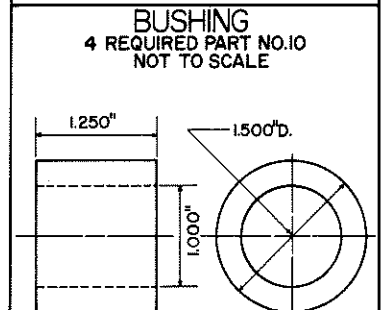
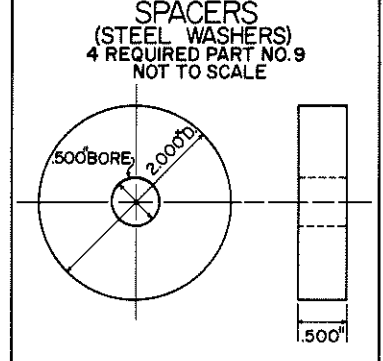
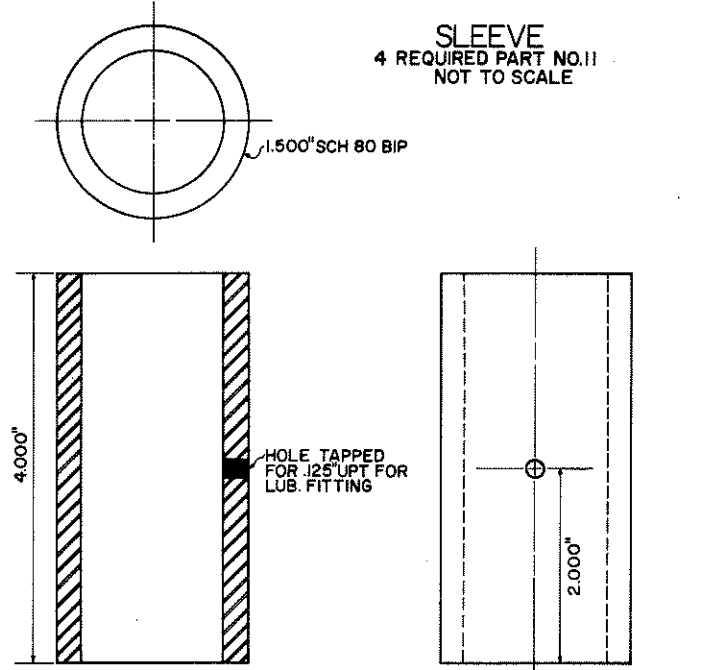
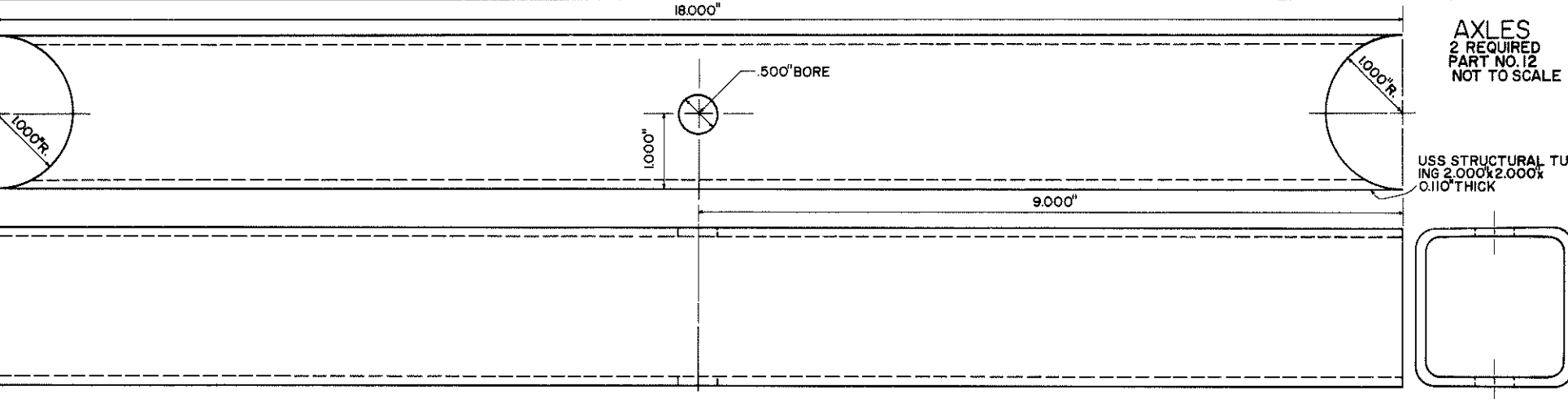
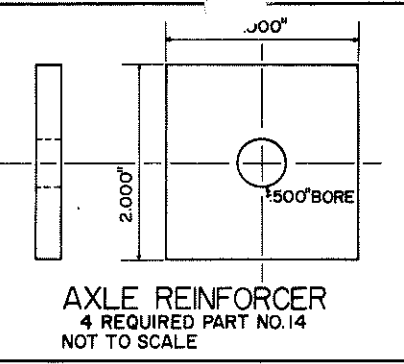
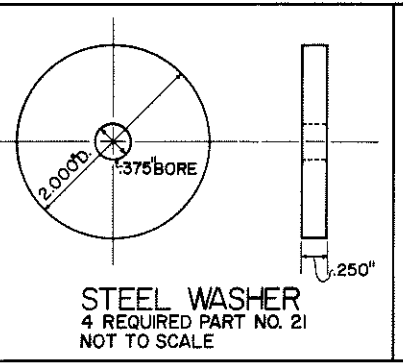
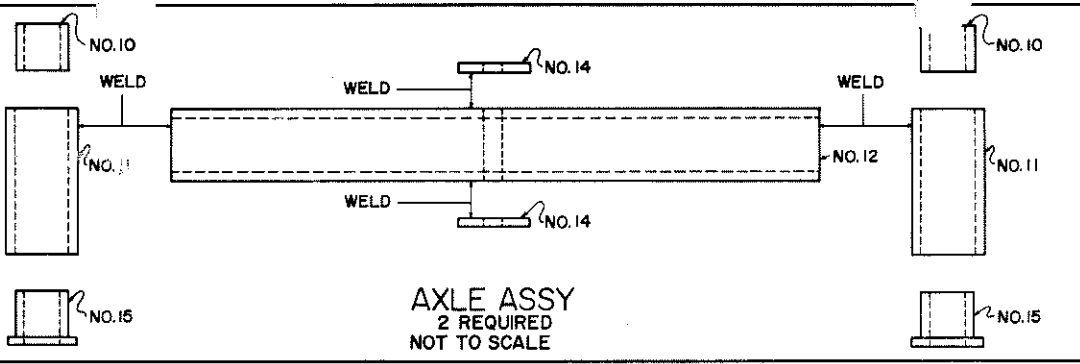


COOPERATIVE EXTENSION WORK IN
AGRICULTURE AND HOME ECONOMICS

AND
UNITED STATES DEPARTMENT OF AGRICULTURE COOPERATING

NURSERY WAGON
FOUR WHEEL STEER

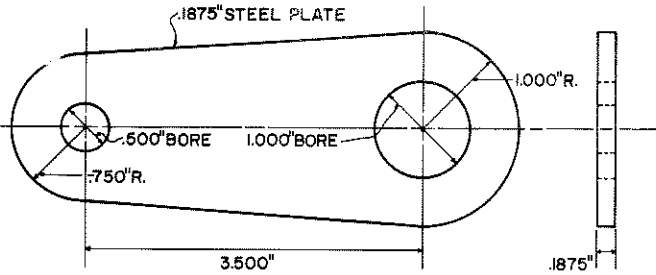
FLA. '78 6293 SHEET 2 OF 5



COOPERATIVE EXTENSION WORK IN AGRICULTURE AND HOME ECONOMICS
AND UNITED STATES DEPARTMENT OF AGRICULTURE COOPERATING
NURSERY WAGON
FOUR WHEEL STEER
FLA. '78 6293 SHEET 3 OF 5

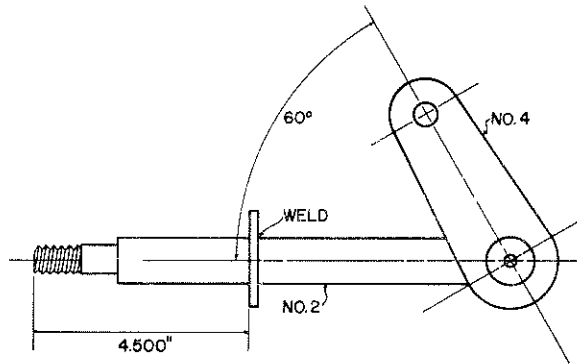
STEERING ARM LEVER

4 REQUIRED PART NO.4
NOT TO SCALE



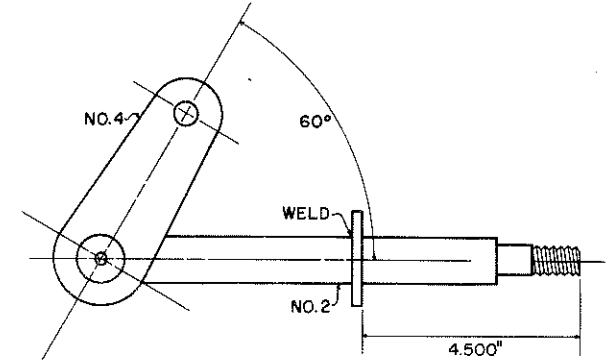
**LEFT FRONT & RIGHT REAR
WHEEL SHAFT ASSY.**

2 REQUIRED
SCALE: .500"=1.000 INCH



**RIGHT FRONT & LEFT REAR
WHEEL SHAFT ASSY.**

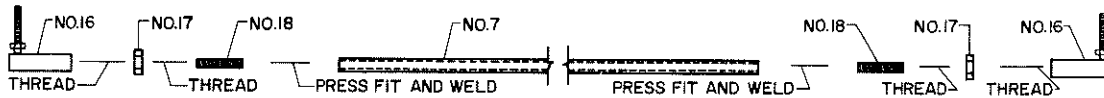
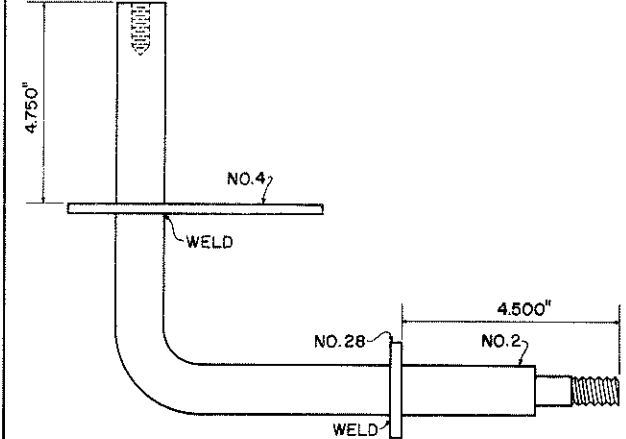
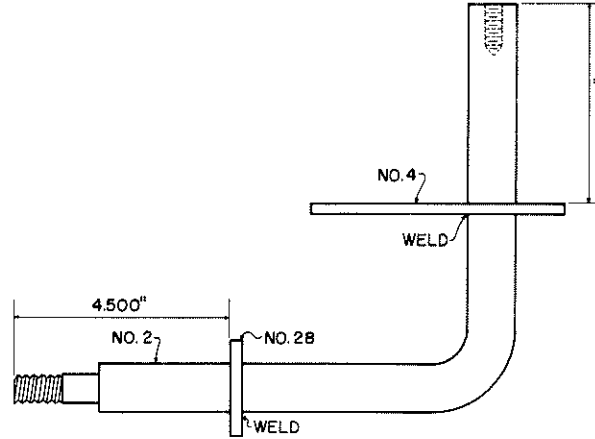
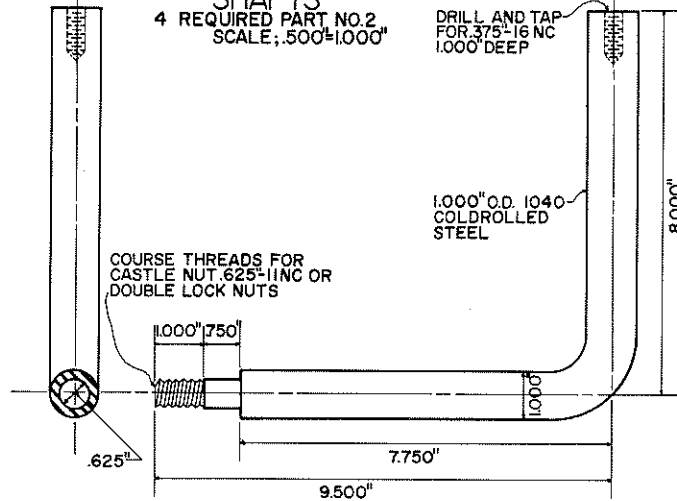
2 REQUIRED
SCALE: .500"=1.000 INCH



SHAFTS

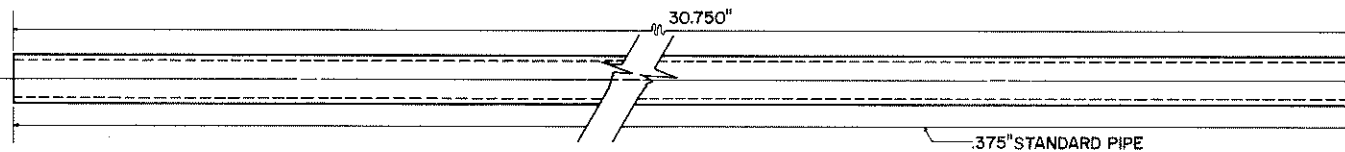
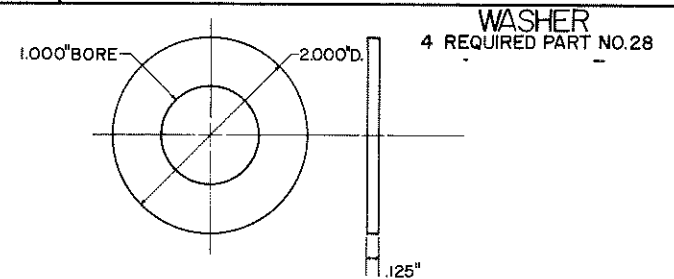
4 REQUIRED PART NO.2
SCALE: .500"=1.000"

DRILL AND TAP
FOR .375" 16 NC
1.000" DEEP



STEERING ROD ASSEMBLY
1 REQUIRED

STEERING ROD
1 REQUIRED PART NO.7

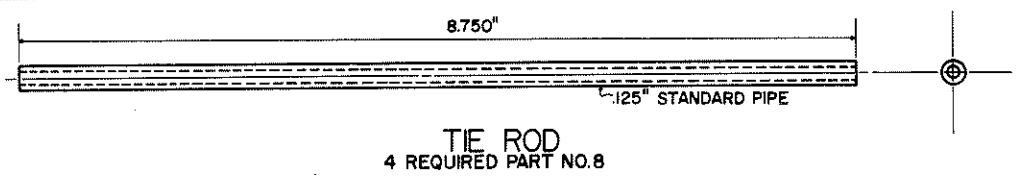
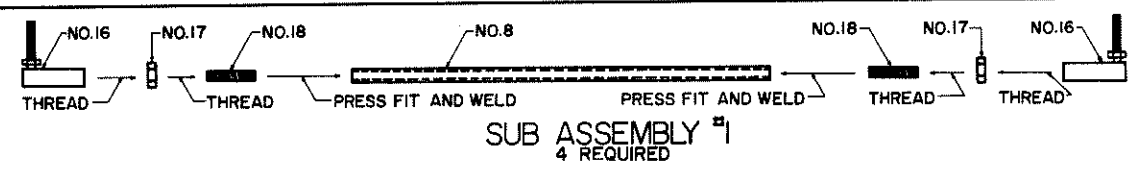
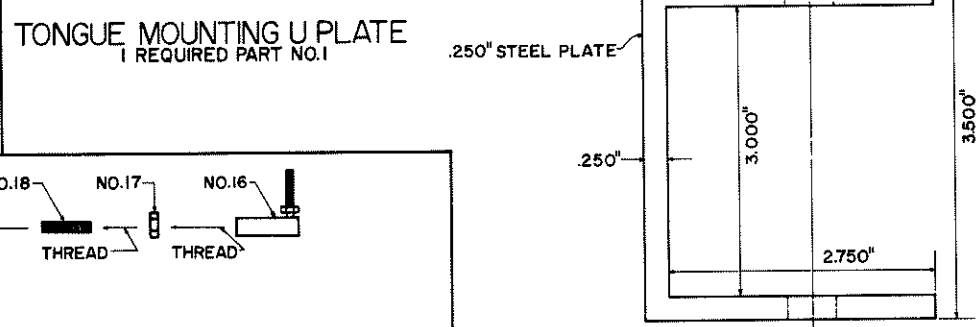
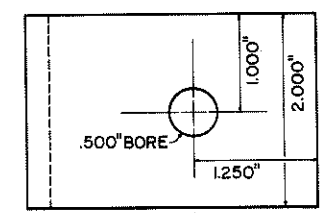
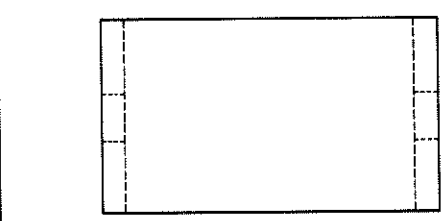
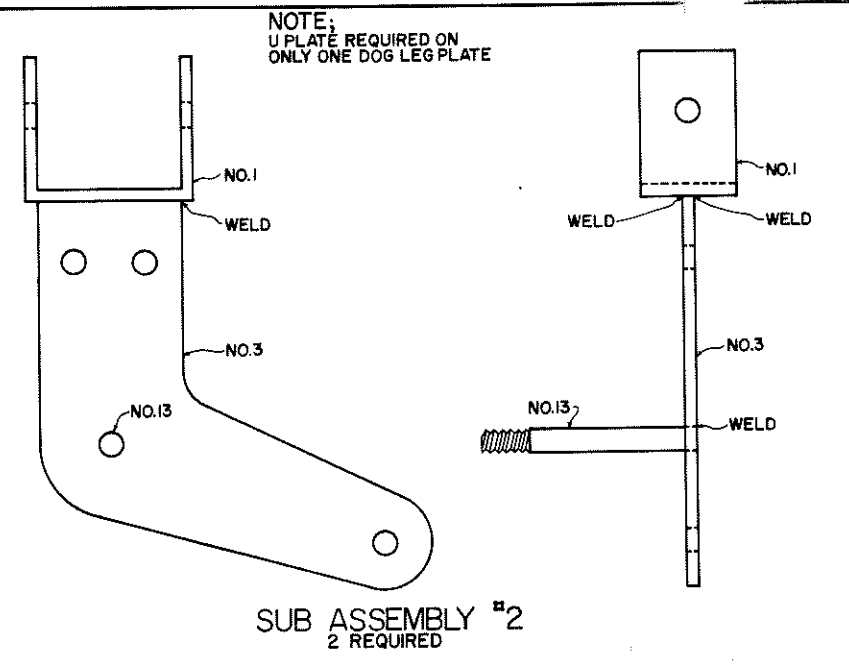
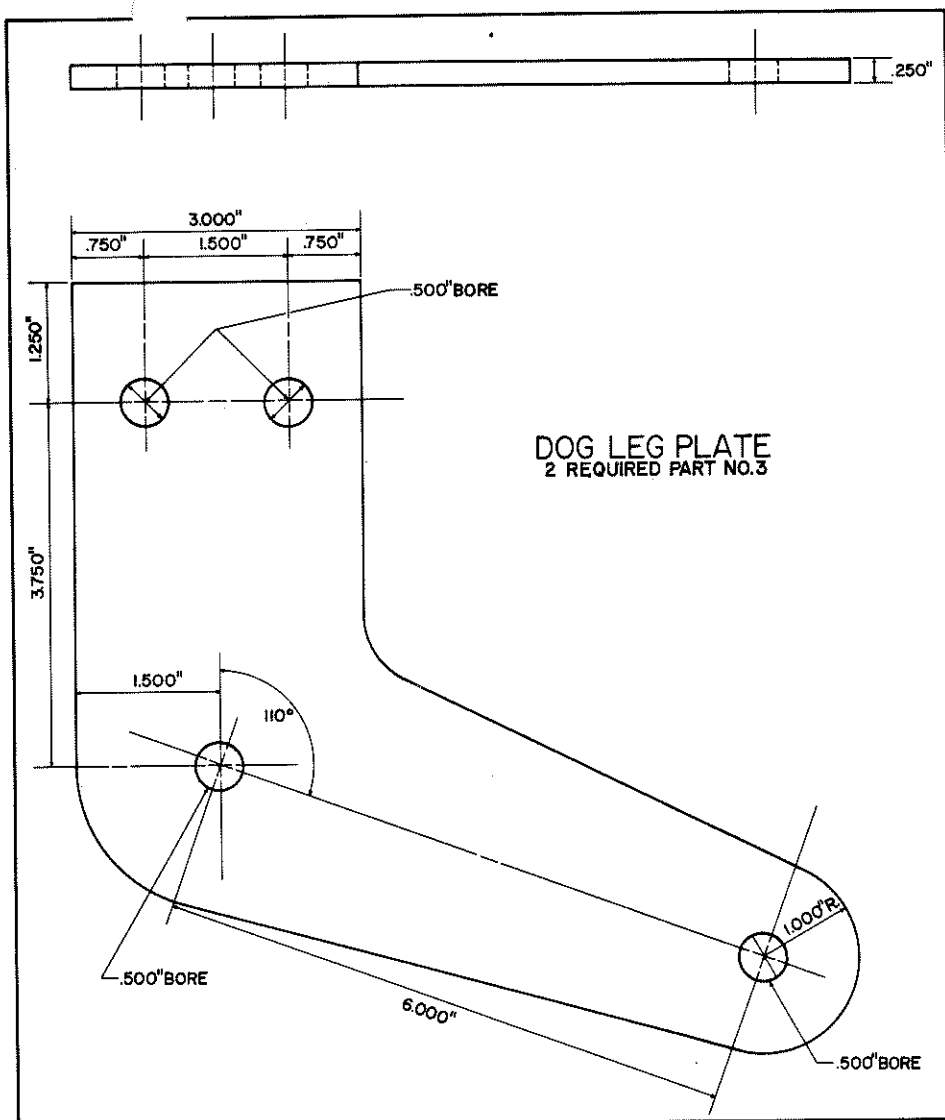


COOPERATIVE EXTENSION WORK IN
AGRICULTURE AND HOME ECONOMICS

AND
UNITED STATES DEPARTMENT OF AGRICULTURE COOPERATING

NURSERY WAGON
FOUR WHEEL STEER

FLA. '78 6293 SHEET 4 OF 5



COOPERATIVE EXTENSION WORK IN
 AGRICULTURE AND HOME ECONOMICS

AND
 UNITED STATES DEPARTMENT OF AGRICULTURE COOPERATING

NURSERY WAGON
FOUR WHEEL STEER

FLA. '78	6293	SHEET 5 OF 5
----------	------	--------------