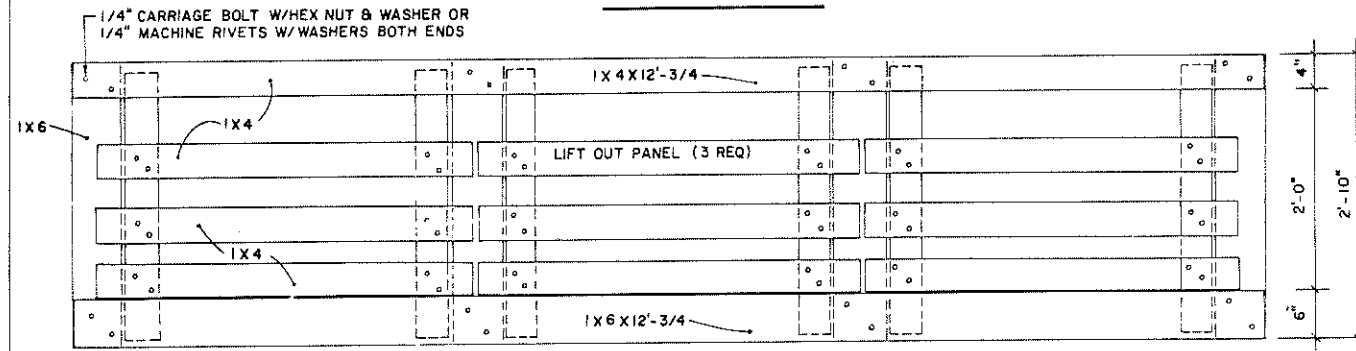
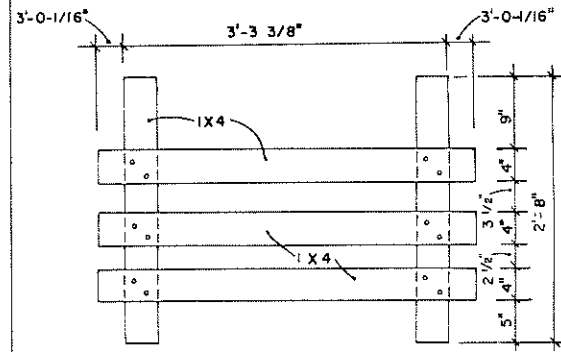


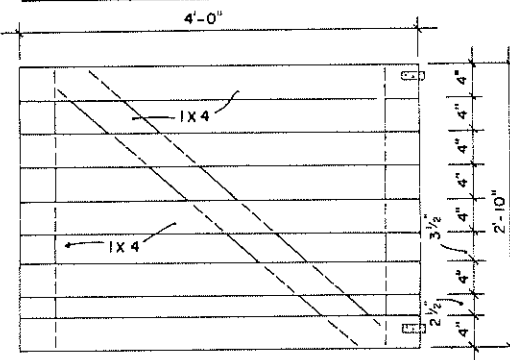
PLAN VIEW



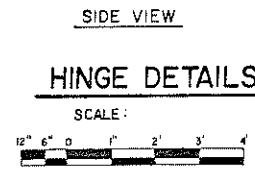
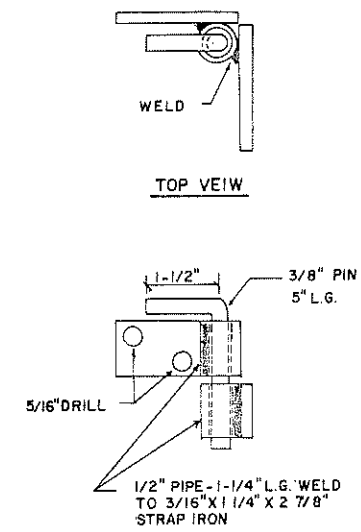
ELEVATION VIEW



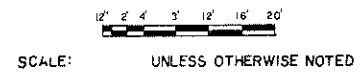
LIFT OUT PANEL DETAILS



PARTITION DETAILS



- NOTES
1. SIZES SHOWN ARE FOR FULL DIMENSION LUMBER
 2. SURFACED LUMBER CAN BE USED OVERALL DIMENSIONS WILL BE THE SAME BUT SPACING BETWEEN SOME MEMBERS WILL BE DIFFERENT



COOPERATIVE EXTENSION WORK IN AGRICULTURE AND HOME ECONOMICS		
AND UNITED STATES DEPARTMENT OF AGRICULTURE COOPERATING		
PORTABLE LAMBING UNIT		
W. V. '73	EX. 6304	SHEET 1 OF 1