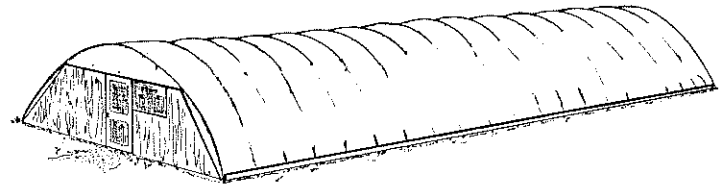


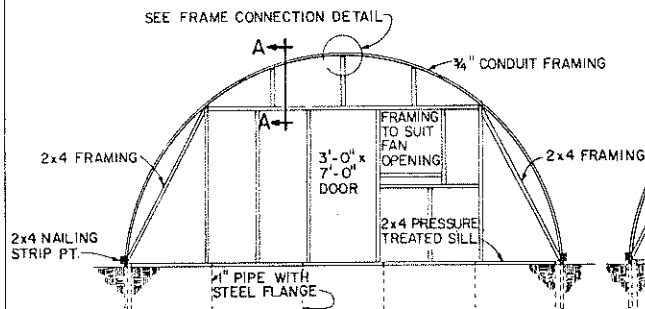
SIDE VIEW

SCALE:
12' 6" 1' 2' 3' 4'

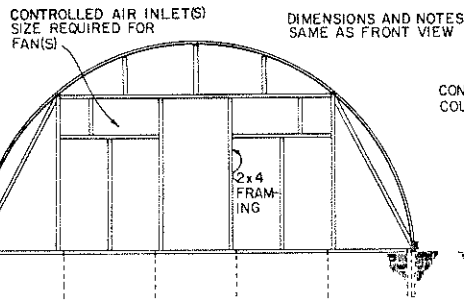


PERSPECTIVE

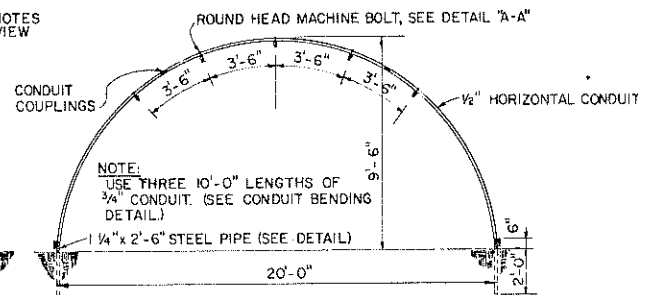
NOT TO SCALE



FRONT VIEW

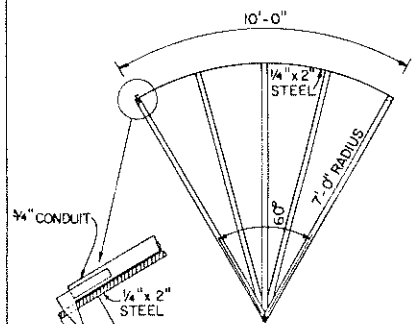


REAR VIEW



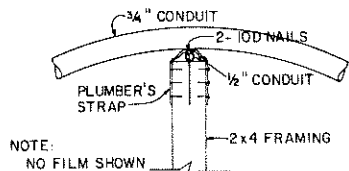
TYPICAL CONDUIT FRAME

SCALE:
12' 6" 1' 2' 3' 4'



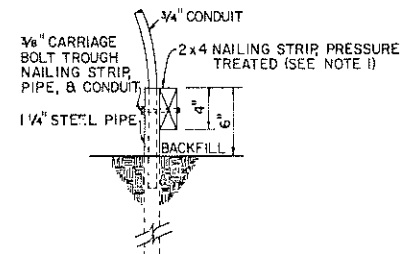
CONDUIT BENDING FRAME

NOT TO SCALE



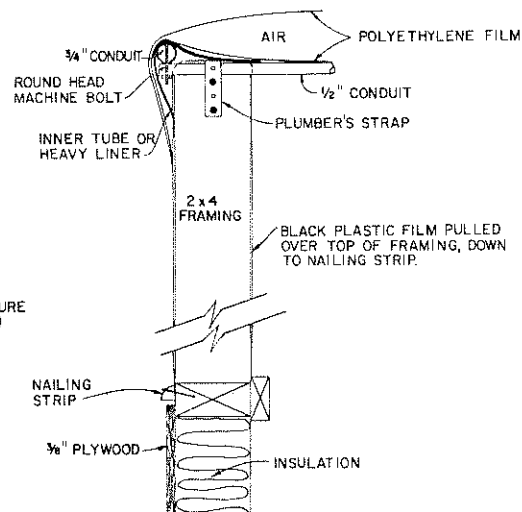
FRAME CONNECTION DETAIL

SCALE: 3" = 1'-0"



PIPE DETAIL

SCALE:
12' 6" 1' 2' 3' 4'



DETAIL "A-A"

NOTES:

- 1) DO NOT USE CREOSOTE OR "PENTA" TREATED WOOD.
- 2) CONSULT LOCAL HEALTH AND BUILDING CODE AUTHORITIES BEFORE STARTING CONSTRUCTION.
- 3) ROLL JIGS OR OTHER ARRANGEMENTS FOR BENDING CONDUIT CAN BE USED.

COOPERATIVE EXTENSION WORK IN
AGRICULTURE AND HOME ECONOMICS

AND
UNITED STATES DEPARTMENT OF AGRICULTURE COOPERATING

**GREENHOUSE
PIPE FRAME**

VA. '78 6312 SHEET 1 OF 1