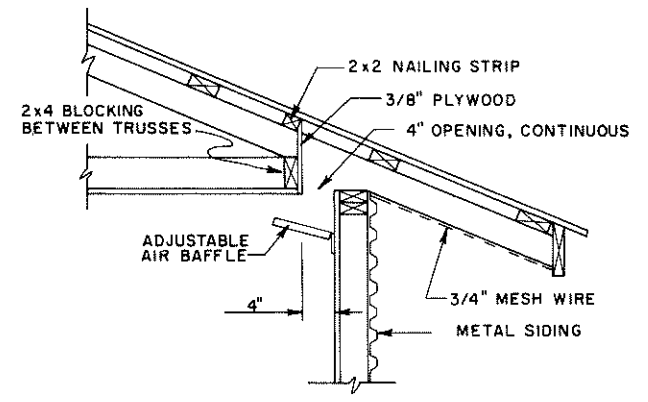
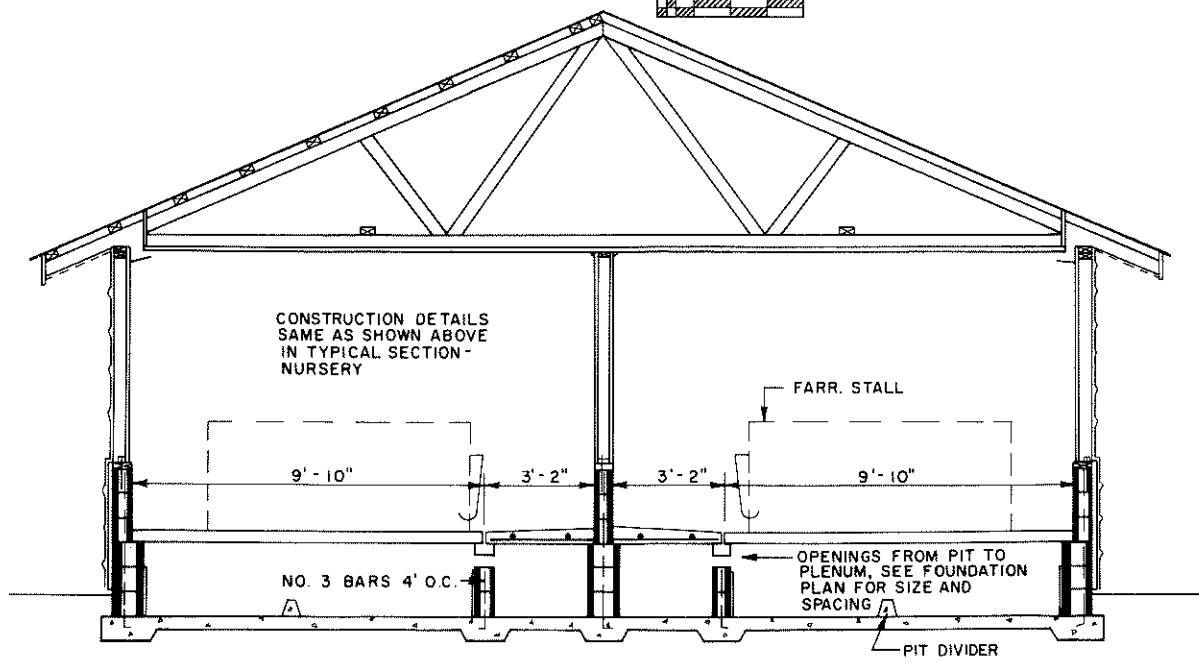


TYPICAL SECTION - NURSERY



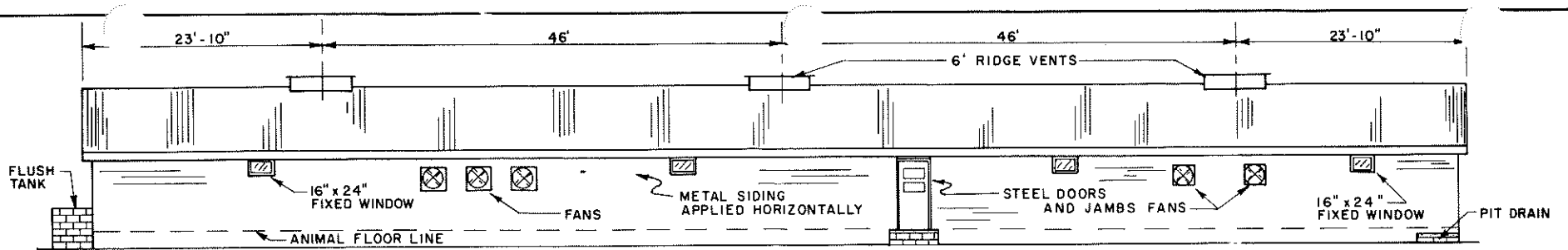
AIR INLET DETAIL  
NO SCALE



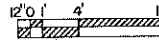
TYPICAL SECTION - FARROWING



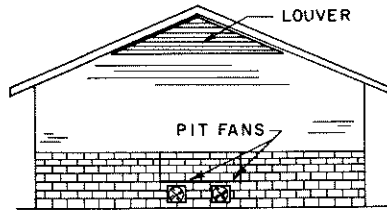
COOPERATIVE EXTENSION SERVICE  
 AGRICULTURE AND HOME ECONOMICS  
 AND  
 UNITED STATES DEPARTMENT OF AGRICULTURE COOPERATING  
 TWO ROOM FARROWING &  
 NURSERY - FLUSH UNDER SLATS  
 N.C. '83 6366 SHEET 2 OF 3



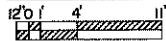
SIDE ELEVATION



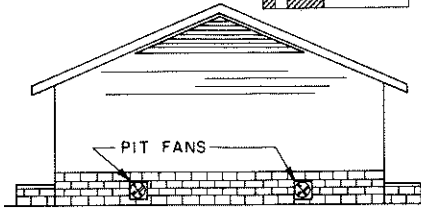
SCALE



FARR. END ELEVATION



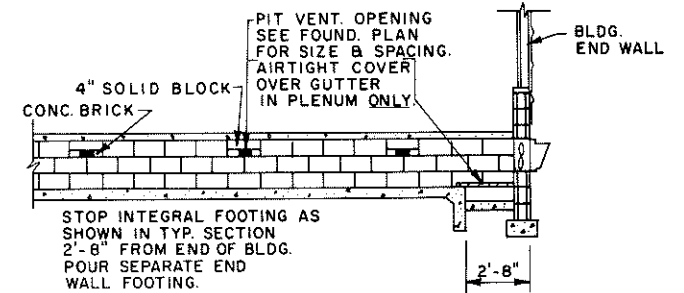
SCALE



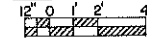
NURSERY END ELEVATION



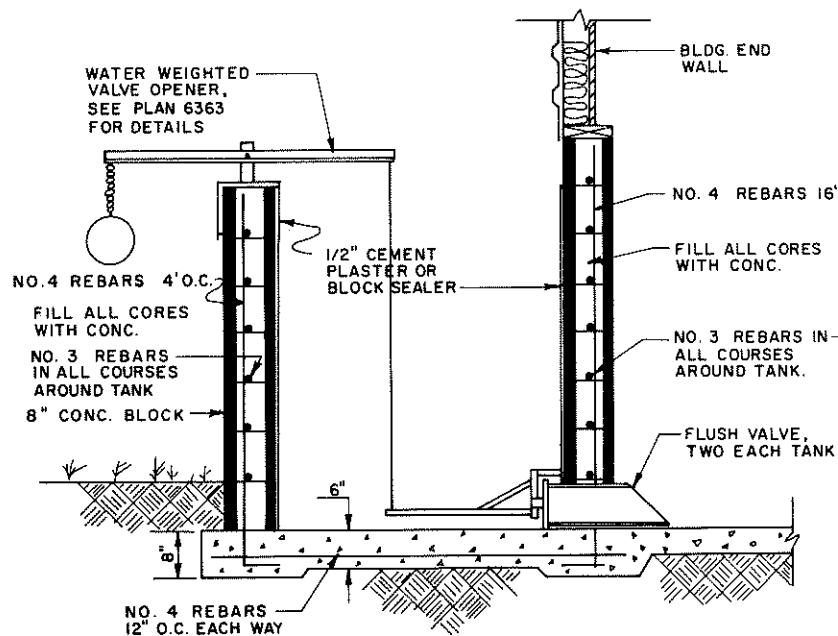
SCALE



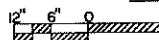
SECTION THRU PLENUM



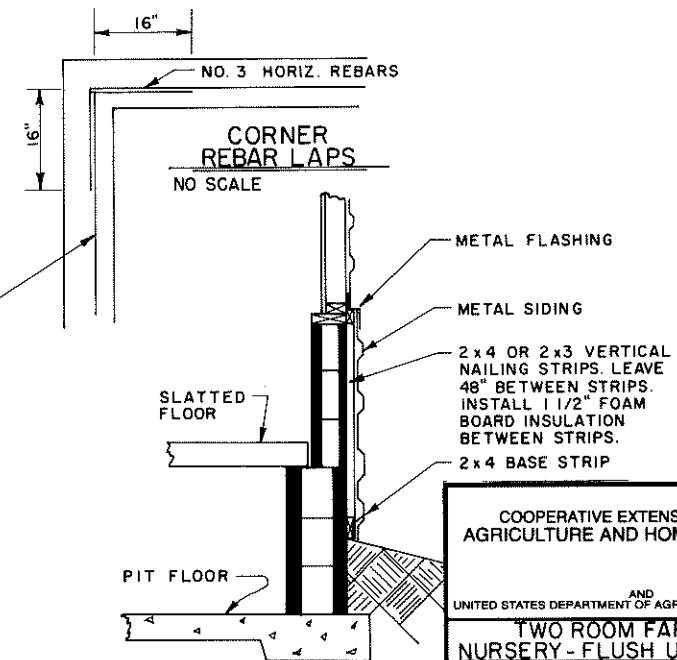
SCALE



SECTION - FLUSH TANK



SCALE:



WALL INSULATION



SCALE:

COOPERATIVE EXTENSION SERVICE  
AGRICULTURE AND HOME ECONOMICS

AND  
UNITED STATES DEPARTMENT OF AGRICULTURE COOPERATING

TWO ROOM FARROWING &  
NURSERY - FLUSH UNDER SLATS

N.C. '83 6366 SHEET 3 OF 3