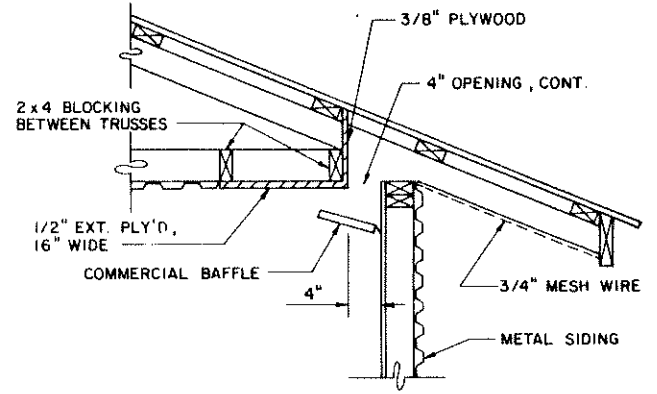


TYPICAL SECTION

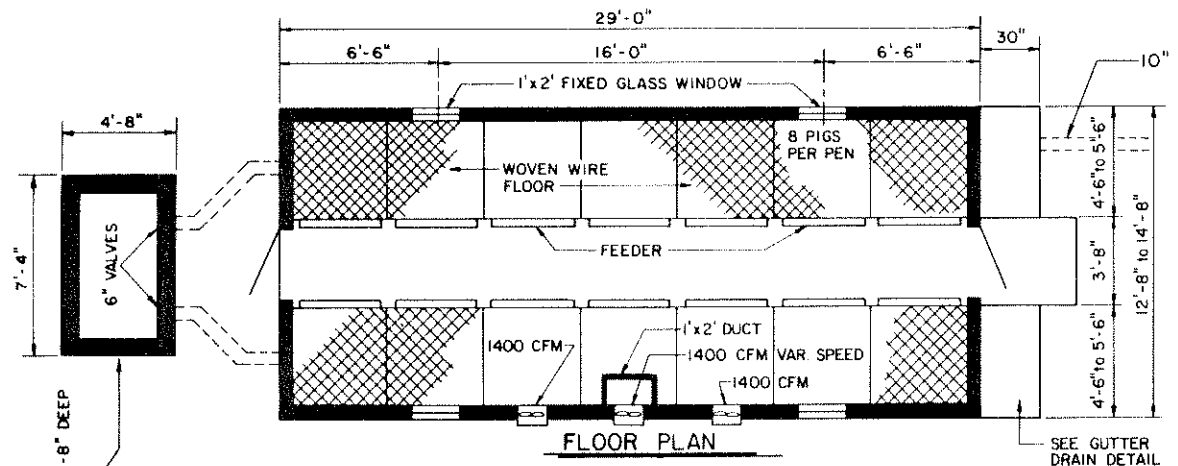


AIR INLET DETAIL

NOT TO SCALE

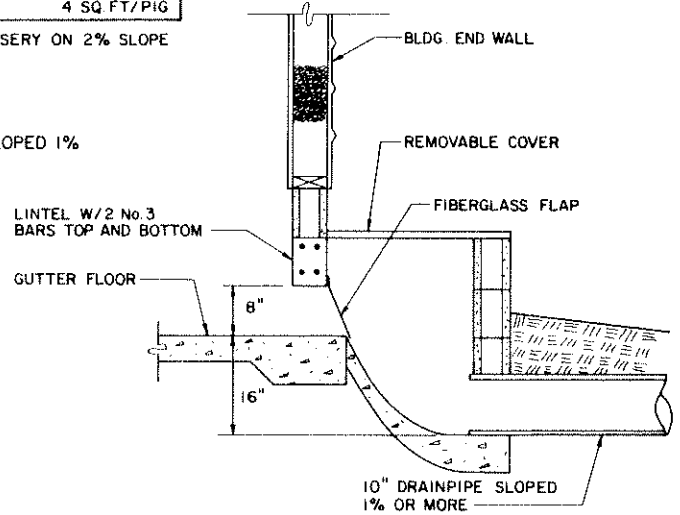
SPACE REQUIREMENTS	
TO 40 lb	2 SQ FT/PIG
40 TO 50 lb	3 SQ FT/PIG
50 TO 60 lb	4 SQ FT/PIG

CONSTRUCT NURSERY ON 2% SLOPE



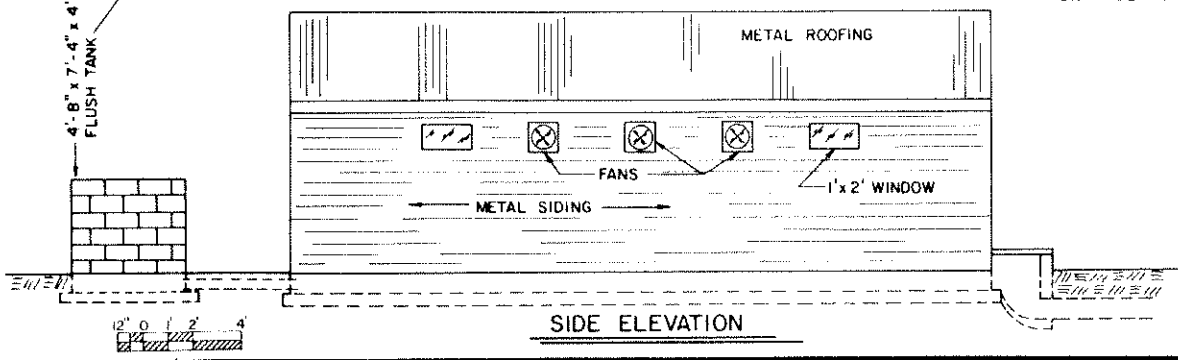
FLOOR PLAN

SEE GUTTER DRAIN DETAIL



GUTTER DRAIN DETAIL

NOT TO SCALE



SIDE ELEVATION

COOPERATIVE EXTENSION SERVICE
 AGRICULTURE AND HOME ECONOMICS

AND
 UNITED STATES DEPARTMENT OF AGRICULTURE COOPERATING

RAISED PEN NURSERY

NC '85	6369	SHEET 1 OF 1
--------	------	--------------