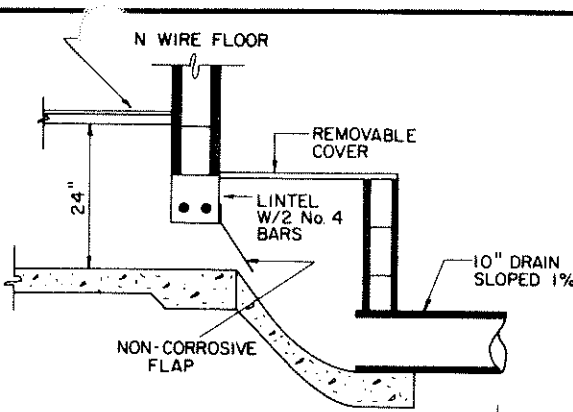
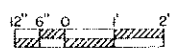
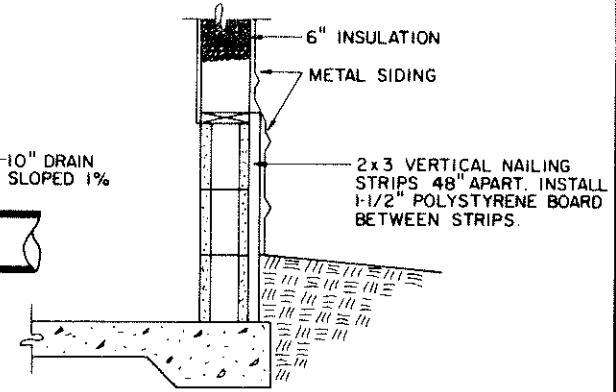
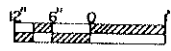


TYPICAL SECTION

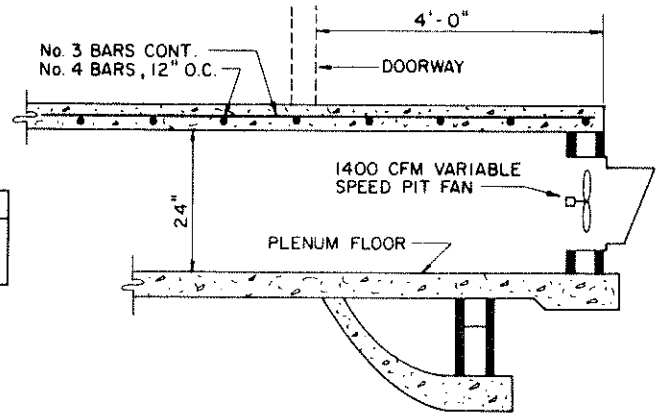


PIT DRAIN DETAIL

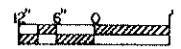


WALL INSULATION DETAIL

NOT TO SCALE



SECTION THRU PLENUM

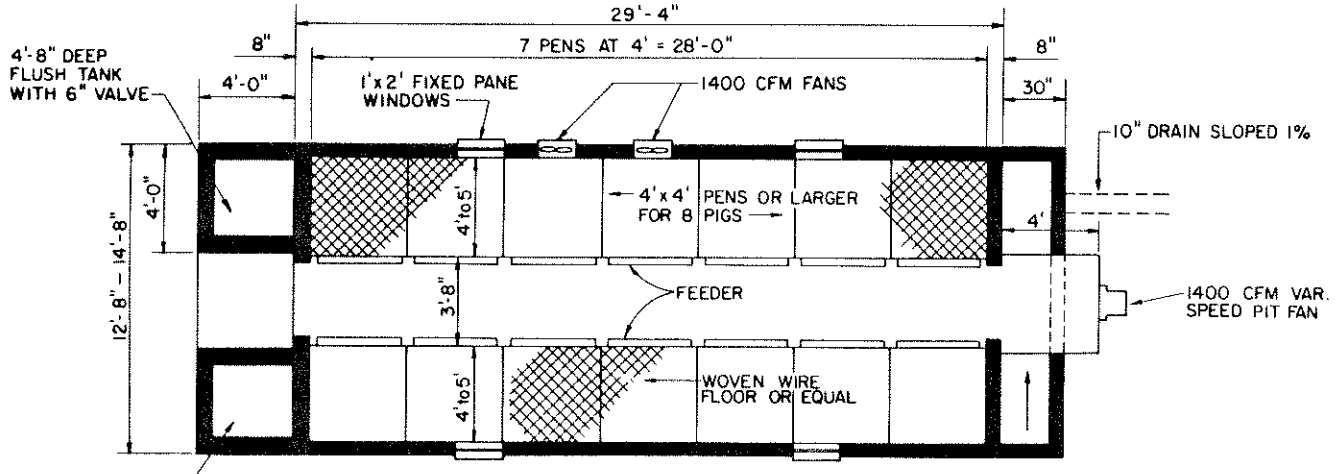


SPACE REQUIREMENTS	
TO 40 lb	2 SQ. FT./PIG
40 TO 50 lb	3 SQ. FT./PIG
50 TO 60 lb	4 SQ. FT./PIG

CONSTRUCT NURSERY ON 2% SLOPE

PIT VENTILATION NOTES

1. PIT FAN IS 1400 CFM VARIABLE SPEED CONTROLLED WITH A MANUAL MODULATOR.
2. PROVIDE 5 OPENINGS ON EACH SIDE OF PLENUM, SPACED 5'-4" O.C.
3. EACH OPENING 4" x 6-1/4".



FLOOR PLAN



COOPERATIVE EXTENSION SERVICE
AGRICULTURE AND HOME ECONOMICS

AND
UNITED STATES DEPARTMENT OF AGRICULTURE COOPERATING

PIG NURSERY, LITTER
SIZED PENS

NC '85	6370	SHEET 1 OF 1
--------	------	--------------