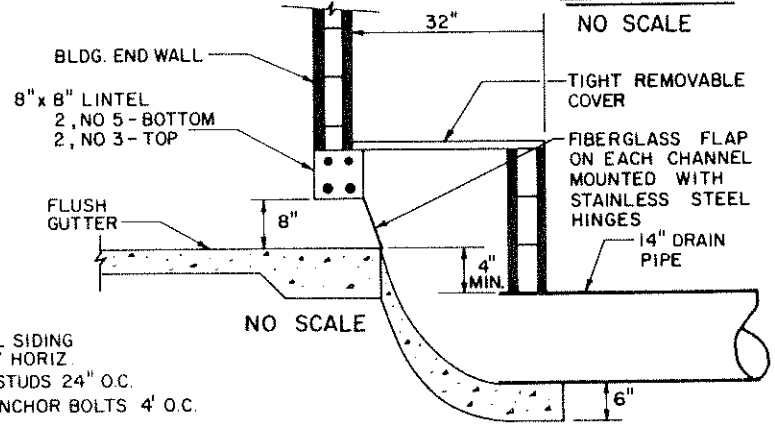
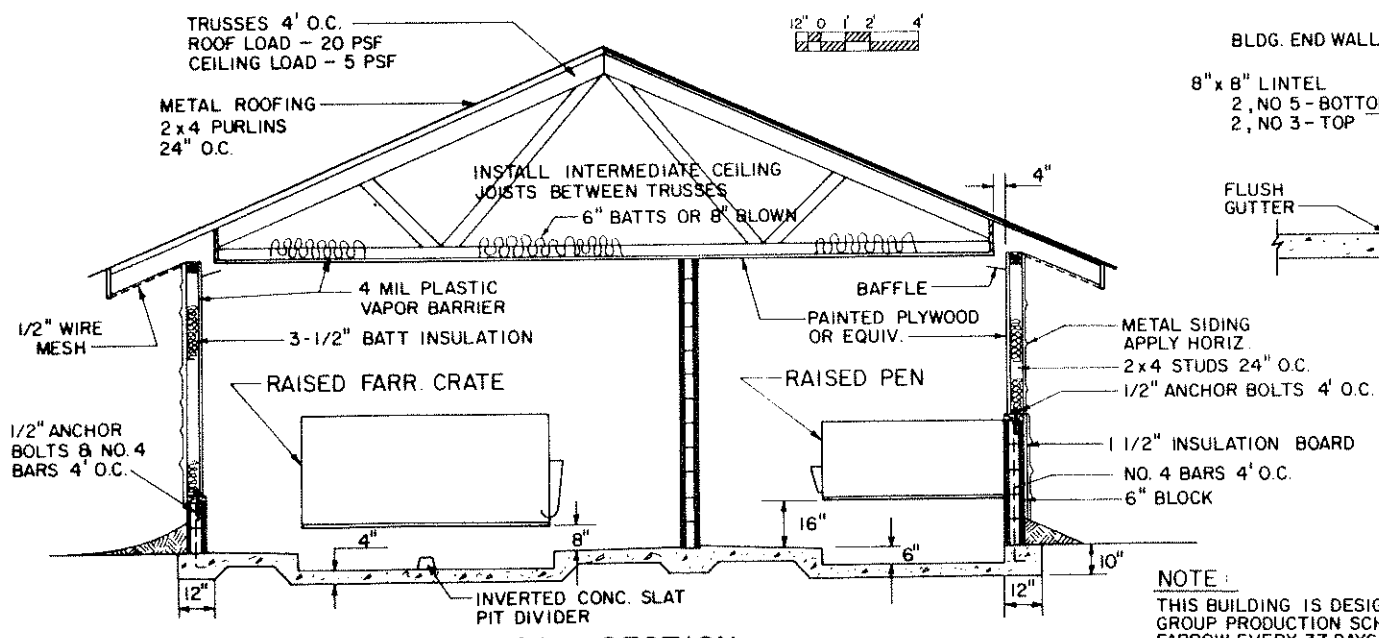


**FLOOR PLAN** - SLOPE BLDG 2%

**DUCT DETAIL**



**GUTTER DRAIN DETAIL**



**TYPICAL SECTION**

**NOTE:**  
THIS BUILDING IS DESIGNED FOR A FOUR GROUP PRODUCTION SCHEDULE. SOWS FARROW EVERY 37 DAYS AND PIGS ARE WEANED AT 30 DAYS OF AGE AND MOVED INTO NURSERY UNTIL 65 DAYS OF AGE.

COOPERATIVE EXTENSION SERVICE  
AGRICULTURE AND HOME ECONOMICS

AND  
UNITED STATES DEPARTMENT OF AGRICULTURE COOPERATING

**10 CRATE FARROWING AND NURSERY WITH RAISED PENS**

NC '85 6371 SHEET 1 OF 1