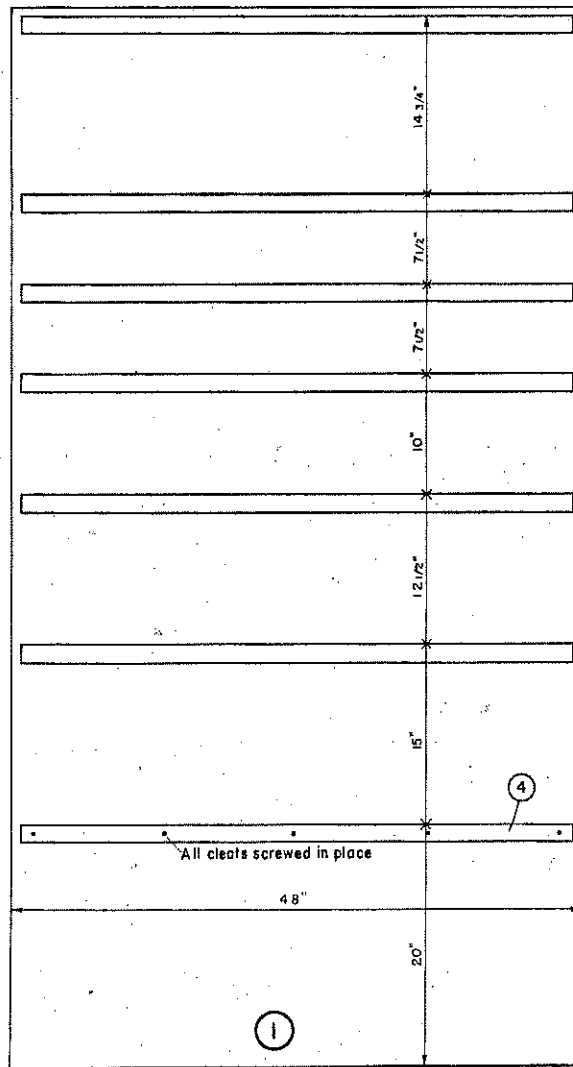
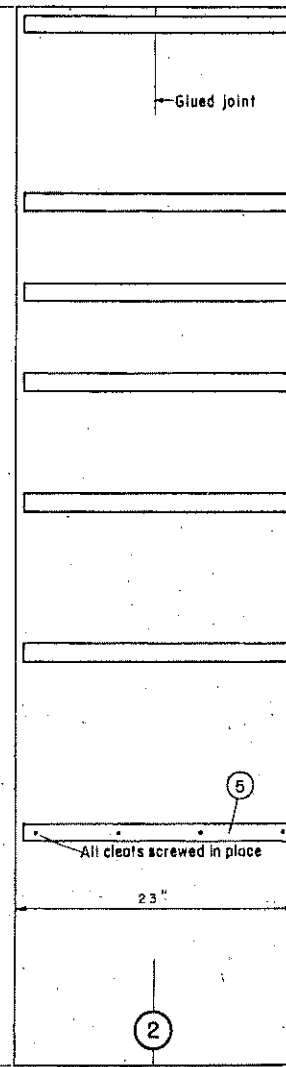


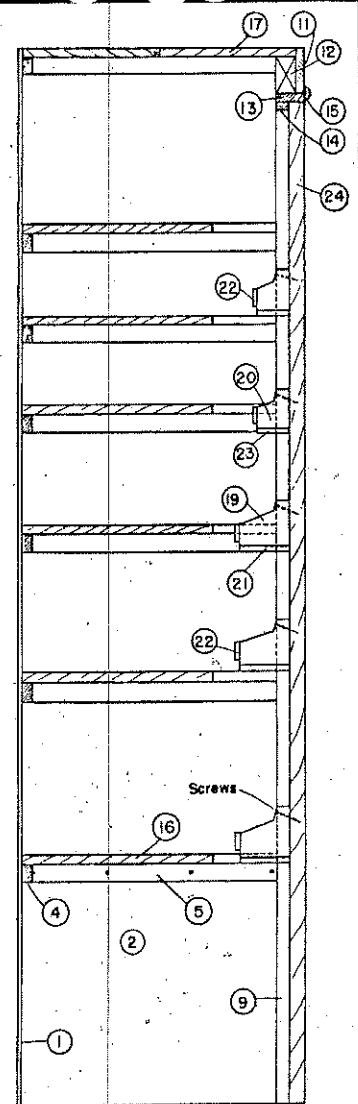
A FRONT



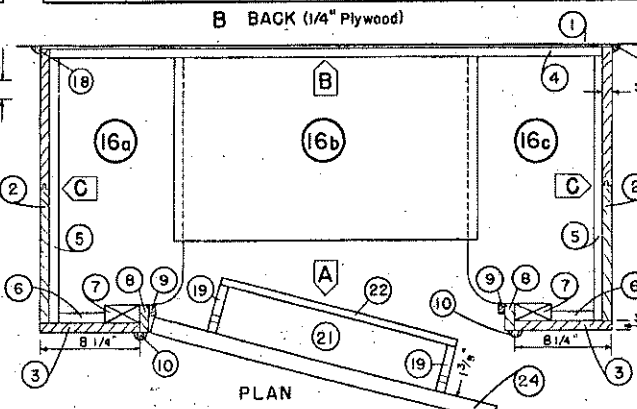
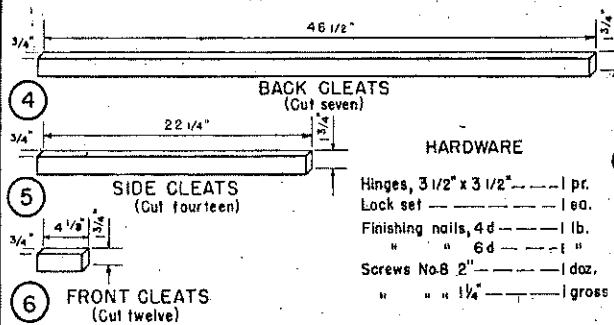
B BACK (1/4" Plywood)



C SIDES (Cut two)



SECTION



PLAN

Plywood 1/4" x 4'-0" x 8'-0" — 1 pc.
Molding 1" half-round — 17 lin. ft.
3/4" quarter-round — 15 "

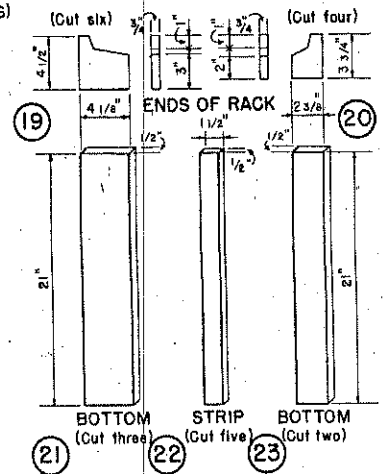
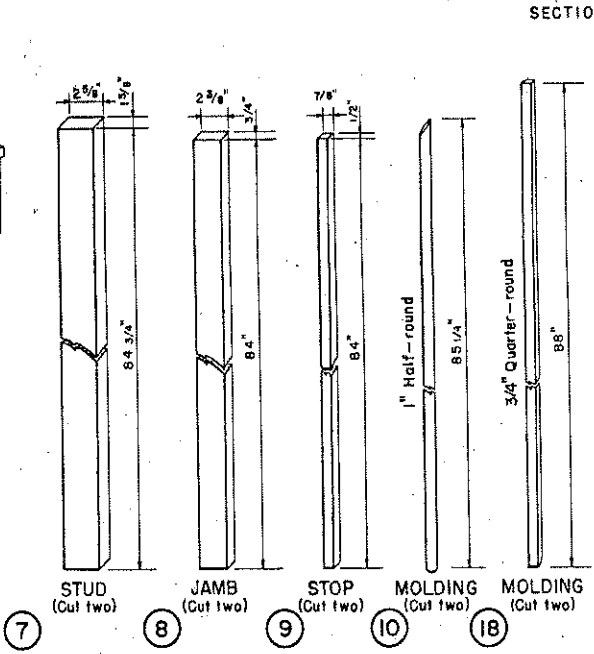
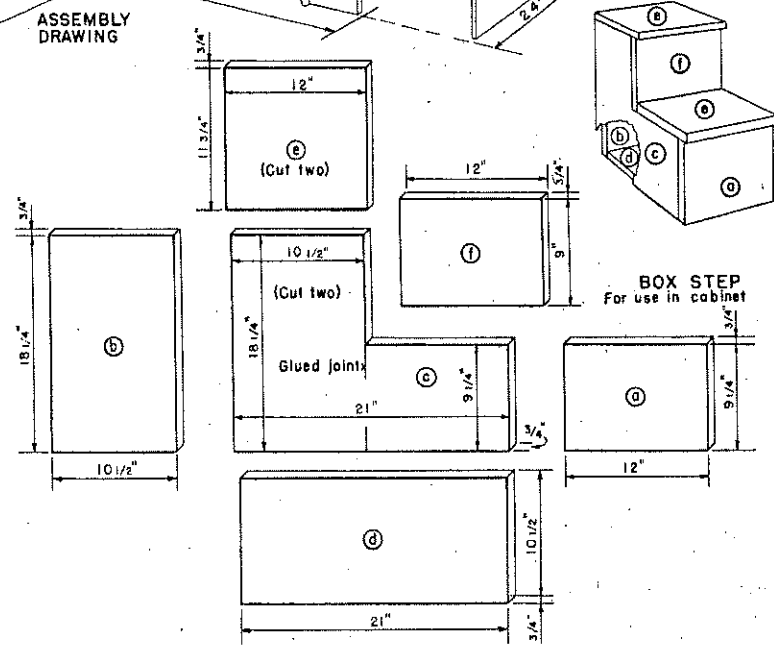
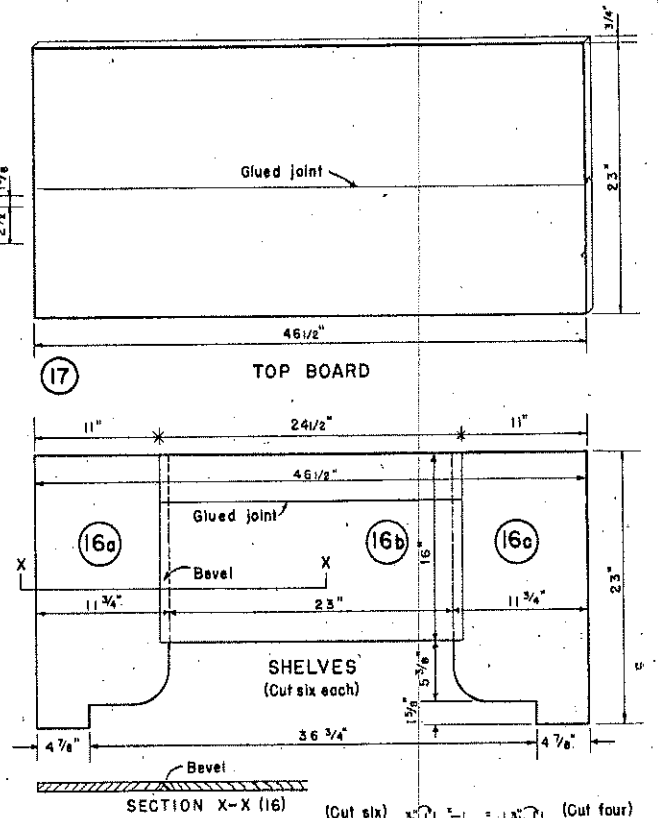
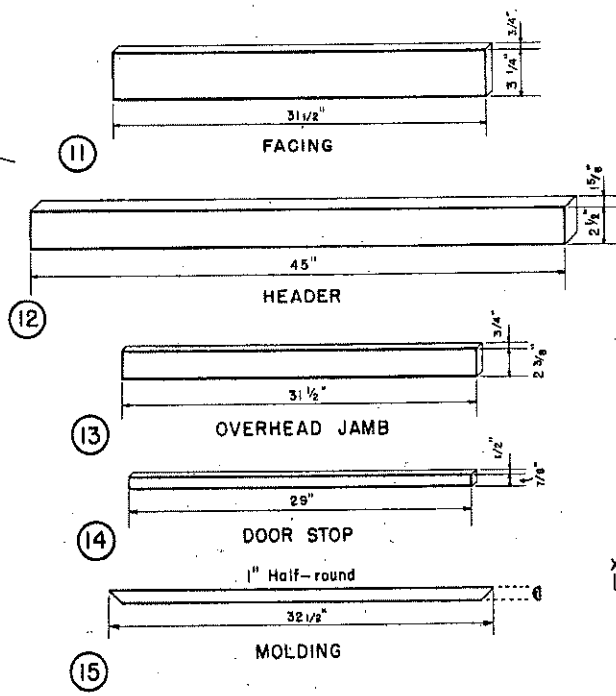
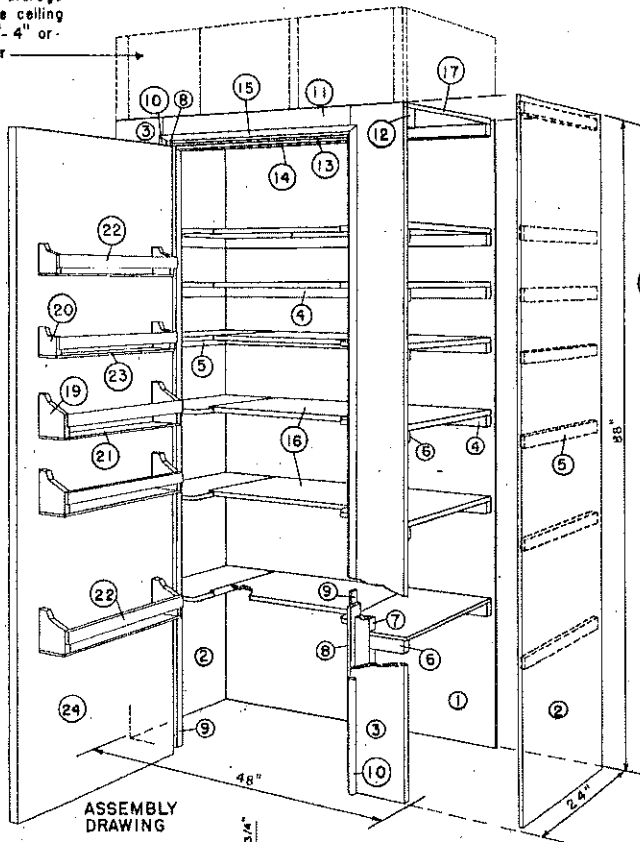
Door Flush panel, 2'-6" x 7'-0" — 1 ea.

COOPERATIVE EXTENSION WORK IN AGRICULTURE AND HOME ECONOMICS
STATE OF INDIANA
PURDUE UNIVERSITY
AND
UNITED STATES DEPARTMENT OF AGRICULTURE COOPERATING

STORAGE CABINET

USDA 47 EX. 7039 SHEET 1 OF 2
DESIGNED BY BUREAU OF HUMAN NUTRITION

Dead storage where ceiling is 8'-4" or higher



COOPERATIVE EXTENSION WORK IN
AGRICULTURE AND HOME ECONOMICS
STATE OF INDIANA
PURDUE UNIVERSITY
AND
UNITED STATES DEPARTMENT OF AGRICULTURE COOPERATING

STORAGE CABINET

USDA 47 EX 7039 SHEET 2 OF 2

DESIGNED BY BUREAU OF HUMAN NUTRITION AND HOME ECONOMICS, U.S.D.A.