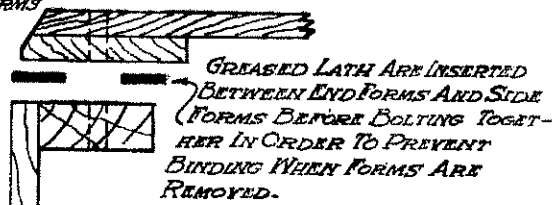
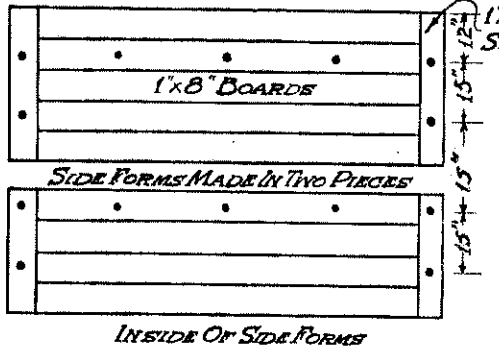
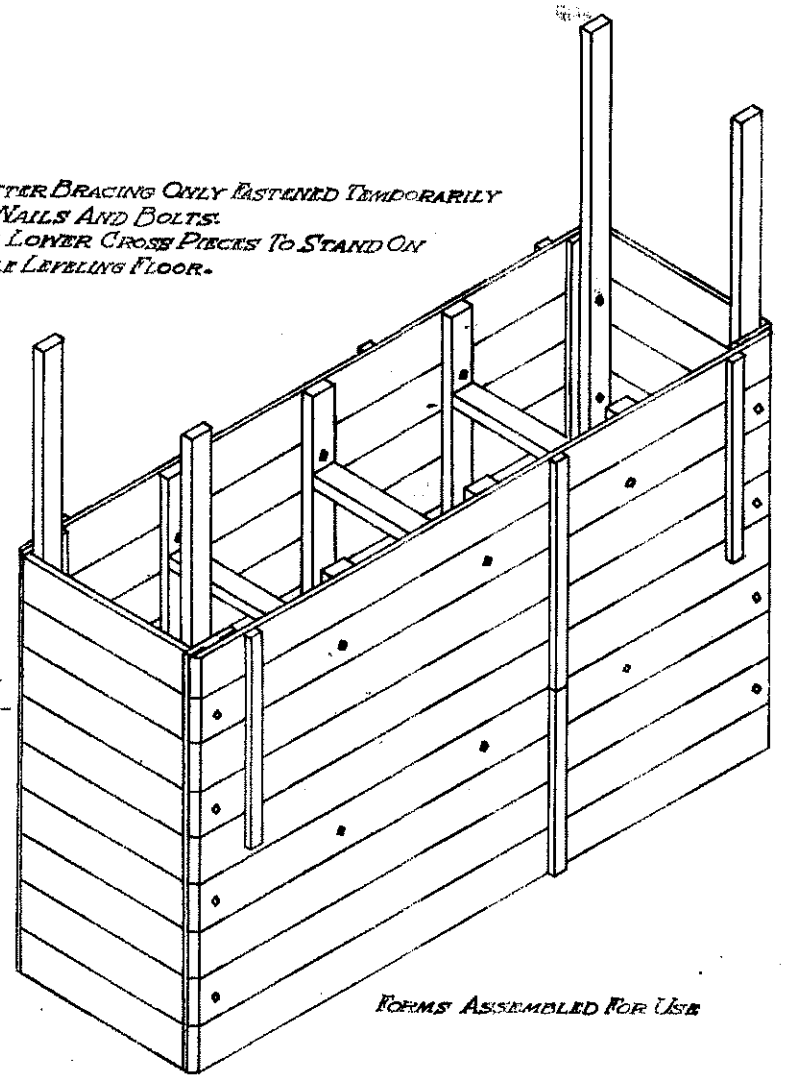
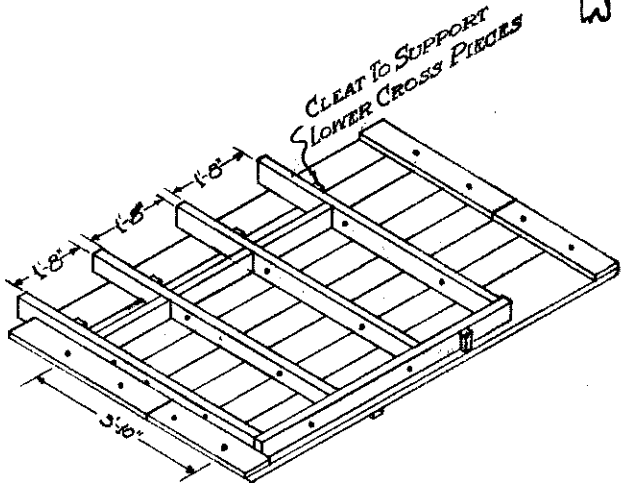
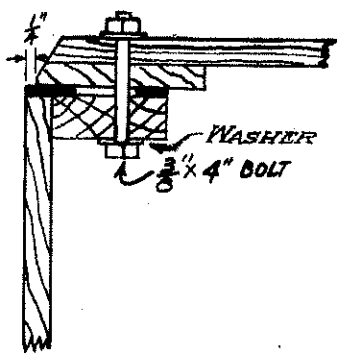


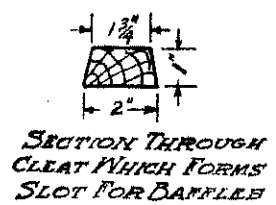
CENTER BRACING ONLY FASTENED TEMPORARILY BY NAILS AND BOLTS. USE LOWER CROSS PIECES TO STAND ON WHILE LEVELING FLOOR.



FORM DETAIL AT CORNER



LAY SIDE OF SEPTIC TANK FORM ON LEVEL SURFACE AND TEMPORARY FORMS FOR COVER SLABS CAN BE MADE FROM MATERIAL USED FOR BRACING AND 3 PIECES 2x4x20."



- BILL OF MATERIAL FOR FORMS**
- 18-1x8x12'-0"
  - 3-2x4x12'-0"
  - 6-2x4x10'-0"
  - 2-1x2x12'-0"
  - 2-1x6x12'-0"
  - 10-MACHINE BOLTS 3/8"x4"
  - 12-MACHINE BOLTS 3/8"x3"
  - 56-3/8" WASHERS
  - 12 LATH
  - 3 LBS. 8P. NAILS.

**COLLAPSIBLE SEPTIC TANK FORMS**

<p>NORTH DAKOTA AGRICULTURAL COLLEGE          U.S. DEPARTMENT OF AGRICULTURE COOPERATING          EXTENSION DIVISION          H. L. WALSTER - DIRECTOR          ACTS OF CONGRESS MAY 8 - JUNE 30 1914</p>	<p>PLAN          NUMBER          D-76-11</p>	<p>NORTH DAKOTA AGRICULTURAL COLLEGE          DEPARTMENT OF AGRICULTURAL ENGINEERING          DRAWN BY C.L.H. TRACED BY C.L.H.          SCALE - VARIOUS DATE - MAY 1930.</p>
---	--	--