

BILL OF MATERIALS

- 1 Pole 24'-0" long, average diam 6"
- 2 2-6"x6"x14'-0" runners
- 3 4-6"x6"x12'-0" base
- 4 4-4"x6"x8'-0" base brace
- 5 4-4"x6"x14'-0" uprights
- 6 8-2"x6"x14'-0" upright brace
- 7 4-6"x6"x3'-0"
- 8 2-6"x6"x2'-0" blocks
- 9 1-4"x6"x18'-0" boom brace
- 10 2-2"x6"x12'-0" "
- 11 2-2"x6"x6'-6" "
- 12 2-2"x6"x6'-6" "
- 13 1-4"x6"x26'-0" boom

HARDWARE

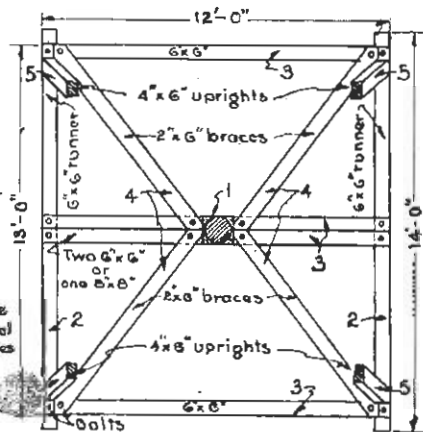
- 2- 3/8" x 4" x 18" wrought iron straps to have throatholes for 3/8" bolts spaced 6" on centers.
- 4- 3/8" x 4" x 8" wrought iron rubbing plates, two counter-sunk holes for 3/8" spikes at each end.
- 1- 3/8" x 10" diam. wrought iron base plate, to have hole in center for 1/2" dowel and four counter-sunk holes for spikes.
- 1- 3/8" x 12" x 12" wrought iron base plate to have hole in center for 1/2" dowel pivot and four counter-sunk holes one in each corner for spikes.
- 1- 3/8" x 4" wrought iron collar of a diameter to fit the pole at (B) to have four counter-sunk holes for spikes.
- 1- 3/8" x 8" wrought iron collar of a diameter to fit pole at (C) to have four holes for spikes.
- 2- 3/8" x 8" bolts.
- 28- 3/8" x 10" bolts.
- 24- 3/8" x 14" bolts.
- 3- 3/8" x 8" eye bolts.
- 5- lbs. 30" spikes.
- 104- 0.6 washers 2 1/2" diam.
- 80- Lin. feet 3/4" diam. rope

NOTE-Drawings provide for stacks of average height. Most may be made any length up to 50 feet.

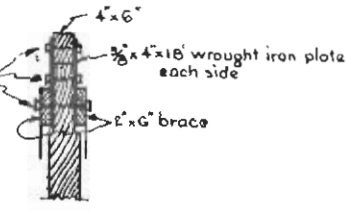
Capacity 2000 lb. hay load without upsetting. Counter weight suggested to facilitate turning.

If omitted the boom may be cut off 8 inches from mast and the irons at (A) should be a stirrup extending over top of boom. Poles may be used in place of sowed lumber.

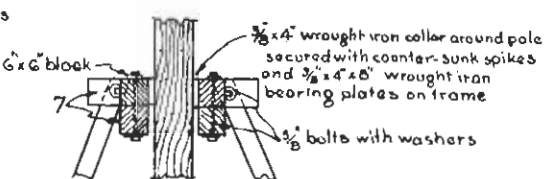
ELEVATION
Scale 1/2"=1'-0"



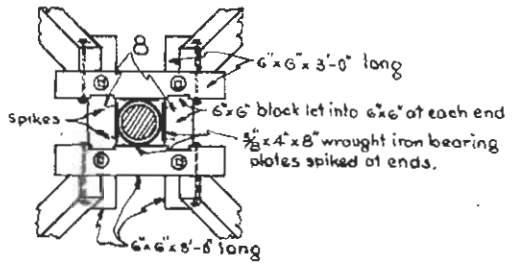
PLAN OF BASE
Scale 1/2"=1'-0"



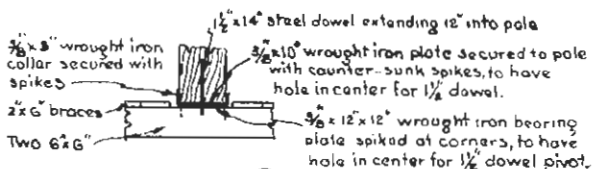
SECTION AT (A)
Scale 1/2"=1'-0"



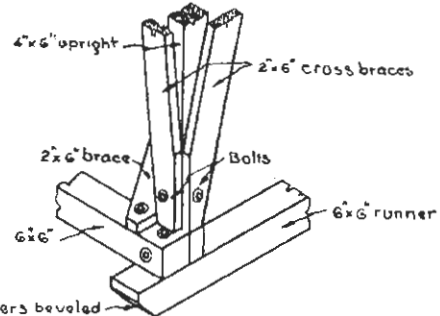
SECTION AT (B)
Scale 1/2"=1'-0"



PLAN AT (B)
Scale 1/2"=1'-0"



SECTION AT (C)
Scale 1/2"=1'-0"



DETAIL AT (D)
Scale 1/2"=1'-0"

U.S. DEPARTMENT OF AGRICULTURE	
BUREAU OF PUBLIC ROADS	
DIVISION OF AGRICULTURAL ENGINEERING	
HAY STACKER	
SHEET (1) OF (1) SHEETS	
SERIAL NO	
APPROVED S.H.McCRORY	
2011	